

Planmeca Proline CC pan/ceph/Dimax3



SPARE-PARTS MANUAL

Publication part number 688036

Version 13

Published 2005-02

En

This manual of spare-parts and subassemblies is for the Planmeca Proline CC X-ray.

Always check Planmeca technical bulletins for the latest information on part modifications and changes before ordering spare-parts. This spare-parts manual will be periodically updated to include these modifications and changes.

Planmeca pursues a policy of continual product development. Although every effort is made to produce up-to-date product documentation this publication should not be regarded as an infallible guide to current specifications. We reserve the right to make changes without prior notice.

COPYRIGHT PLANMECA HELSINKI FINLAND 2005

PUBLICATION PART NUMBER 688036 - VERSION 13

DATE ISSUED 2005-02

Chapter A	PLANMECA PROLINE CC PANORAMIC X-RAY	
1	COLUMN	A-2
1.1	Column and wall bracket	A-2
1.2	Z-motor	A-3
1.3	Counter weight	A-4
1.4	Column signal spiral cable, new	A-5
1.5	Column signal spiral cable, old	A-6
1.6	Main cable + spiral cable, new	A-7
1.7	Main cable + spiral cable, old	A-8
1.8	Exposure switch assembly	A-9
1.8.1	Exposure switch assembly, standard	A-9
1.8.2	Exposure switch assembly, USA version	A-10
2	Z-CARRIAGE	A-11
2.1	Z-carriage parts	A-11
2.2	On/Off switch assembly	A-12
3	LOWER SHELF	A-13
3.1	Lower shelf casting and pcb	A-13
3.2	Patient positioning mechanism and focal trough laser	A-14
3.2.1	Patient positioning mechanism parts 1	A-15
3.2.2	Patient positioning mechanism parts 2	A-16
3.2.3	Patient positioning mechanism parts 3	A-17
3.3	Cover and support holder	A-18
3.4	Chin supports	A-19
3.5	Control console	A-20
4	UPPER SHELF	A-21
4.1	Power supply and covers	A-21
4.2	Guide block assembly	A-22
4.3	Midsagittal plane laser	A-23
5	ROTATING UNIT	A-24
5.1	Rotating unit casting complete	A-24
5.1.1	Choke assembly	A-24
5.1.2	Rotating part cable harness	A-25
5.2	Pcb's	A-26
6	TUBE HEAD	A-27
6.1	Covers	A-27
6.2	Collimator assembly and tube head	A-28
7	CASSETTE CARRIAGE	A-29
7.1	Cover and frankfort laser	A-29
7.2	Cassette driving mechanism	A-30
7.2.1	AEC slide frame assembly	A-31
7.3	Cassette holder profile	A-32
7.4	Cassettes	A-33
7.4.1	Regular panoramic cassette, 15x30	A-33
7.4.2	Autoprint cassette, 15x30	A-34

Chapter B	PLANMECA PROLINE CC CEPHALOSTAT CA AND CM	
1	CEPHALOMETRIC UNIT	B-2
1.1	Arm, covers and lamp assembly, CA	B-2
1.2	Arm and covers, CM	B-3
1.3	Casing and attachment mechanism	B-4
1.4	Head support assembly (pages B-5 and B-6)	B-5
1.5	Ear post holder assemblies and nasal positioner holder assembly	B-6
1.6	Cassette holder, CA new ceph.	B-7
1.7	Cassette holder, CA	B-8
1.8	Cassette holder, CM new ceph.	B-9
1.9	Cassette holder, CM	B-10

2	PARTS TO PANORAMIC UNIT WITH CEPHALOSTAT	B-11
2.1	Column.....	B-11
2.2	Z-carriage.....	B-11
2.3	Upper shelf.....	B-12
2.4	Rotating unit.....	B-12
2.5	Tube head.....	B-12
2.6	Cassette carriage.....	B-13
	2.6.1 Cassette driving mechanism.....	B-14
	2.6.2 Cassette holder profile.....	B-15
	2.6.3 Cassettes.....	B-16

Chapter C TRANSVERSAL SLICING SYSTEM

1	HEAD SUPPORT	C-2
1.1	Jaw positioner holder	C-2
	1.1.1 Positioner body assembly.....	C-2
	1.1.2 Carriage assembly.....	C-3
1.2	Patient positioner assembly.....	C-4
2	OTHER PARTS	C-5
2.1	Column.....	C-5
	2.1.1 Wall bracket assembly.....	C-5
	2.1.2 Lower bracket assembly.....	C-5
2.2	Lower shelf.....	C-6
	2.2.1 Keyboard processor.....	C-6
	2.2.2 Support holder TR	C-6
	2.2.3 Patient positioning mechanism.....	C-7
2.3	Tube head.....	C-10
	2.3.1 Primary slots TR	C-10
2.4	Cassette carriage.....	C-10
	2.4.1 Secondary slots TR	C-10
	2.4.2 Secondary radiation protection plate	C-11
2.5	Rotating unit.....	C-11
	2.5.1 Generator processor software	C-11
2.6	Patient positioning system	C-12

Chapter D TRUE PROFILE TMJ

1	TRUE PROFILE TMJ PARTS	D-2
1.1	TMJ support complete	D-2
1.2	Keyboard processor PCB	D-3

Chapter E OPTIONAL FEATURES

1	FREE STANDING BASE	E-2
2	CALIBRATION TOOLS	E-3
3	TRANSPORTATION ACCESSORIES	E-4
4	CARRYING HANDLES	E-5
5	PM 240x300 CASSETTE CARRIAGE	E-6
	5.1 Cassette driving mechanism.....	E-7
	5.2 Cassette holder profile.....	E-8

Chapter F DIMAX3 AND DIMAX DIGITAL PANORAMIC SYSTEM

1	DIMAX3	F-2
1.1	Dimax3 Proline panoramic connector.....	F-3
1.2	Dimax3 Proline fixed panoramic connector.....	F-4
1.3	Dimax3 Proline fixed panoramic connector for pan/ceph units.....	F-5

1.3.1	Z-carriage	F-6
1.4	Panoramic unit with cephalostat	F-7
1.4.1	Dimax3 Proline cephalostat connector	F-7
1.4.2	Cephalostat mechanism	F-8
1.4.3	Cephalostat mechanism	F-9
1.4.4	Dimax3 Proline cephalostat sledges.....	F-10
1.4.5	Dimax3 Proline cephalostat 2nd primary collimator.....	F-11
1.4.6	Column	F-12
1.4.7	Z-carriage	F-12
1.4.8	Tube head.....	F-12
1.5	Dimax3 PCI interface cable.....	F-13
1.6	Keyboard processor PCB	F-14
1.7	Generator processor PCB.....	F-15
1.8	PC accessories	F-16
1.9	Dimax2 alignment tools.....	F-16
2	DIMAX	F-17
2.1	Optical fibre cable	F-17
2.2	Keyboard processor PCB	F-18
2.3	Upper shelf cover	F-19
2.4	Guide block assembly	F-20
2.5	Generator processor PCB.....	F-21
2.6	Sensor head.....	F-22
2.7	Ceph model sensor head	F-23
2.8	Transversal slicing system primary slots.....	F-24
2.9	PC accessories	F-25
2.10	Dimax alignment tools.....	F-25

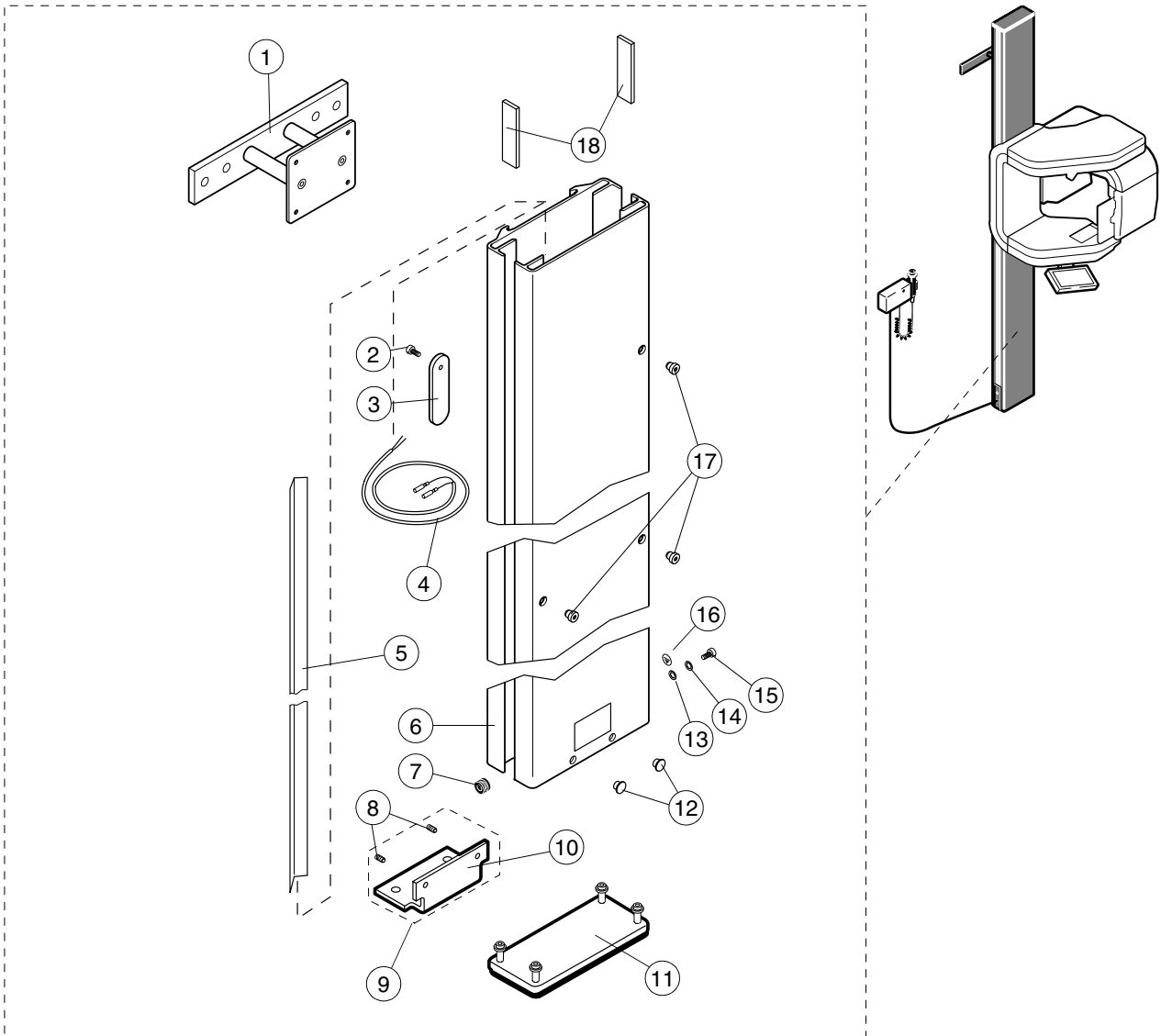
Chapter

A

PLANMECA PROLINE CC PANORAMIC X-RAY

1 COLUMN

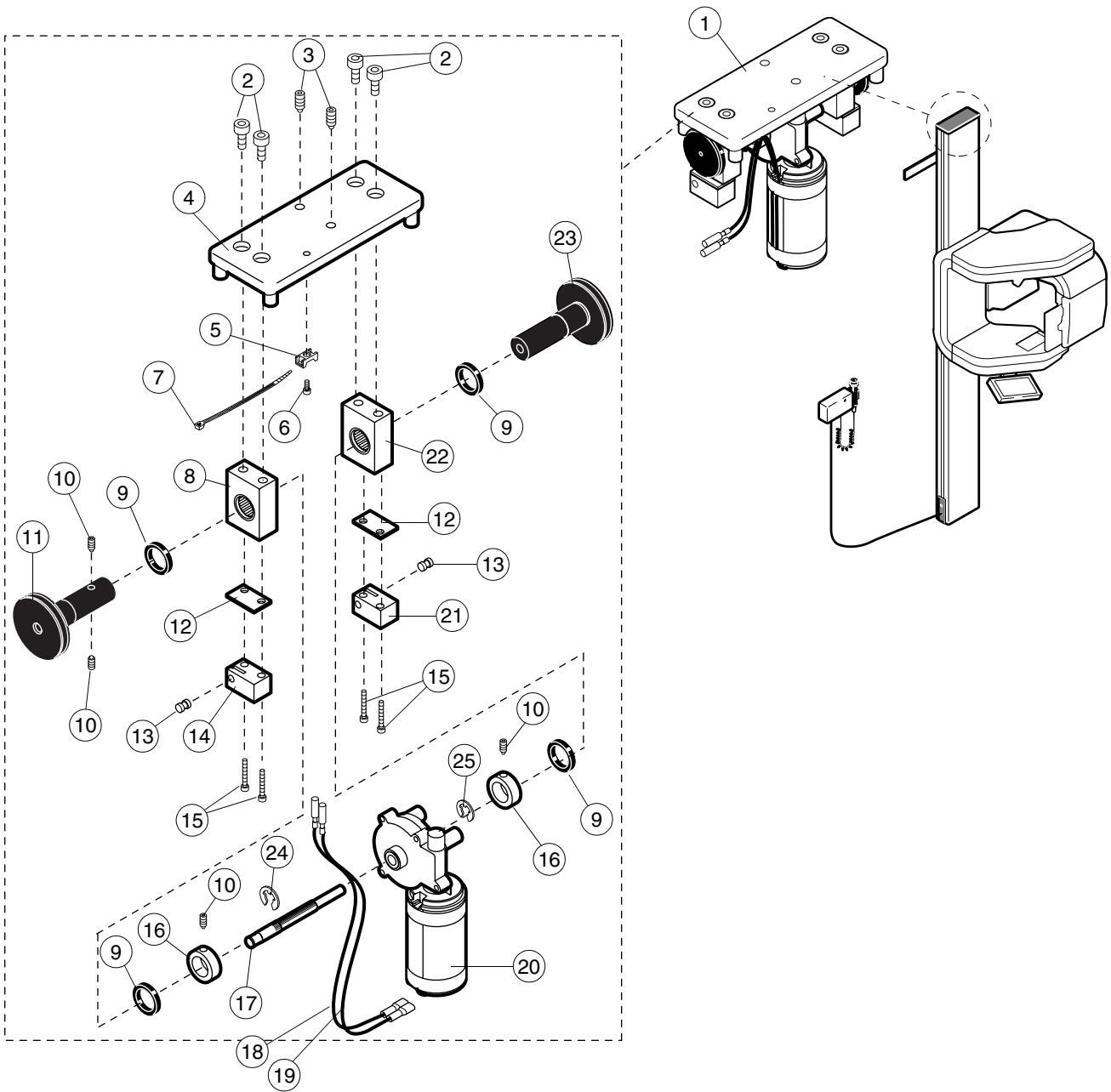
1.1 Column and wall bracket



Ref	Part no.	Description
1	00050123	Wall bracket assembly
2	00326025	Screw M4x5 DIN 7984
3	00006878	Cover plate
4A	00050848	Cable - length 2360mm
4B	00662100	Cable - length 2260mm (Japan)
5	00005999	Guide strip
6A	00005089	Column - length 2170mm
6B	00005087	Column - length 2070mm (Japan)
7	00001705	Grommet
8	00003141	Screw M6x6 DIN 916
9	00671037	Lower bracket assembly
10	00007498	Lower bracket
11	00050196	Base plate for column
12	00006552	Plug

Ref	Part no.	Description
13	00000400	Washer ø5.3/10x1 DIN 125A
14	00003244	Washer ø4.3 DIN 6798
15	00002922	Screw M4x8 DIN 912
16	00001530	Label LBL-XU-002
17	00665008	Stop magnet
18	00005463	Plate

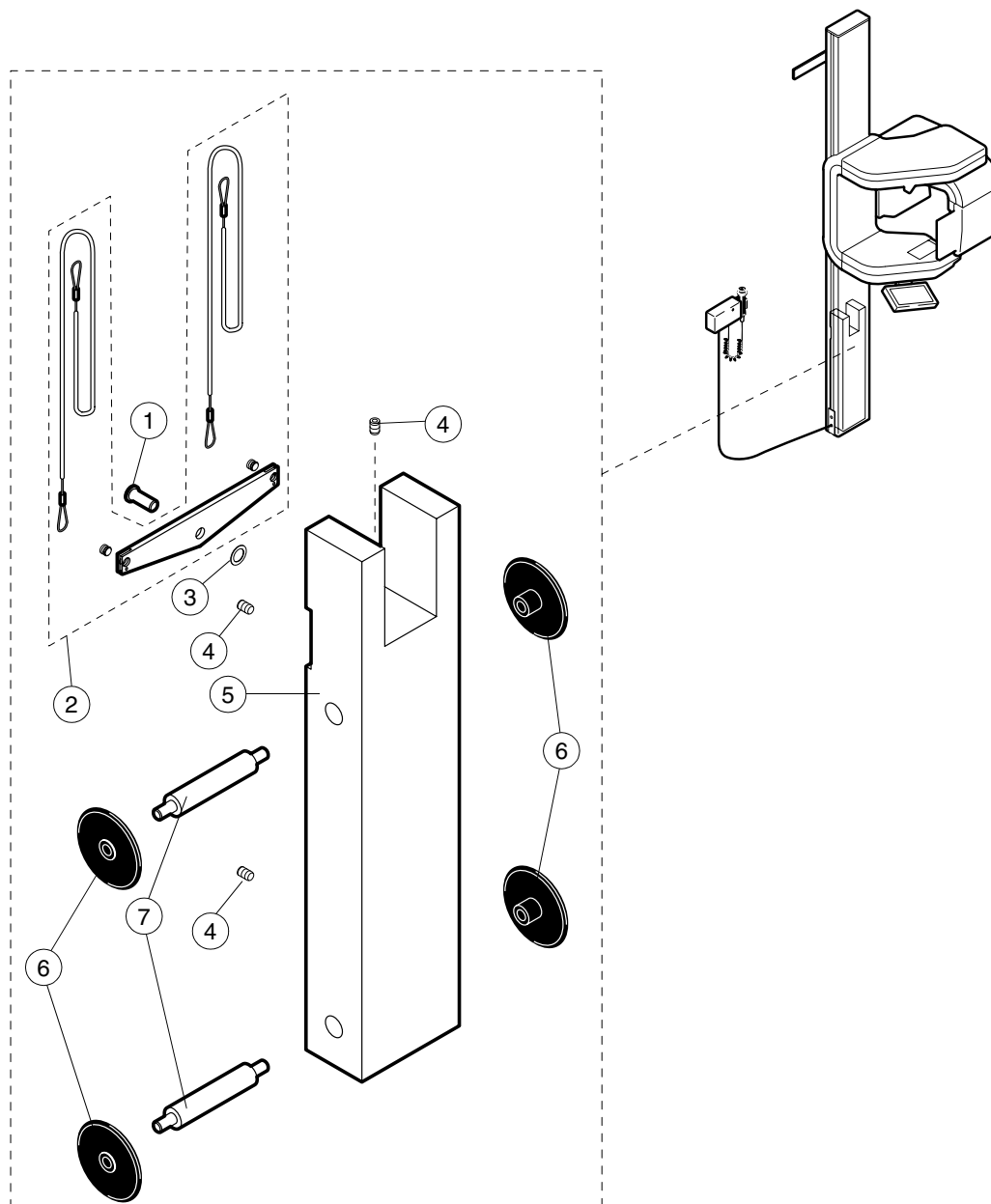
1.2 Z-motor



Ref	Part no.	Description
1	00665333	Z-motor complete
2	00003094	Screw M8x16 DIN 912
3	00003120	Screw M8x12 DIN 913
4	00005060	Top cover
5	00007016	Cable tie holder
6	00326015	Screw M4x6 DIN 7984
7	00001490	Cable tie
8	00655144	Bearing block, left
9	00005303	Washer
10	00005069	Screw M5x5 DIN 916
11	00005058	Pulley wheel
12	00005065	Anchor plate
13	00005712	Cable pin
14	00005067	Anchor block, left

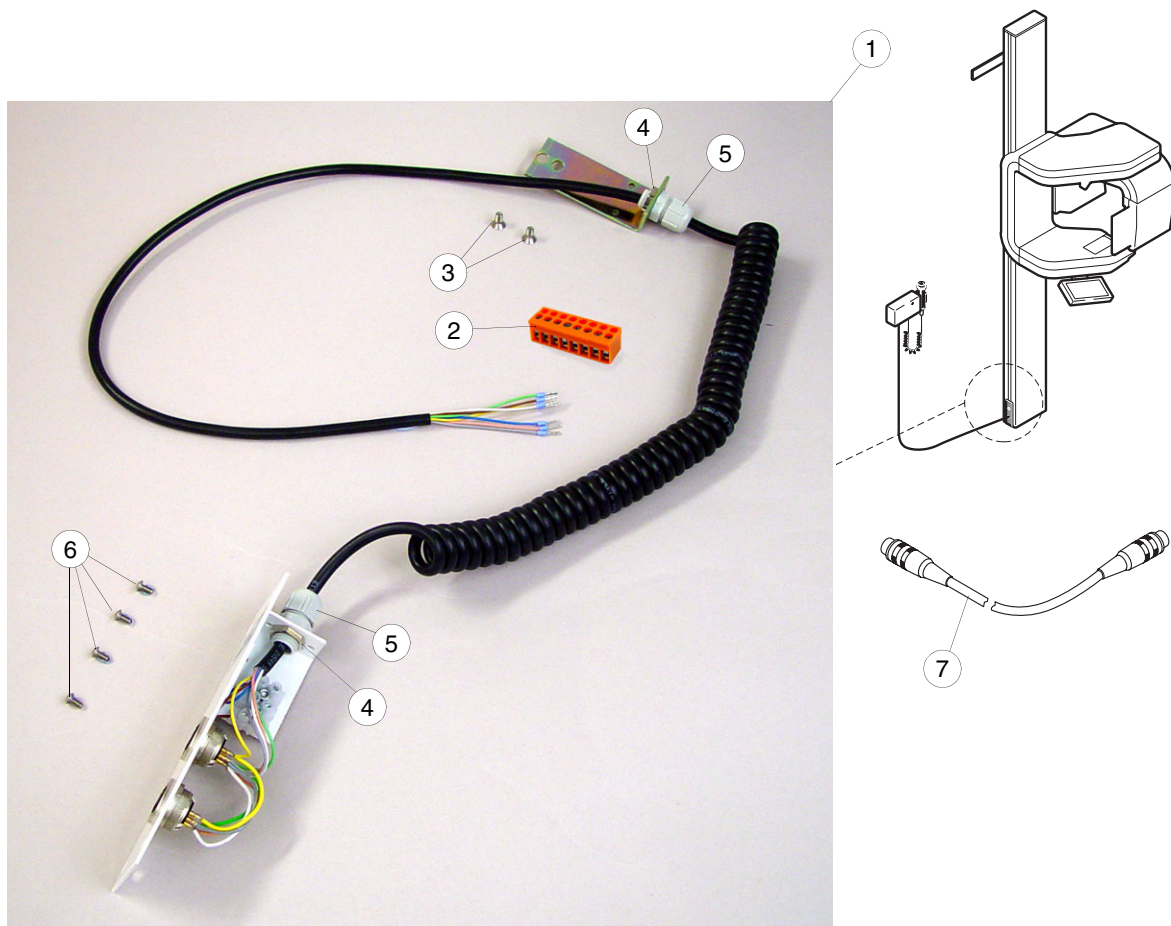
Ref	Part no.	Description
15	00007622	Screw M6x30 DIN 912
16	00005919	Collar
17	00652459	Z-axle
18	00637141	Z-motor cable, black
19	00637142	Z-motor cable, red
20	00431300	Z-motor ITT/SWF 0225GMPG 24V~
21	00005063	Anchor block, right
22	00005061	Bearing block, right
23	00005058	Pulley wheel
24	00327023	Lock washer A6 DIN 6799
25	00327020	Lock washer A5 DIN 6799

1.3 Counter weight



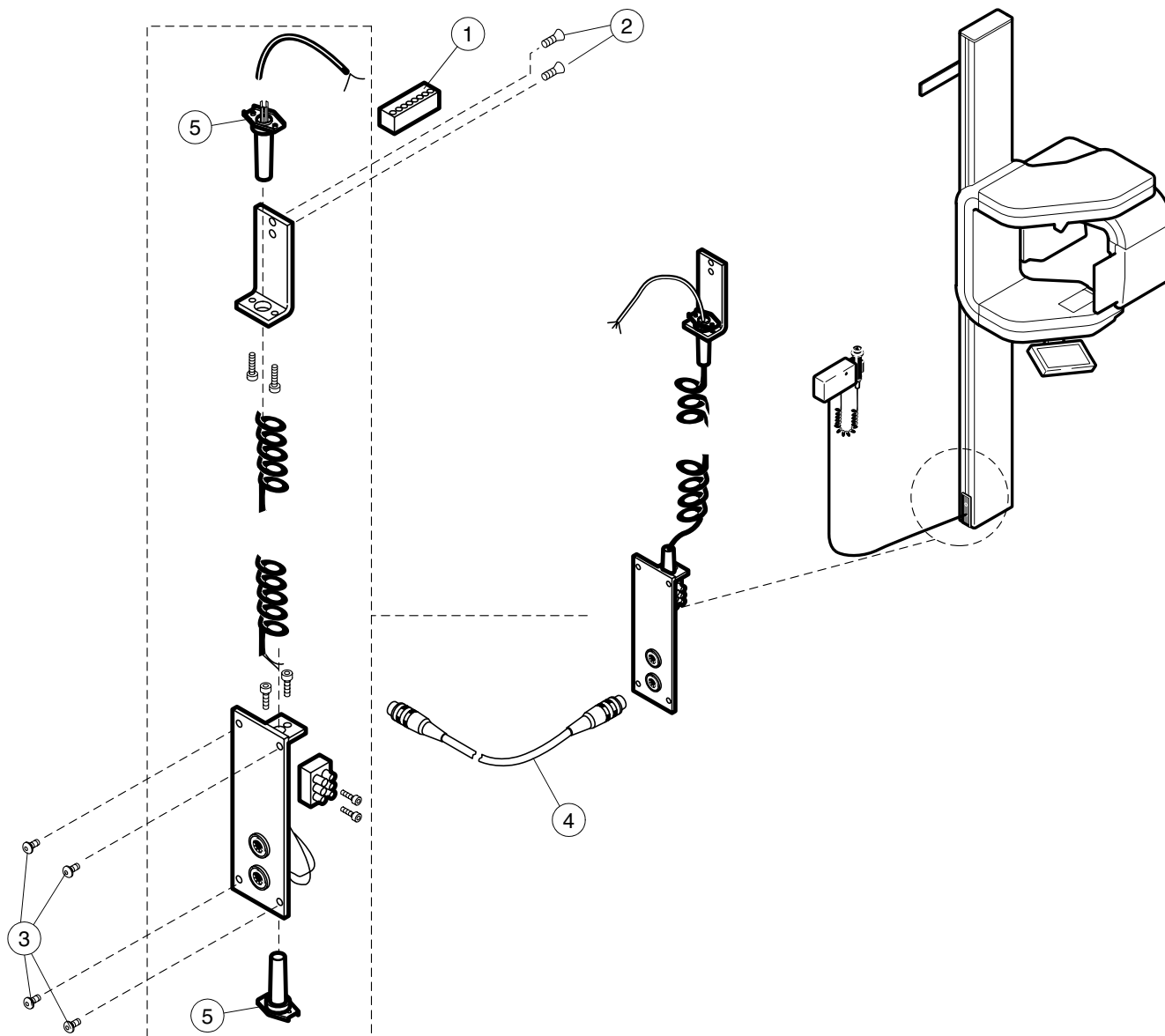
Ref	Part no.	Description
1	00005050	Pin
2A	00665002	Cable assembly - length 2135mm
2B	00665085	Cable assembly - length 1975mm (Japan)
3	00000717	Washer $\phi 12/18 \times 0.5$ DIN 988
4	00007451	Screw M8x12 DIN 913
5	00005054	Counter weight
6	00005051	Guide wheel
7	00005046	Axle

1.4 Column signal spiral cable, new



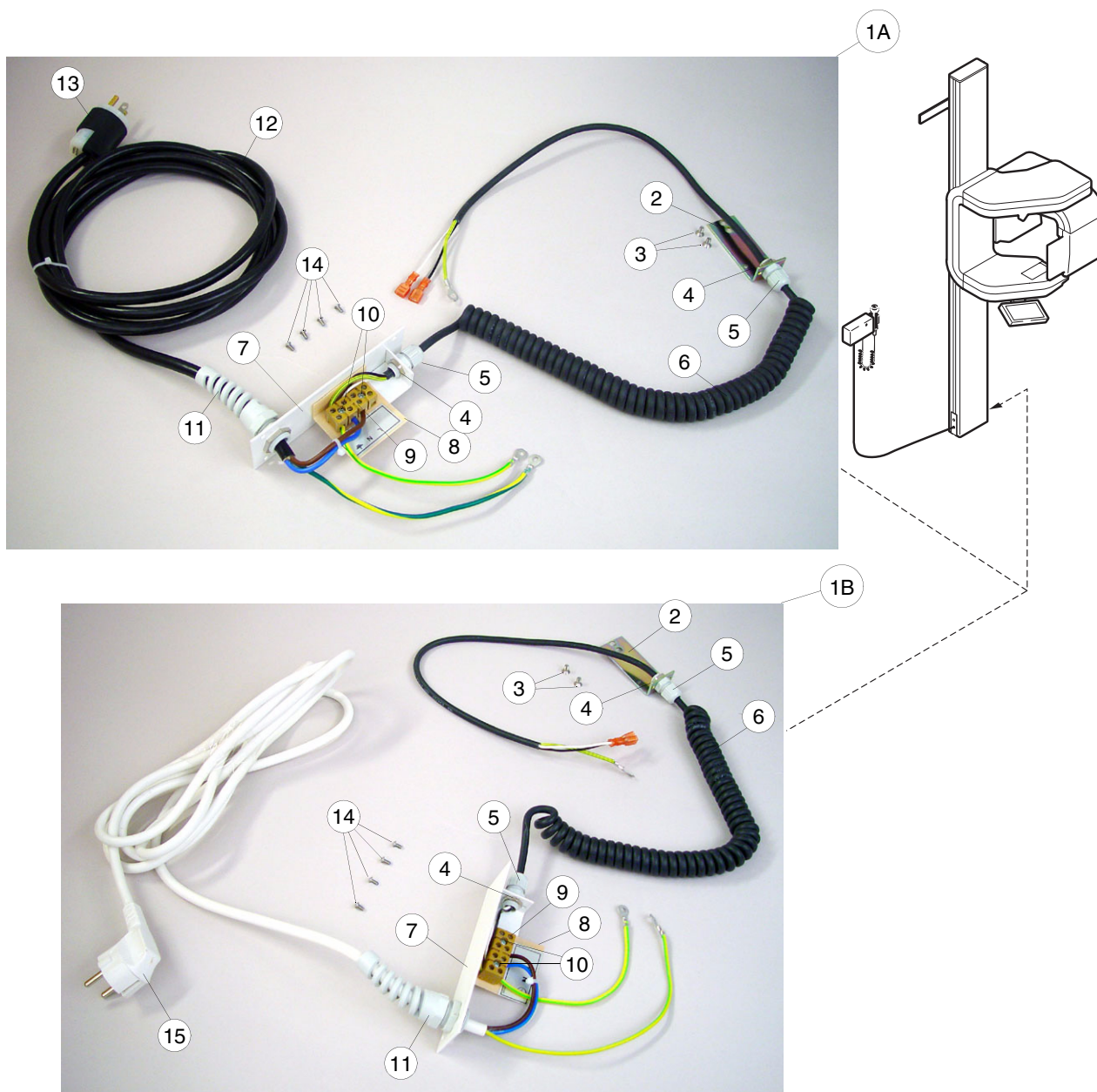
Ref	Part no.	Description
1	00050878	Column signal spiral cable assembly
2	00005412	Connector BLH-8
3	00003660	Screw M4x8 DIN 7991
4	10010225	Nut
5	10010226	Damper
6	00326039	Screw M3x6 ULS
7A	00050870	Autoprint cable 5m (female/female)
7B	00050871	Autoprint cable 10m (female/female)
7C	10010207	Autoprint cable 5m (male(female)
7D	10010208	Autoprint cable 10m (male/female)
7E	10010209	Autoprint cable 1.4m (male/female)
7F	00637128	Autoprint cable 50m (male/female)
7G	10010212	Autoprint cable 15m (male(female)

1.5 Column signal spiral cable, old



Ref	Part no.	Description
1	00005412	Connector BLH-8
2	00003660	Screw M4x8 DIN 7991
3	00326039	Screw M3x6 ULS
4A	00050870	Autoprint cable 5m (female/female)
4B	00050871	Autoprint cable 10m (female/female)
4C	10010207	Autoprint cable 5m (male/female)
4D	10010208	Autoprint cable 10m (male/female)
4E	10010209	Autoprint cable 1.4m (male/female)
4F	00637128	Autoprint cable 50m (male/female)
4G	10010212	Autoprint cable 15m (male/female)
5	00000949	Strain reliever

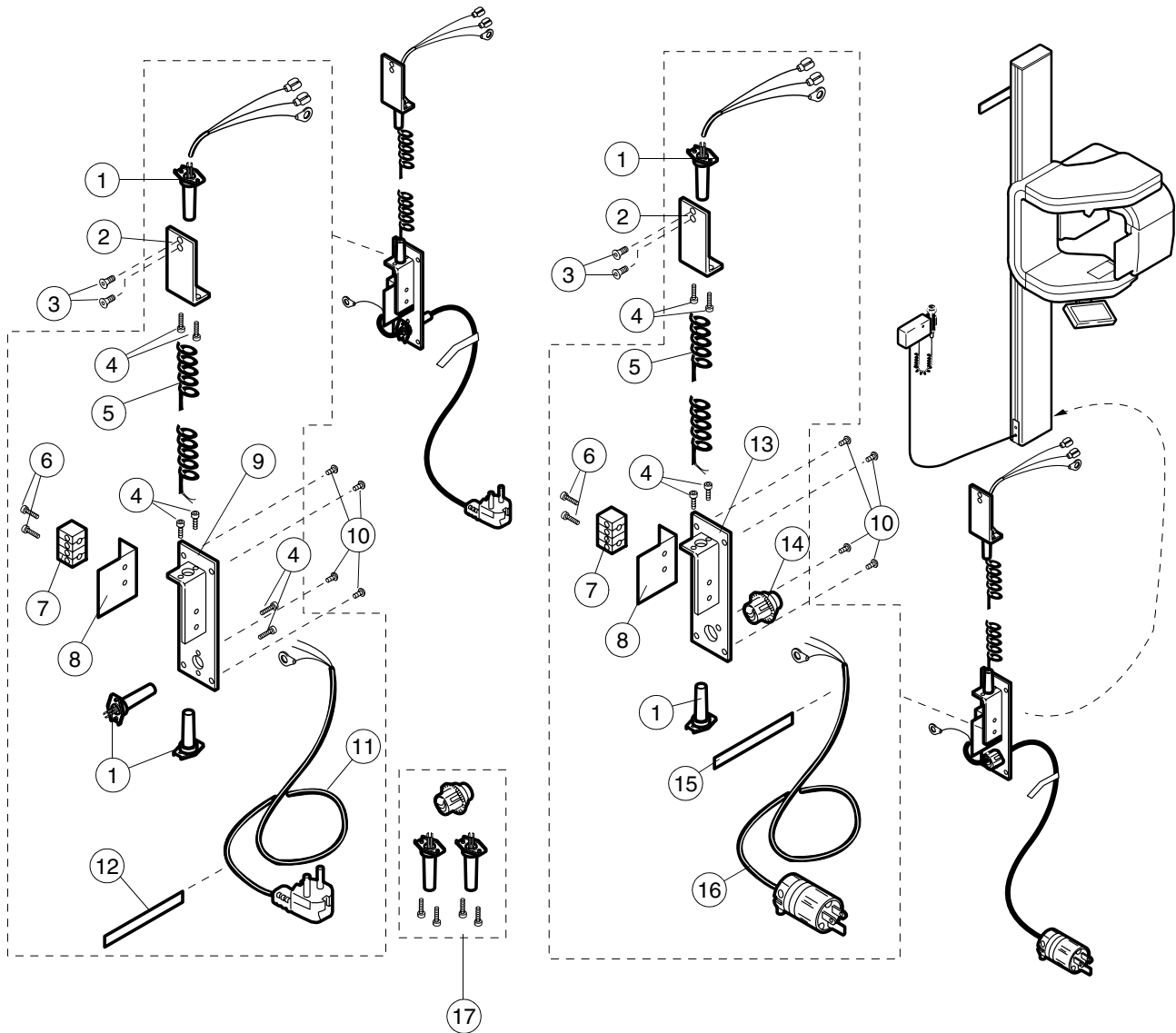
1.6 Main cable + spiral cable, new



Ref	Part no.	Description
1A	00050821	Main cable+spiral cable <u>100-220V~</u>
1B	00050820	Main cable+spiral cable <u>220-240V~</u>
2	00005085	Plate
3	00003660	Screw M4x8 DIN 7991
4	10010225	Nut
5	10010226	Damper
6	00006185	Black spiral cable 3x1
7	00005093	Cable plate
8	00006292	Insulation
9	00006277	Terminal block
10	00007011	Screw M3x14 DIN 7985
11	10006553	Damper
12	00006541	Cable 100-110V~
13	10004738	Power supply plug

Ref	Part no.	Description
14	00326039	Screw M3x6 ULS
15	10010254	Main cable 220-230V~

1.7 Main cable + spiral cable, old

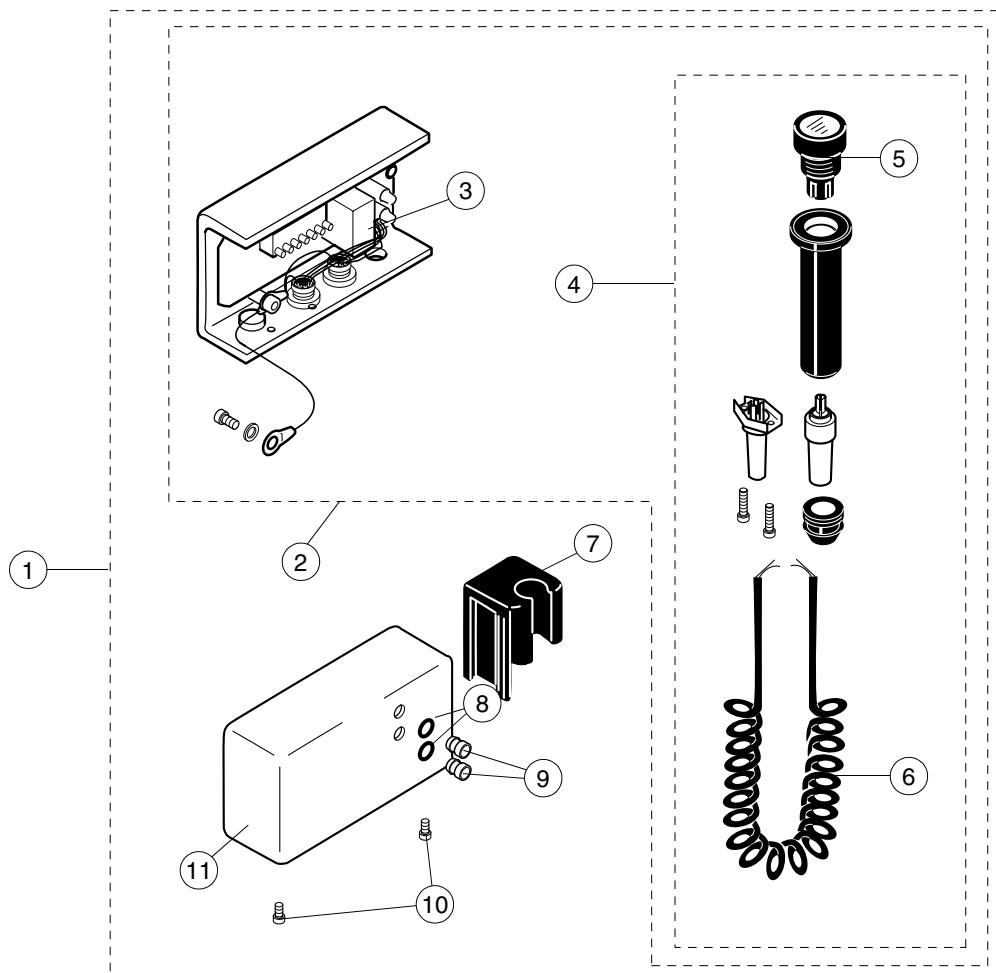


Ref	Part no.	Description
1	00000949	Strain reliefer
2	00005085	Plate
3	00003660	Screw M4x8 DIN 7991
4	00002798	Screw M3x20 DIN 84
5	00006185	Black spiral cable 3x1
6	00007011	Screw M3x14 DIN 7985
7	00006277	Terminal block
8	00006292	Plate
9	00005093	Cable plate
10	00326039	Screw M3x6 ULS
11	00000942	Main cable 220-240V~
12A	00001039	Label 220-230V~ (LBL-X-009A)
12B	00001040	Label 240V~ (LBL-X-010)
13	00007265	Cable plate

Ref	Part no.	Description
14	00007234	Strain reliefer
15A	00001039	Label 220V~ (LBL-X-009)
15B	00001030	Label 117V~ (LBL-X-008)
15C	00007131	Label 100V~ (LBL-X-007)
16	00471002	Cable 100-117V~
17	00471003	Strain reliefer set

1.8 Exposure switch assembly

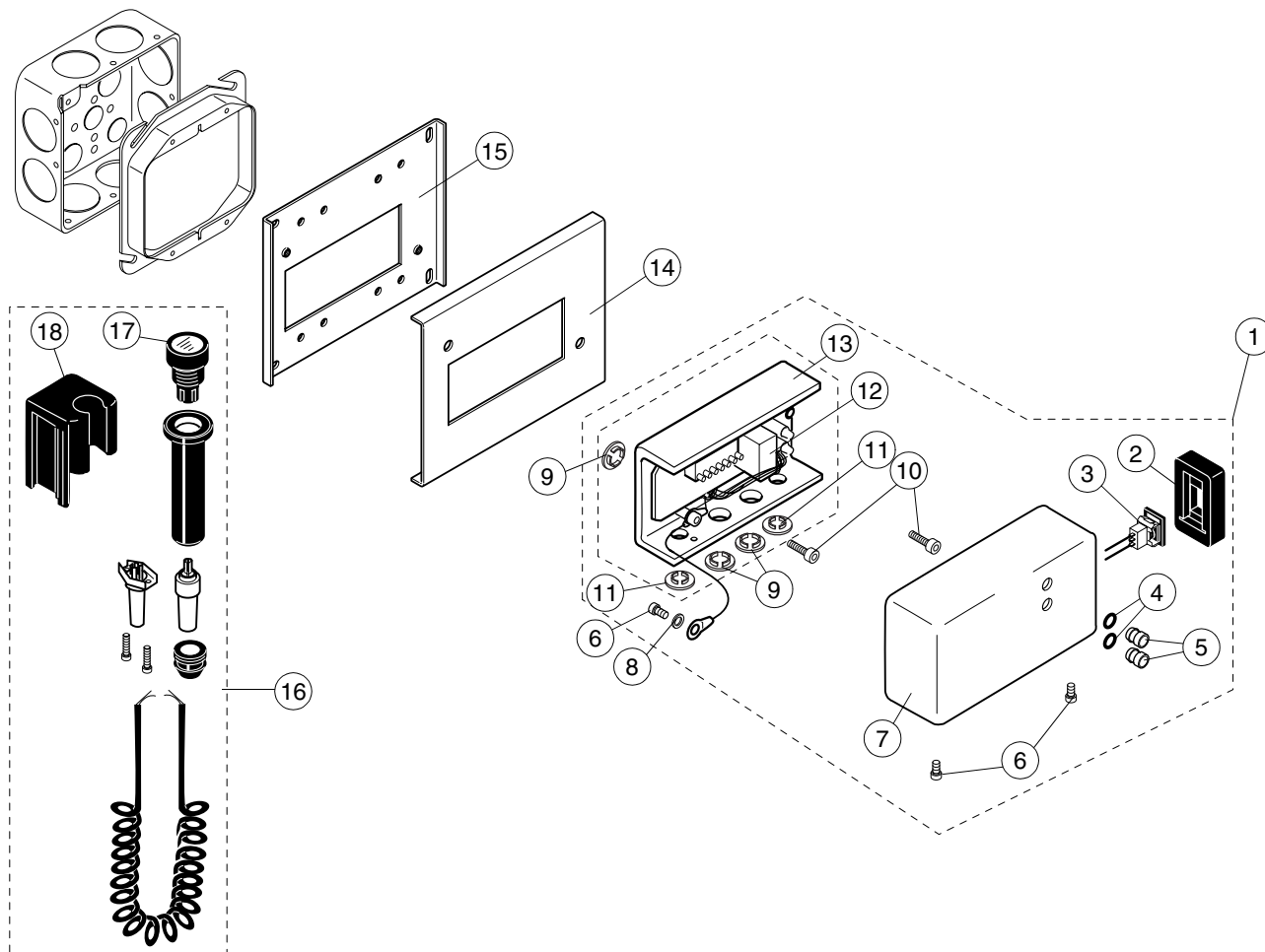
1.8.1 Exposure switch assembly, standard



Ref	Part no.	Description
1 ¹	00665093	Exposure switch assembly
2	00050877	Exposure switch frame assembly
3	00637007	Exposure control PCB
4	00471014	Exposure switch cable assembly
5	00438031	Switch assembly EA0 14.131
6	00006184	Spiral cable (cable only)
7	00650002	Switch holder
8	00524003	O-ring ø5.3x2.4
9	00006543	Led sleeve HLMP0103
10	00326018	Screw M3x6 DIN 912
11	00657001	X-ray remote control cover

1. See page A-10 for Exposure Switch Assembly, USA version

1.8.2 Exposure switch assembly, USA version

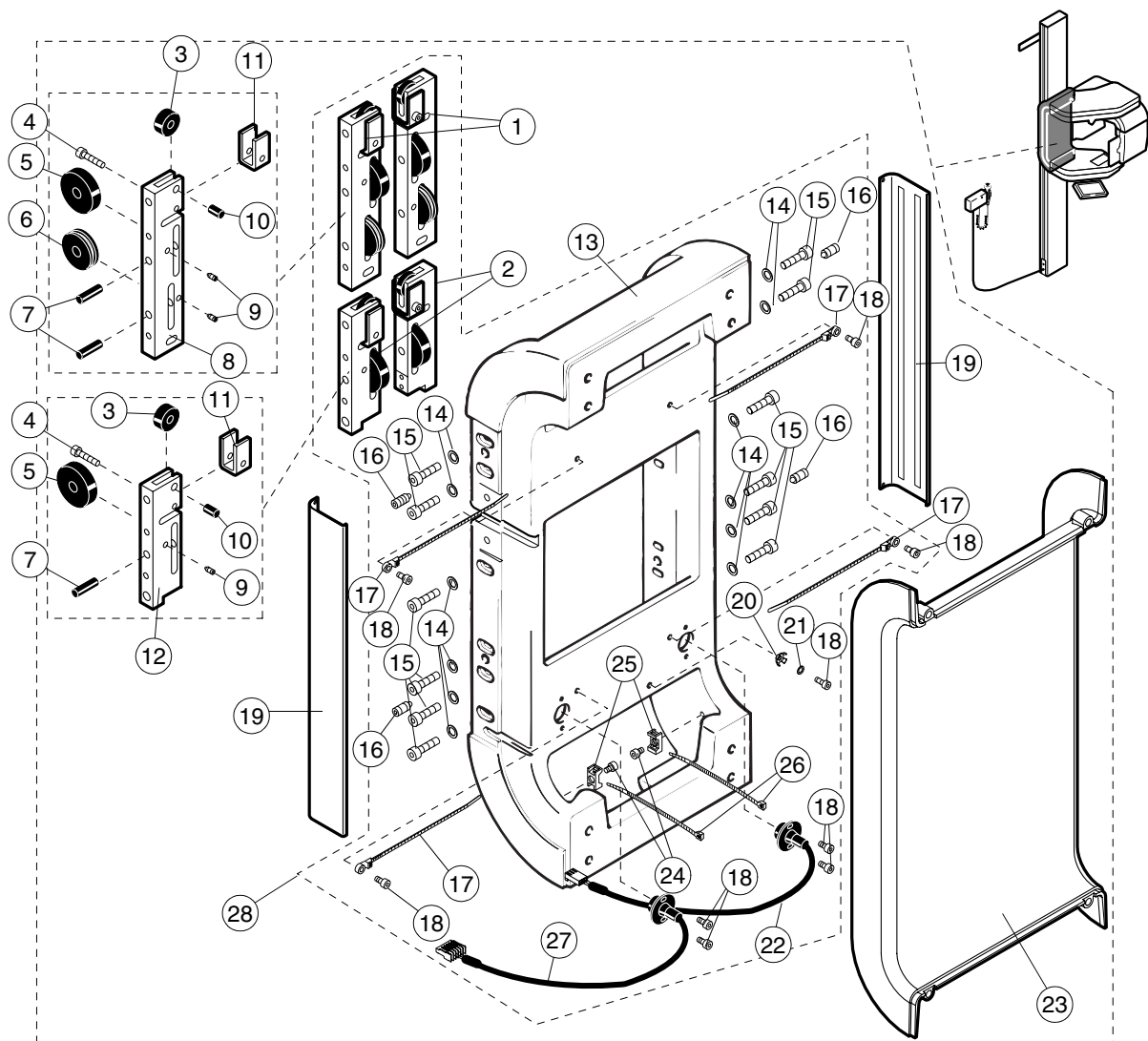


Ref	Part no.	Description
1	00665159	Exposure switch assembly, USA
2	00652520	Switch rubber
3	00637130	Switch
4	00524003	O-ring ø5.3x2.4
5	00436008	Led sleeve
6	00326018	Screw M3x6 DIN 912
7	00657001	X-ray remote control cover
8	00003242	Washer ø3.2 DIN 6798
9	00652497	Plug, big
10	00006807	Screw M4x12 DIN 7984
11	00652498	Plug, small
12	00637007	Exposure control PCB
13	00637129	Exposure switch base USA
14	00655103	Adapter upper plate

Ref	Part no.	Description
15	00655102	Adapter lower plate
16	00471026	Exposure switch assembly kit, USA
17	00438031	Switch assembly EAO 14.131
18	00650002	Switch holder

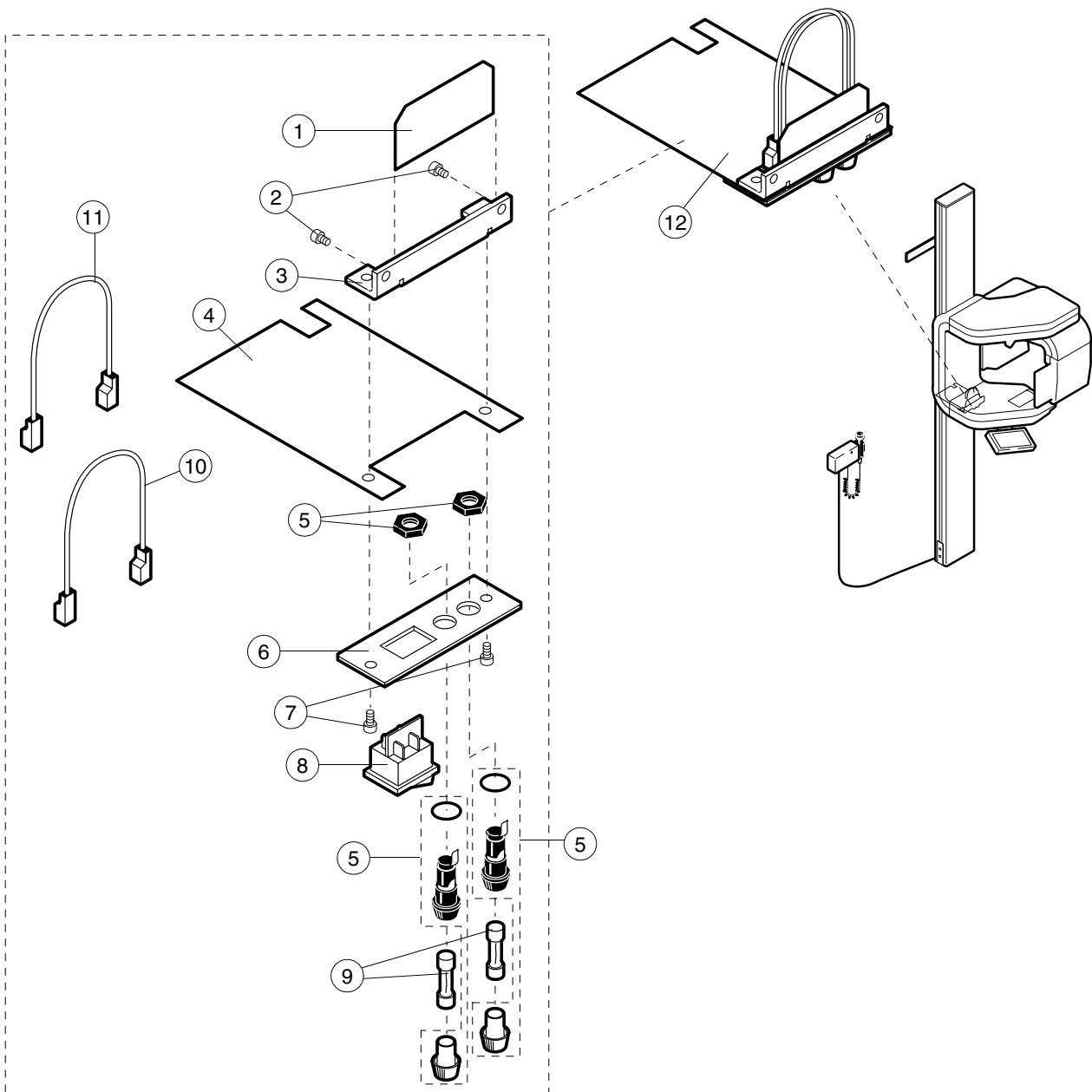
2 Z-CARRIAGE

2.1 Z-carriage parts



Ref	Part no.	Description	Ref	Part no.	Description
1	00669000	Upper carriage guide (supplied in pairs)	15	00005081	Screw M6x16 DIN 7984
2	00669001	Lower carriage guide (supplied in pairs)	16	00003120	Screw M8x12 DIN 913
3	00671012	Guide roller	17	00371003	Cable tie
4	00002430	Screw M4x20 DIN 7985	18	00326026	Screw M4x8 DIN 7984
5	00005076	Guide roller	19	00005386	Cover strip+tape (not ceph.)
6	00005079	Pulley wheel	20	00001559	Contact washer
7	00005078	Guide roller axle	21	00003244	Washer ø4.3 DIN 6798
8	00005075	Upper adjusting support	22	00050849	Z-motor limit switch
9	00003545	Screw M4x4 DIN 916	23	00655020	Cover
10	00005077	Axle	24	00326015	Screw M4x6 DIN 7984
11	00005856	Lock piece	25	00007016	Cable tie holder
12	00005083	Lower adjusting support	26	00001490	Cable tie
13	00655025	Z-carriage frame	27	00637140	Z-motor optional limit switch
14	00003001	Washer ø6.4/ø12.5 DIN 125	28	00665000	Z-carriage assembly (Includes ON/OFF switch assembly, code 00665039, see page A-12)

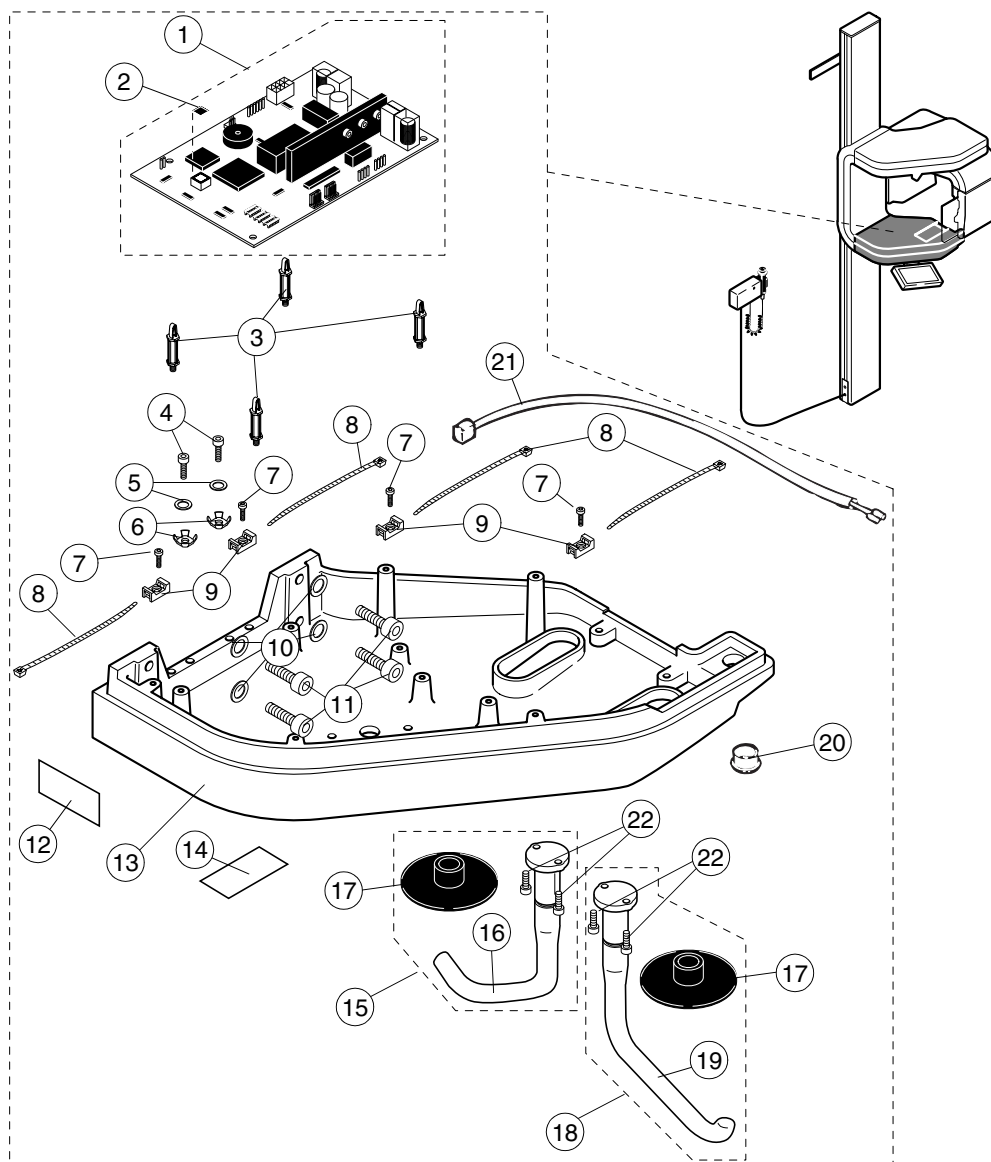
2.2 On/Off switch assembly



Ref	Part no.	Description
1	00653029	Switch insulation (small)+tape (code 12001)
2	00326015	Screw M4x6 DIN 7984
3	00005922	Bracket
4	00006293	Switch insulation (large)
5	00006357	Fuse holder-complete
6	00005384	Switch plate
7	00326026	Screw M4x8 DIN 7984
8	00006049	Switch
9A	00006319	Fuse 100-110V~ 15AT (USA, Japan)
9B	00001821	Fuse 220-240V~ 8AT
10	00050832	Connecting cable (brown)
11	00050831	Connecting cable (blue)
12	00665039	ON/OFF switch assembly

3 LOWER SHELF

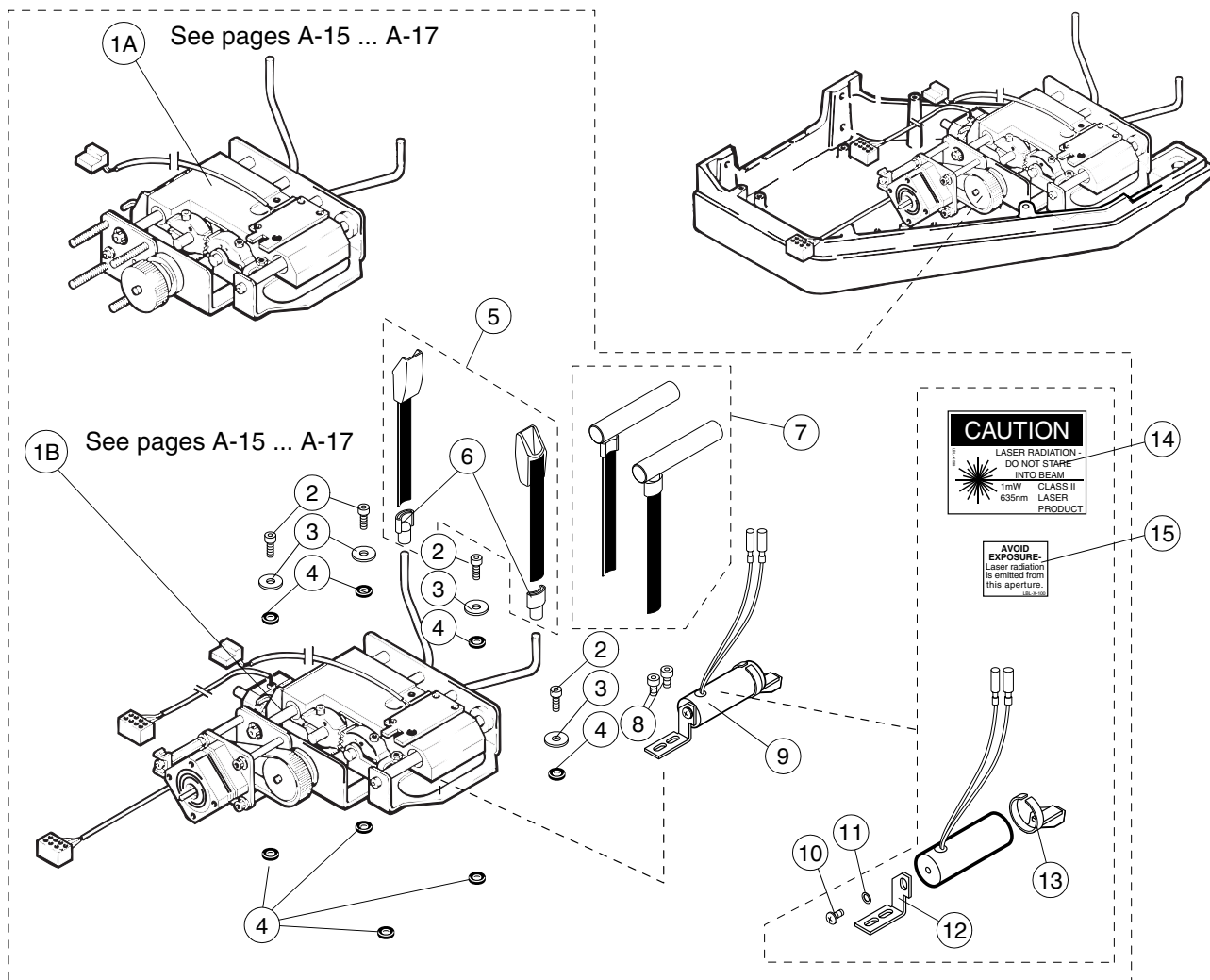
3.1 Lower shelf casting and pcb



Ref	Part no.	Description
1	00665070	Keyboard processor PCB 105-10-06
2	00471087	Software (PK 3.75 or later with AEC)
3	00006272	PCB holder
4	00006807	Screw M4x12 DIN 7984
5	00003244	Washer ø4.3 DIN 6798
6	00001559	Ground washer
7	00326230	Screw Ejot DG WN1552 4x6
8	00001490	Cable tie
9	00007016	Cable tie holder
10	00003003	Washer ø8.4/ø17 DIN 125
11	00007050	Screw M8x35 DIN 912
12	00007510	Label (LBL-X-011)

Ref	Part no.	Description
13	00655027	Lower shelf
14	00007508	Label (LBL-X-012)
15	00671027	Patient handle assembly (right)
16	00655097	Patient handle (right)
17	00006672	Rubber of handle
18	00671028	Patient handle assembly (left)
19	00655096	Patient handle (left)
20	00624001	Plug
21	00050829	Layer light cable
22	00007327	Screw M4x12 DIN 912

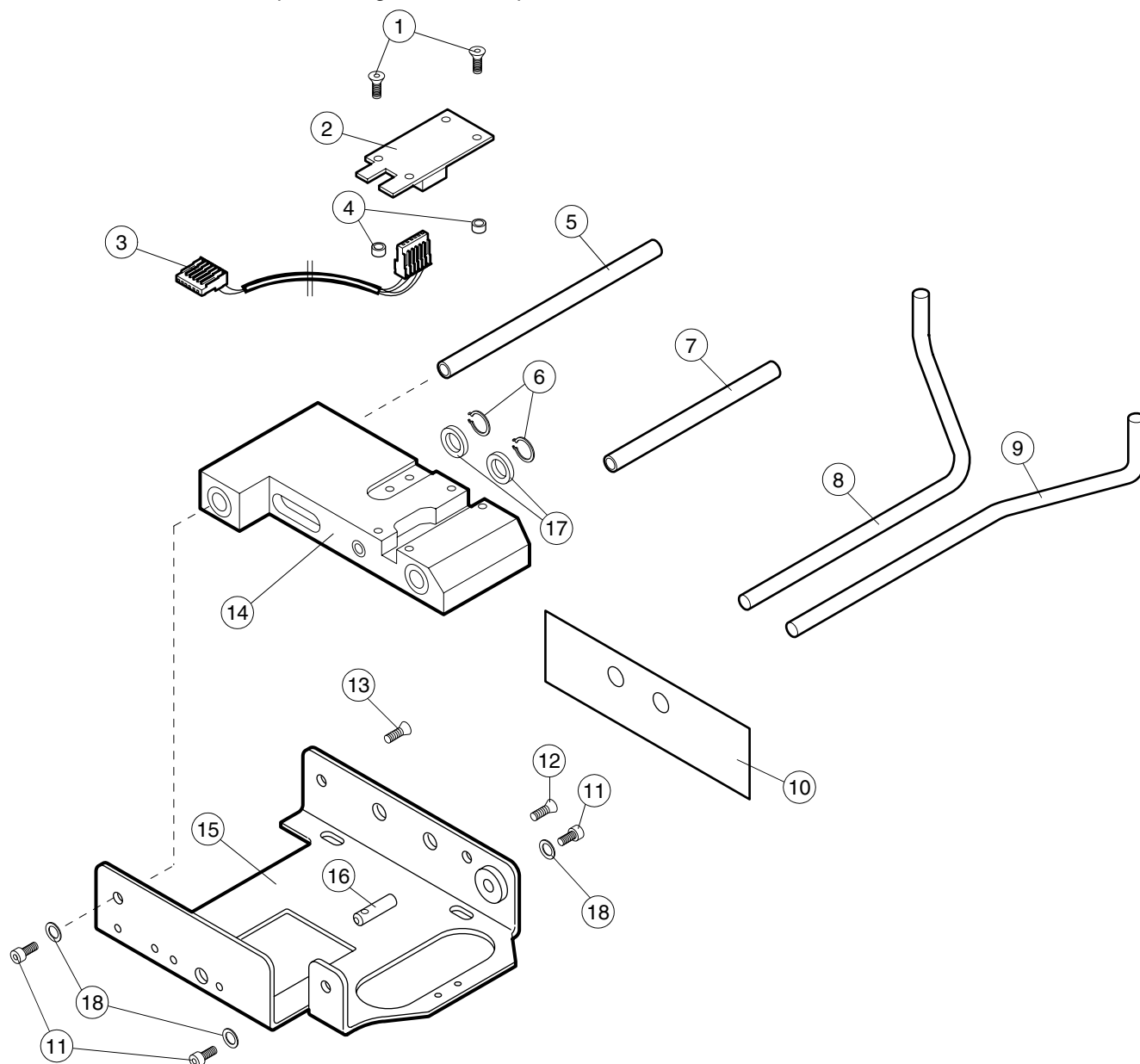
3.2 Patient positioning mechanism and focal trough laser



Ref	Part no.	Description
1A	00671032	Pat. pos. mechanism - without motors
1B	00665004	Pat. pos. mechanism - with motors
2	00006334	Screw M5x12 DIN 7984
3	00007146	Washer $\varnothing 5.3/\varnothing 15$ DIN 9021
4	00007351	Rubber damper
5	00050124	Temple grip
6	00005851	Holder
7	00665104	P.A. cross-sectional temple supports
8	00326026	Screw M4x8 DIN 7984
9	00665330	Focal trough laser assembly
10	00007356	Screw M4x8 WN 1442
11	00002999	Washer $\varnothing 4.3/9$ DIN 125
12	00005393	Lamp bracket

Ref	Part no.	Description
13	00671107	Mirror bracket
14	00620102	Laser caution label, USA, LBL-X-099
15	00620103	Laser warning label, USA, LBL-X-100

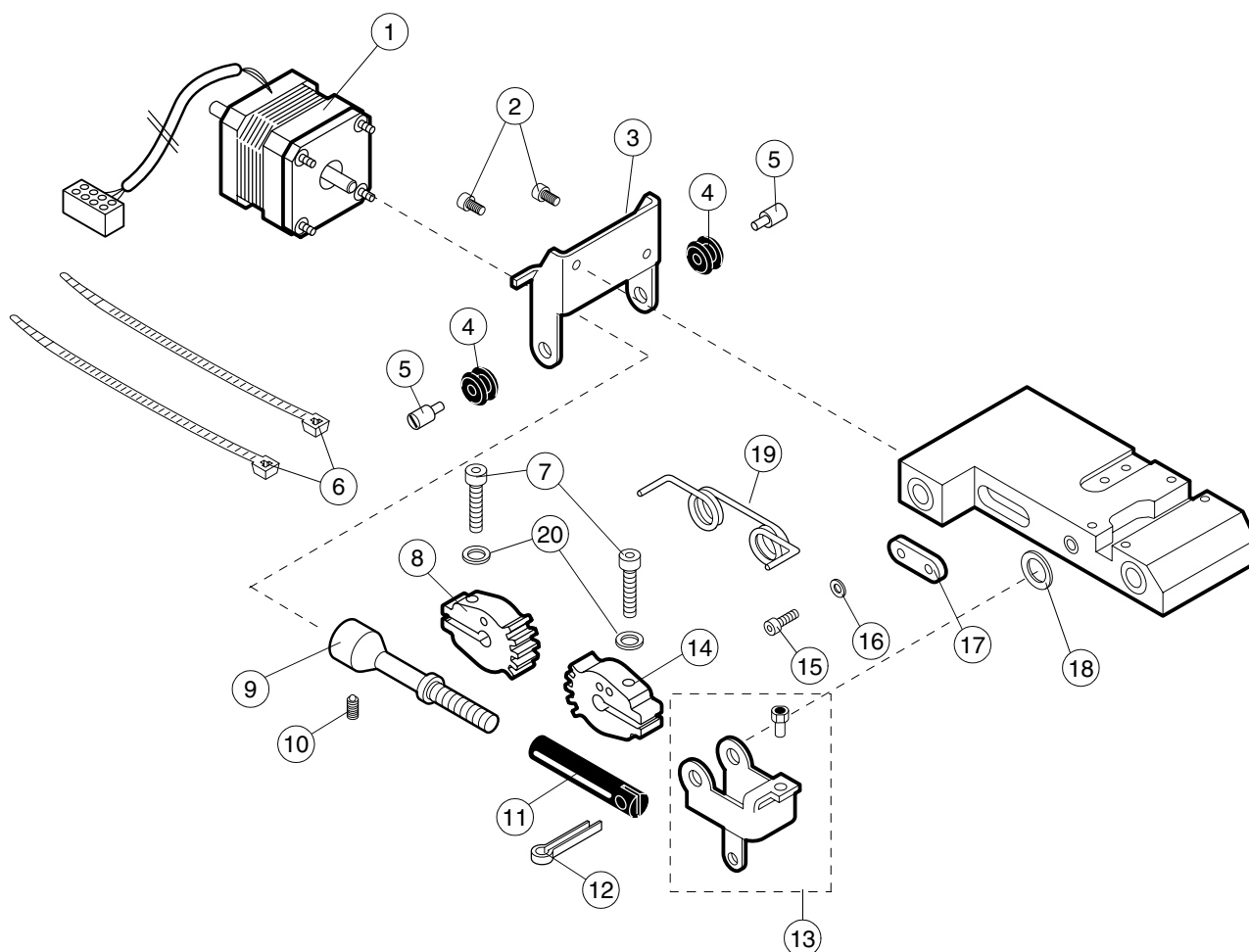
3.2.1 Patient positioning mechanism parts 1



Ref	Part no.	Description
1	00002057	Screw M3x8 DIN 965
2	00050730	Layer/Hold limits PCB 105-10-07
3	00050826	Layer limit card cable
4	00005140	Spacer
5	00005122	Axle, long
6	00000723	Circlip ø8 DIN 471
7	00005123	Axle, short
8	00005841	Support arm, right
9	00005235	Support arm, left
10	00007245	Sticker
11	00006334	Screw M5x12 DIN 7984
12	00002510	Screw M4x6 DIN 7991
13	00006622	Screw M5x10 DIN 7991
14	00665057	Holder block assembly

Ref	Part no.	Description
15	00005921	Chassis
16	00665019	Pin
17	00000161	Washer ø19/9x2.5
18	00003000	Washer ø5.3/10 DIN 125

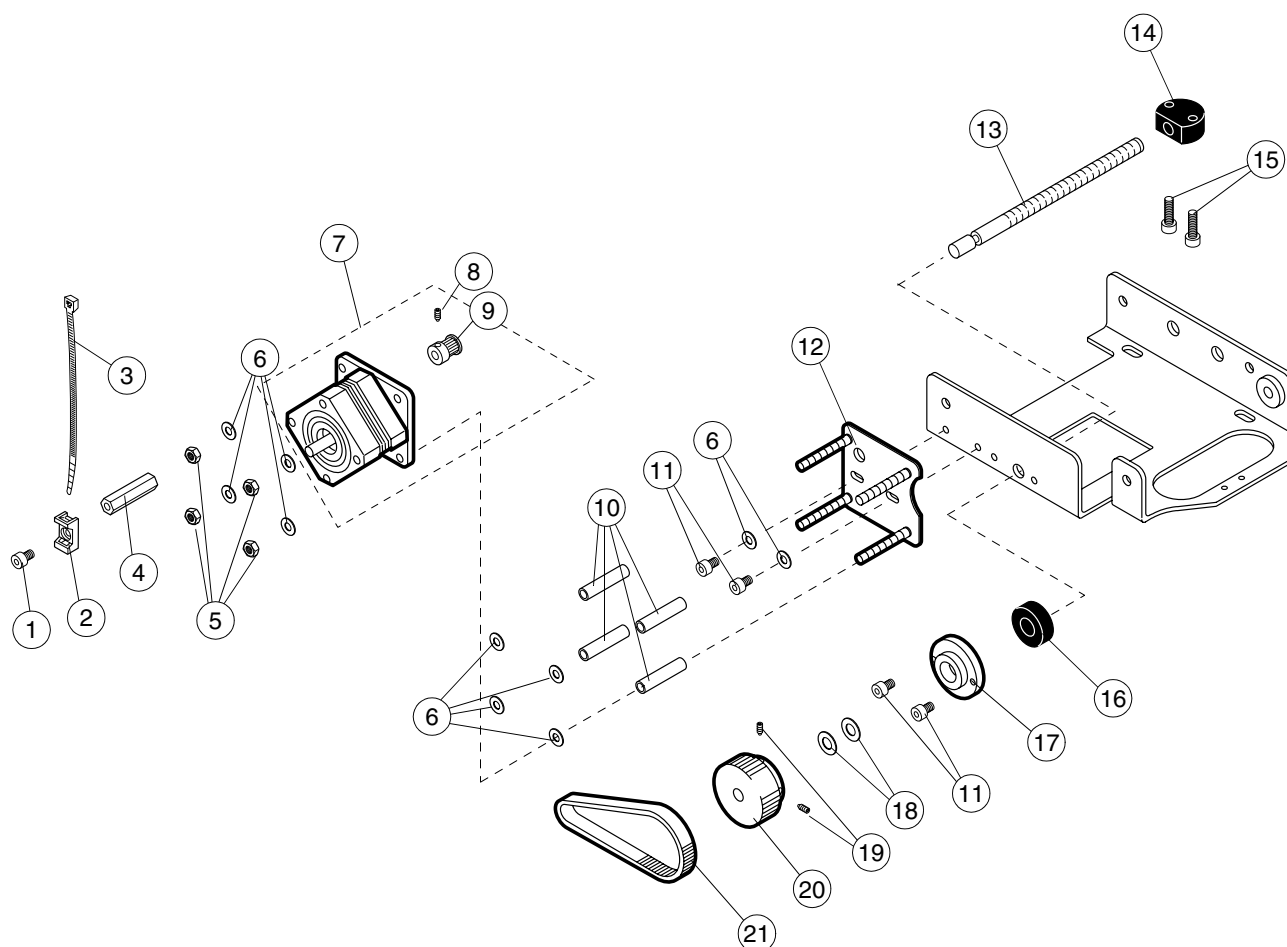
3.2.2 Patient positioning mechanism parts 2



Ref	Part no.	Description
1	00665021	Temple support motor
2	00326018	Screw M3x6 DIN 912
3	00005132	Motor holder
4	00005864	Rubber damper
5	00005137	Pivot screw
6	00001490	Cable tie
7	00003254	Screw M4x20 DIN 912
8	00007605	Quadrant, left
9	00005135	Motor shaft
10	00003138	Screw M4x4 DIN 916
11	00005136	Adjusting screw
12	00006524	Split pin ø4 DIN 94
13	00665020	Magnet holder assembly

Ref	Part no.	Description
14	00007604	Quadrant, right
15	00003388	Screw M4x16 DIN 933
16	00002999	Washer ø4.3/ø9 DIN 125
17	00005985	Plate
18	00000701	Washer ø8/ø14x0.5 DIN 988
19	00007345	Spring
20	00006426	Washer ø4/8x0.5 DIN 988

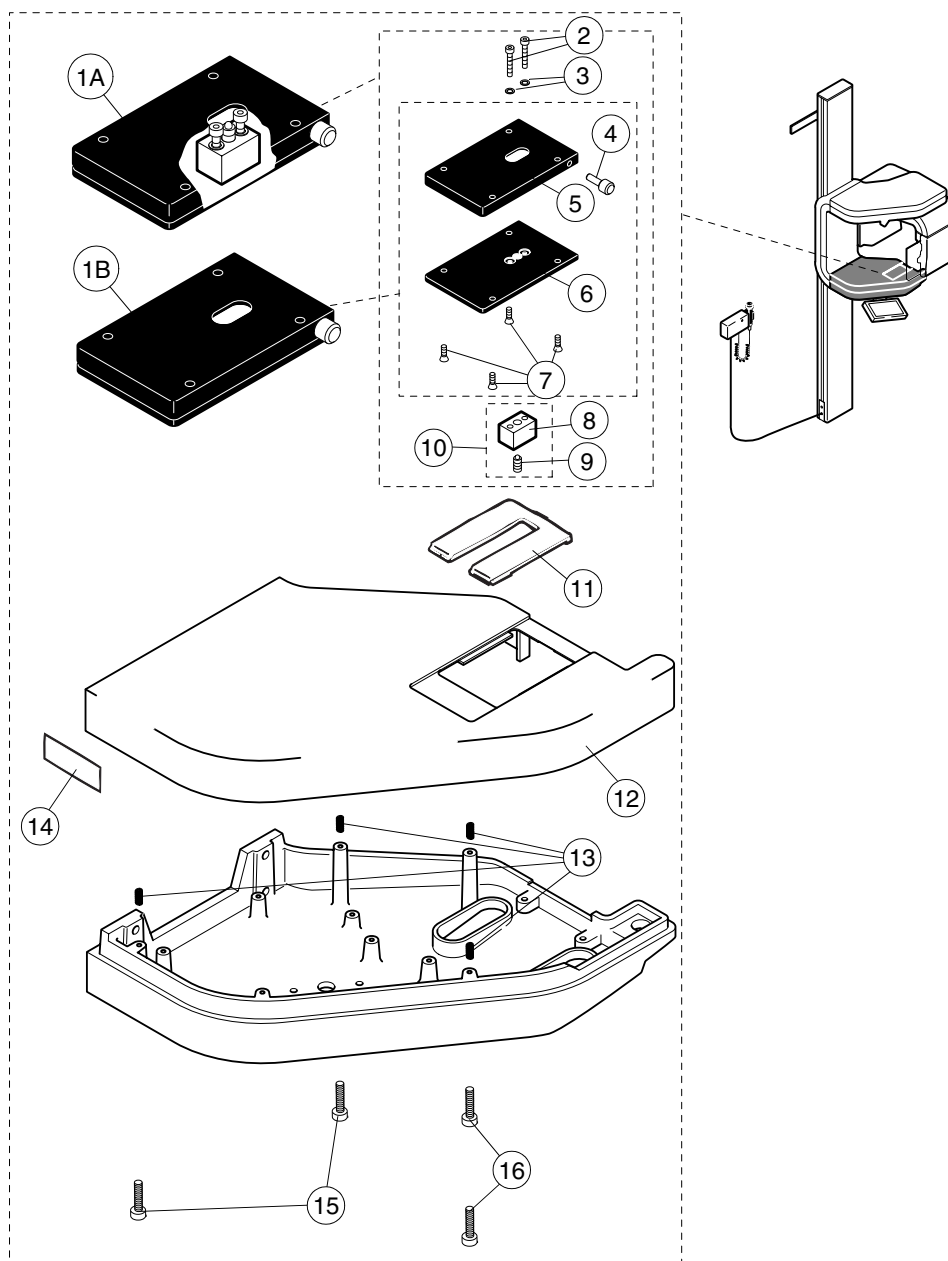
3.2.3 Patient positioning mechanism parts 3



Ref	Part no.	Description
1	00326015	Screw M4x6 DIN 7984
2	00007016	Cable tie holder
3	00001490	Cable tie
4	00006020	Pillar
5	0002400	Nut M4 DIN 934
6	00002999	Washer ø4.2/ø9 DIN 125
7	00665022	Patient positioning mechanism motor assy
8	00003137	Screw M3x3 DIN 916
9	00005223	Drive wheel
10	00005148	Sleeve
11	00006520	Screw M4x6 DIN 912
12	00005147	Motor holder bracket
13	00005142	Traction screw

Ref	Part no.	Description
14	00005143	Motor nut
15	00002923	Screw M4x14 DIN 912
16	00005703	Bearing
17	00005144	Bearing housing
18	00003389	Washer ø6/ø12x1 DIN 988
19	00006518	Screw M3x8 DIN 914
20	00005222	Cog wheel
21	00007352	Cogged belt

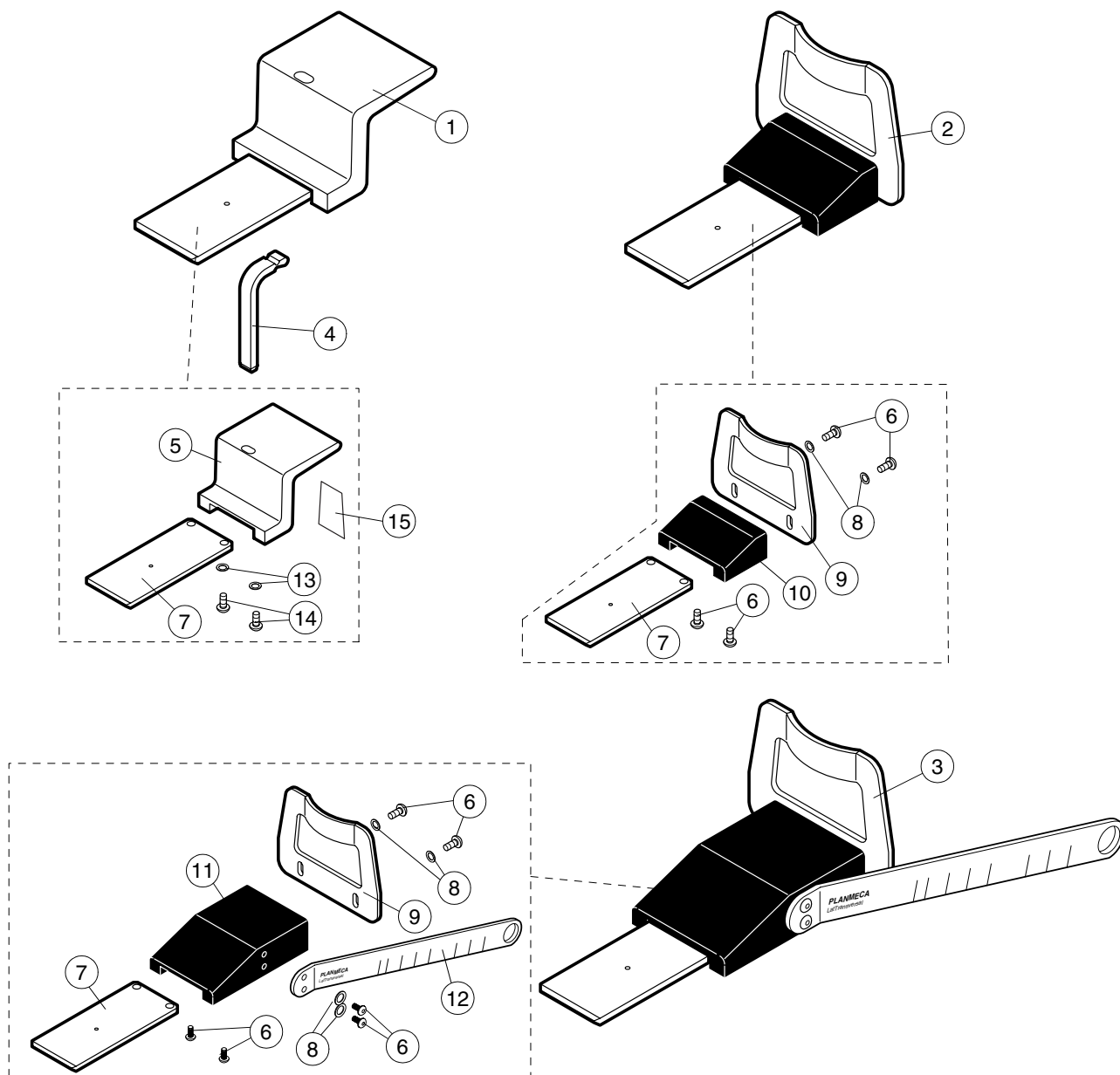
3.3 Cover and support holder



Ref	Part no.	Description
1A	00671033	Support holder - with latch
1B	00665016	Support holder - without latch
2	00626001	Screw M4x25 DIN 7984
3	00627001	Washer ø4/ø8 DIN 988
4	00652187	Finger screw
5	00652176	Plate cover
6	00005226	Plate
7	00002510	Screw M4x6 DIN 7991
8	00005225	Fixing block
9	00004820	Ball latch M6x14 GN615
10	00665015	Latch block assy
11	00651509	Cover plate
12	00655026	Cover

Ref	Part no.	Description
13	00654011	Spring
14A	00007512	Label (LBL-X-013)
14B	00003550	Label (LBL-X-043) (France only)
15	00326009	Screw M4x60 DIN 912
16	00326008	Screw M4x50 DIN 912

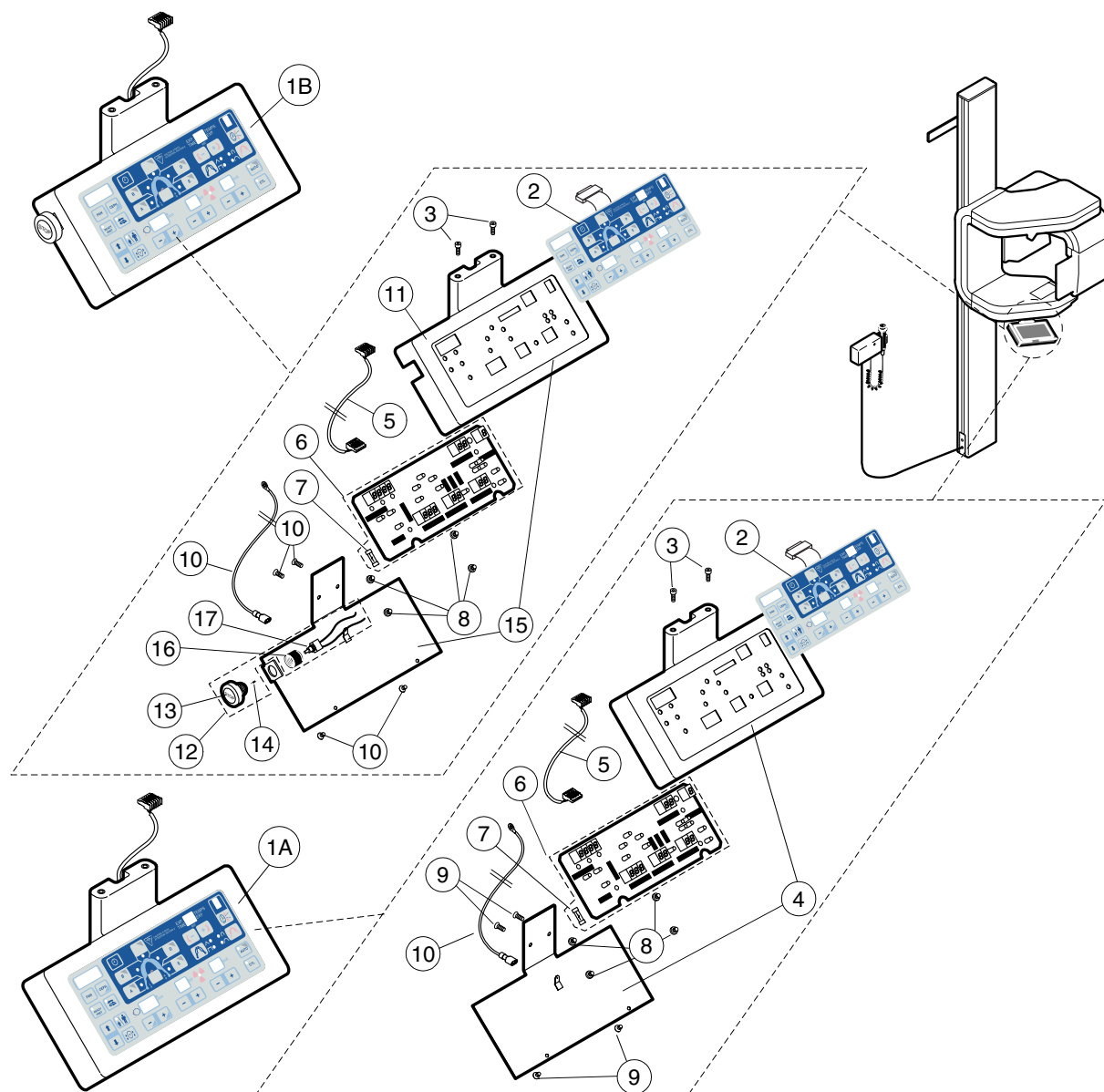
3.4 Chin supports



Ref	Part no.	Description
1	00665013	Chin support complete
2	00665014	Chin rest complete
3	00665103	P.A. cross-sectional chin support complete
4A	00005234	Bite piece
4B	00050956	Bag of 100 bite pieces
5	00005236	Support piece
6	00326040	Screw M4x8 ULS
7	00005231	Slide plate
8	00003326	Washer ø4.3/ø12 DIN 9021
9	00005238	Rest
10	00005237	Block
11	00652174	Block
12	00652173	Chin rest ruler

Ref	Part no.	Description
13	00002998	Washer ø3.2 DIN 125
14	00326014	Screw M4x16 ZN
15	00653209	Clearance plate

3.5 Control console

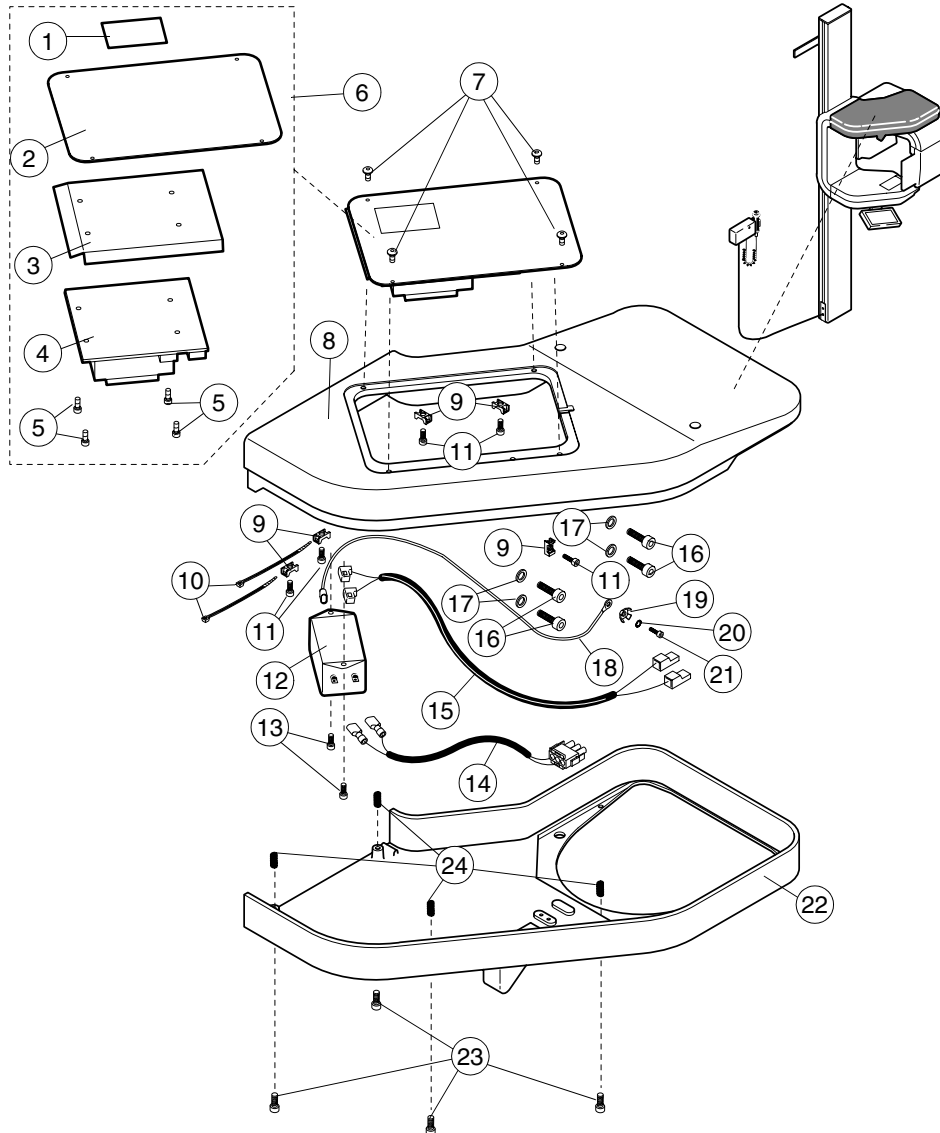


Ref	Part no.	Description
1A	00665140	Control console
1B	00665141	Control console with stop button
2	10007923	Keypad membrane PMK10504
3	00326034	Screw M5x16 DIN 6912
4	10010541	Keypad housing and base plate
5	10010202	Control panel cable
6A	00665078	Display/Keyboard 105-10-09
6B	10009458	Display/Keyboard 105-10-30
7	00007173	Fuse 1.6AT
8	00326018	Screw M3x6 DIN 912
9	00326005	Screw M4x10 DIN 7991
10	00050854	Ground lead
11	00655035	Housing - stop button

Ref	Part no.	Description
12	00665083	Stop button assy
13	00671086	Stop button with label (LBL-X-089)
14	00624000	Rubber damper
15	10010542	Keypad housing and base plate, stop
16	00007438	Fixing collar
17	00050876	Switch

4 UPPER SHELF

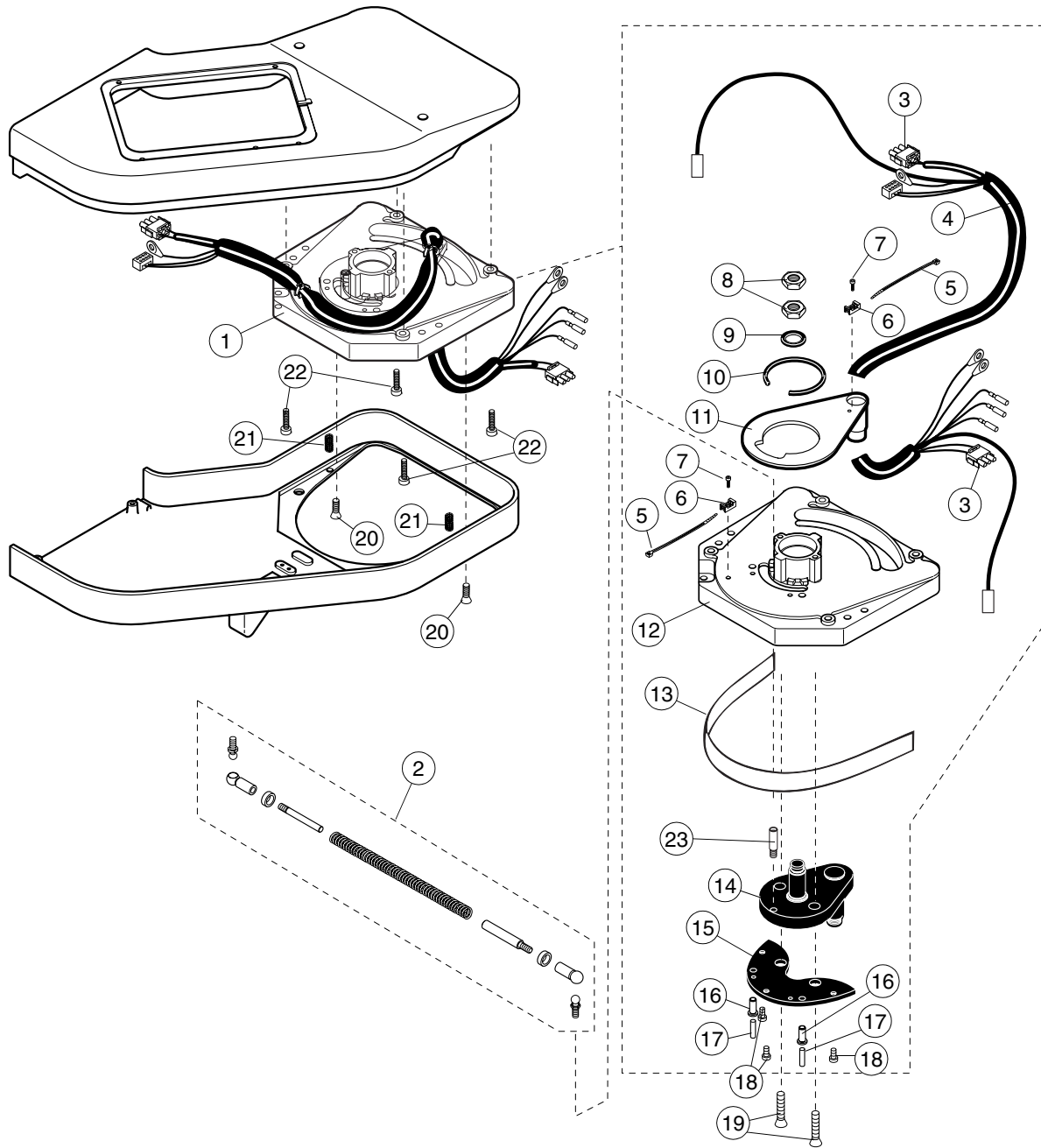
4.1 Power supply and covers



Ref	Part no.	Description
1	00007510	Label LBL-X-011
2	00005470	Cover
3	00003455	Insulation
4A	00471024	Low voltage power supply 105-10-05 100V~
4B	00471023	Low voltage power supply 105-10-05 110V~
4C	00471019	Low voltage power supply 105-10-05 220-230V~
4D	00471025	Low voltage power supply 105-10-05 240V~
5	00002922	Screw M4x8 DIN 912
6A	00665025	Power supply complete 220-230V~
6B	00665082	Power supply complete 240V~
6C	00665084	Power supply complete 100V~
6A	00665046	Power supply complete 117V~
7	00326040	Screw M4x8 ULS

Ref	Part no.	Description
8	00655029	Upper shelf casting
9	00007016	Cable tie holder
10	00001490	Cable tie
11	00326230	Screw Ejoyt DG WN1552 4x6
12	00005993	Filter
13	00326026	Screw M4x8 DIN 7984
14	00050834	Power cable
15	00050833	Internal mains power cable
16	00007050	Screw M8x35 DIN 912
17	00003003	Washer ø8.4/17 DIN 125
18	00050854	Mains filter grounding cable
19	00001559	Ground washer
20	00003244	Washer ø4.2 DIN 6798
21	00006807	Screw M4x12 DIN 7984
22	00655028	Cover
23	00006992	Screw M4x20 DIN 912
24	00654011	Spring

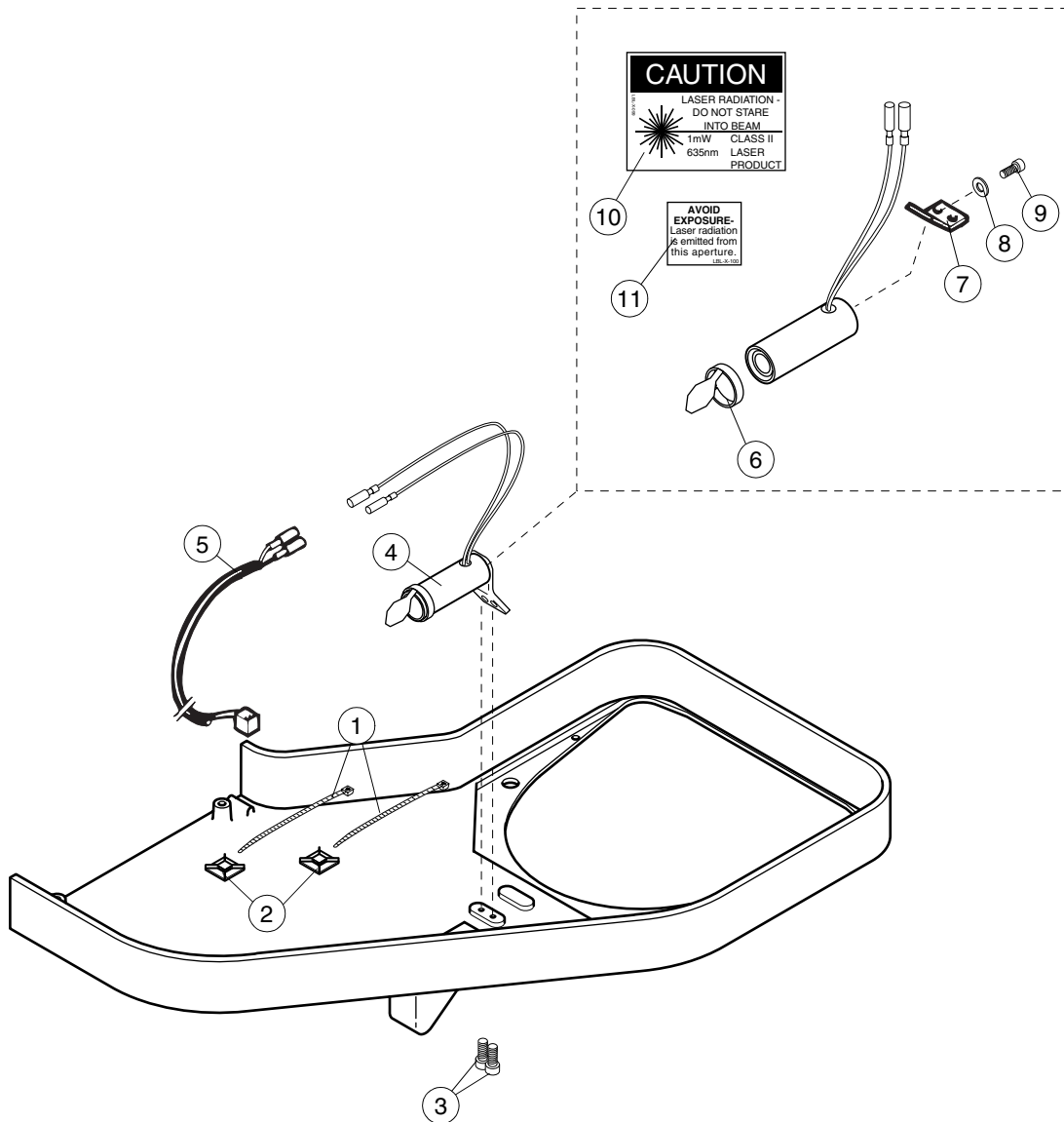
4.2 Guide block assembly



Ref	Part no.	Description
1	00665003	Guide block assembly
2	10010801	Spring tension mechanism
3	00000460	Connector 0-350766-1
4	10002341	Connecting cable
5	00001490	Cable tie
6	00007016	Cable tie holder
7	00326015	Screw M4x6 DIN 7984
8	00005110	Nut
9	00000709	Washer ø18/25x1
10	00665076	Lock ring
11	00665074	Cable guide assembly
12	00655104	Guide block
13	00665077	Wear strip

Ref	Part no.	Description
14	00665073	Crank assembly
15	00665075	Guide profile assembly
16	00005302	Magnet holder
17	00006267	Magnet
18	00005836	Screw M6x12 DIN 7984
19	00005120	Screw M6x45 DIN 7991
20	00006332	Screw M4x12 DIN 7991
21	00654011	Spring
22	00007209	Screw M8x25 DIN 912
23	00005113	Deflection spring axle

4.3 Midsagittal plane laser

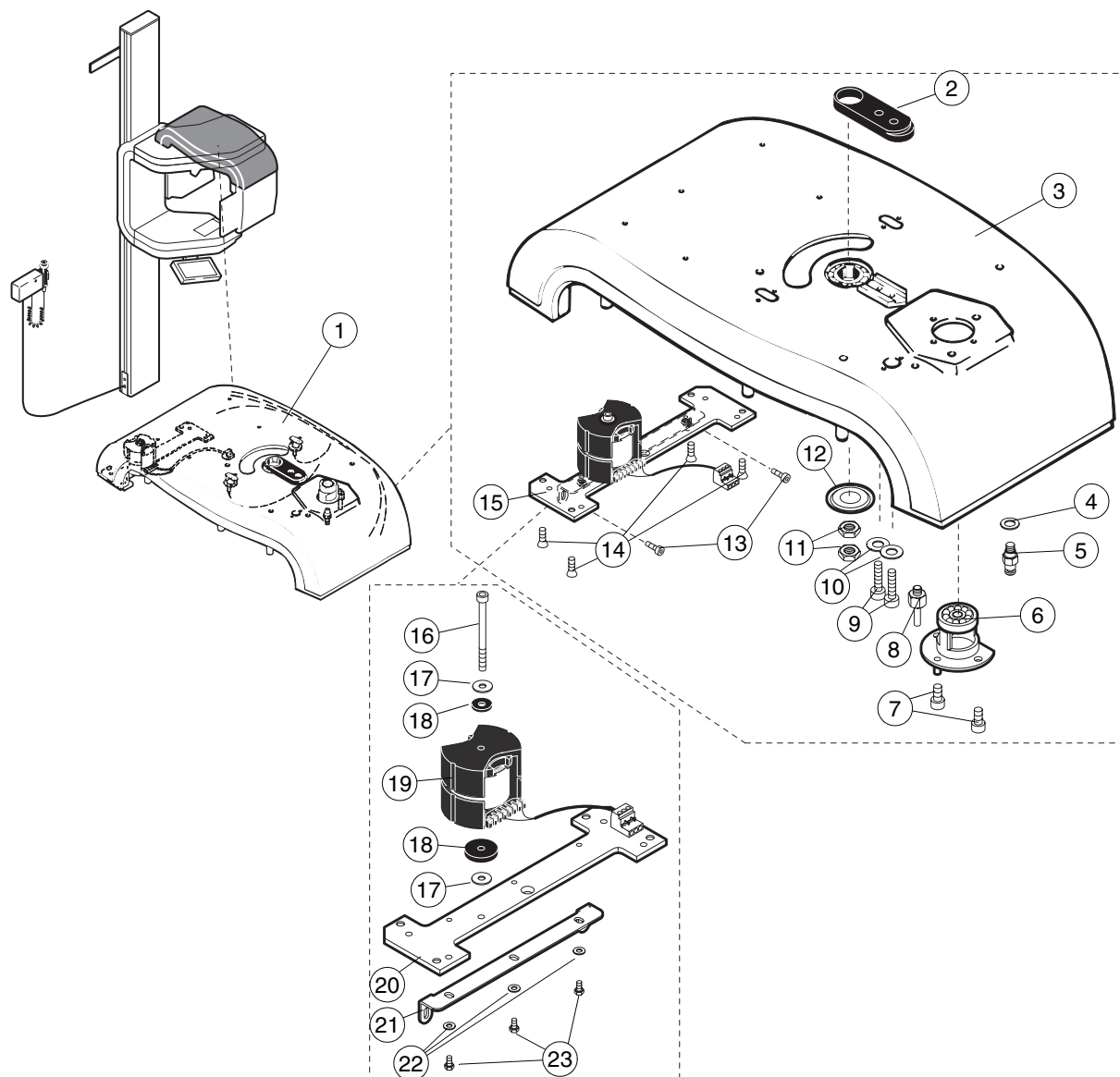


Ref	Part no.	Description
1	00001490	Cable tie
2	00002269	Cable tie holder
3	00007327	Screw M4x12 DIN 912
4	00665331	Midsagittal plane laser -complete
5	00050829	Layer light cable
6	00671107	Mirror bracket
7	00005468	Lamp bracket
8	00002999	Washer ø4.3/9 DIN 125
9	00326027	Screw M5x6 DIN 7984
10	00620102	Laser caution label, USA, LBL-X-099
11	00620103	Laser warning label, USA, LBL-X-100

5 ROTATING UNIT

5.1 Rotating unit casting complete

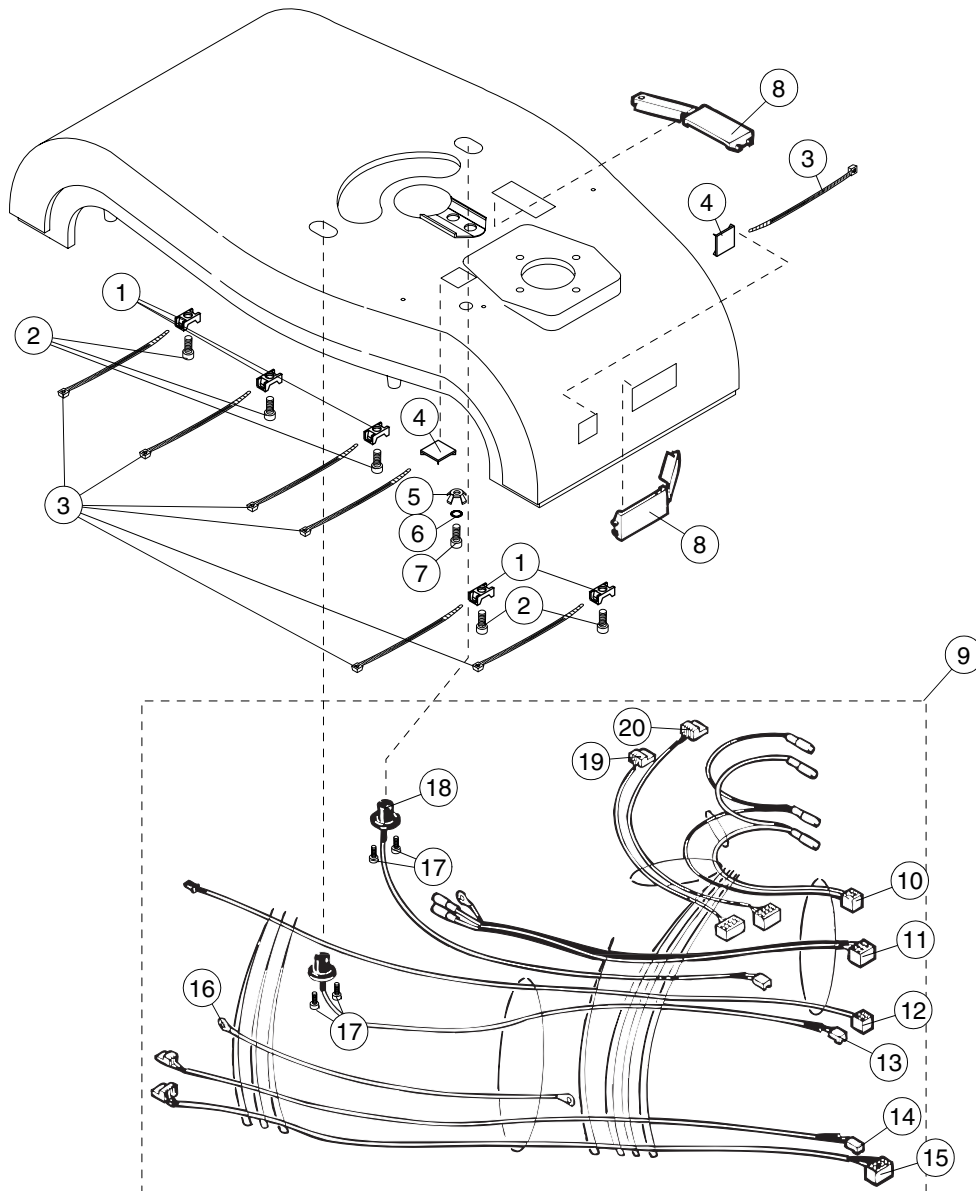
5.1.1 Choke assembly



Ref	Part no.	Description
1	00665005	Rotating unit casting complete Includes all parts shown in pages A-24 ... A-25
2	00005176	Counterprofile
3	00655024	Casting
4	00000701	Washer ø8/14
5	00005186	Pin
6	00665041	Guide bearing assembly
7	00005836	Screw M6x12 DIN 7984
8	00005180	Motor pivot
9	00003095	Screw M8x20 DIN 912
10	00003003	Washer ø8.4/17 DIN125
11	00005110	Nut

Ref	Part no.	Description
12	00003585	Ring
13	00002922	Screw M4x8 DIN 912
14	00003322	Screw M6x12 DIN 7991
15	00665042	Choke assembly
16	00326021	Screw M5x65 DIN 912
17	00007146	Washer ø5.3/15 DIN 9021
18	00007351	Rubber damper
19	00050811	Choke L1 PMT10502
20	00005187	Fixing plate
21	00005199	Fixing spring
22	00002999	Washer ø4.3 DIN 125
23	00003092	Screw M4x8 DIN 933

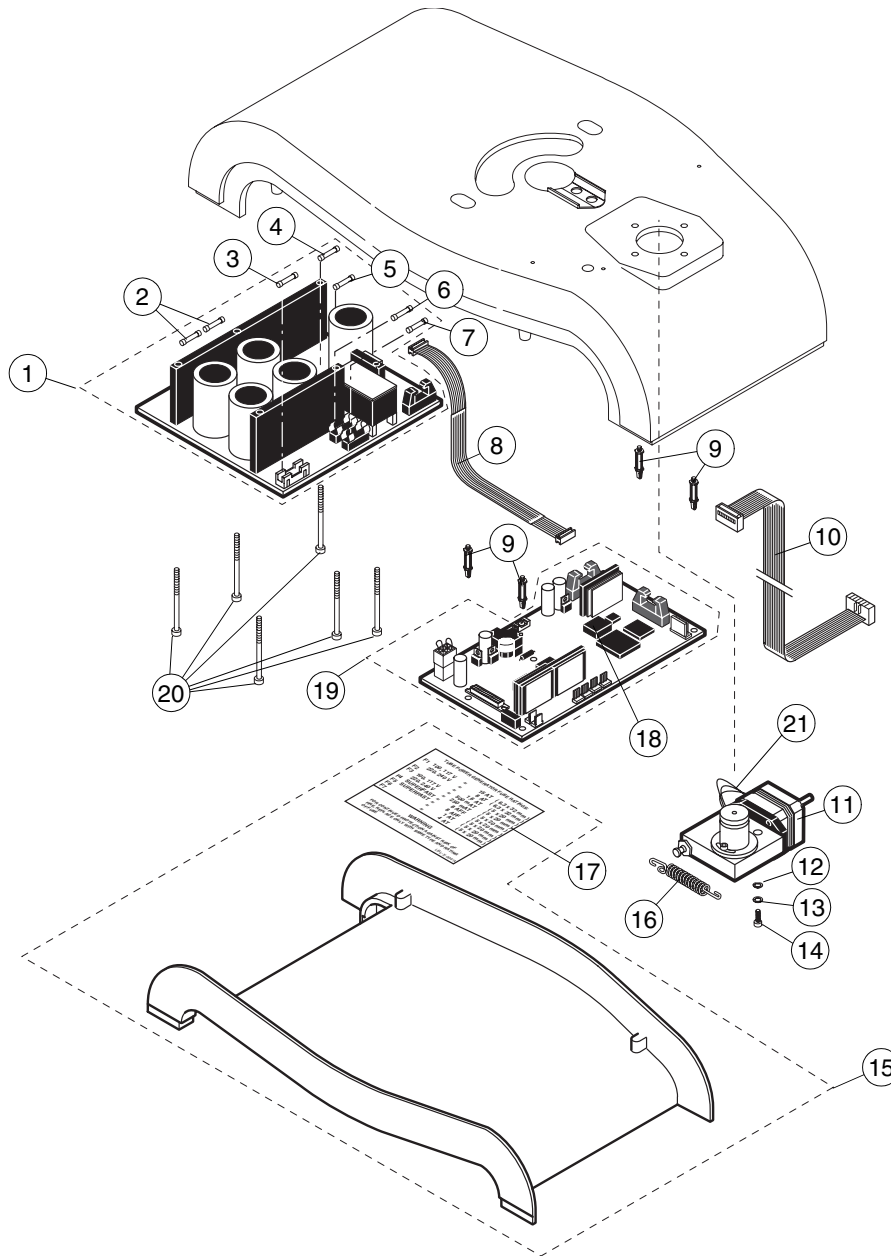
5.1.2 Rotating part cable harness



Ref	Part no.	Description
1	00007016	Cable tie holder
2	00326230	Screw Ejoyt DG Wn 1552 4x6
3	00001490	Cable tie
4	00002269	Cable anchor
5	00001559	Ground washer
6	00003244	Washer ø4.3 DIN 6798
7	00007327	Screw M4x12 DIN 912
8	00002299	Cable clamp
9	00050860	Rotating part cable harness
10	00050858	Cephalostat cable
11	00050837	Generator processor power cable
12	00050841	Fan cable
13	00050850	Rotating motor start sensor
14	00050845	Primary slot limit cable

Ref	Part no.	Description
15	00050844	Primary slot motor cable
16	00050856	Tubehead grounding wire
17	00326026	Screw M4x8 DIN 7984
18	00050851	Rotating motor end sensor
19	00050843	Rotating motor cable
20	00050842	Cassette motor cable

5.2 Pcb's

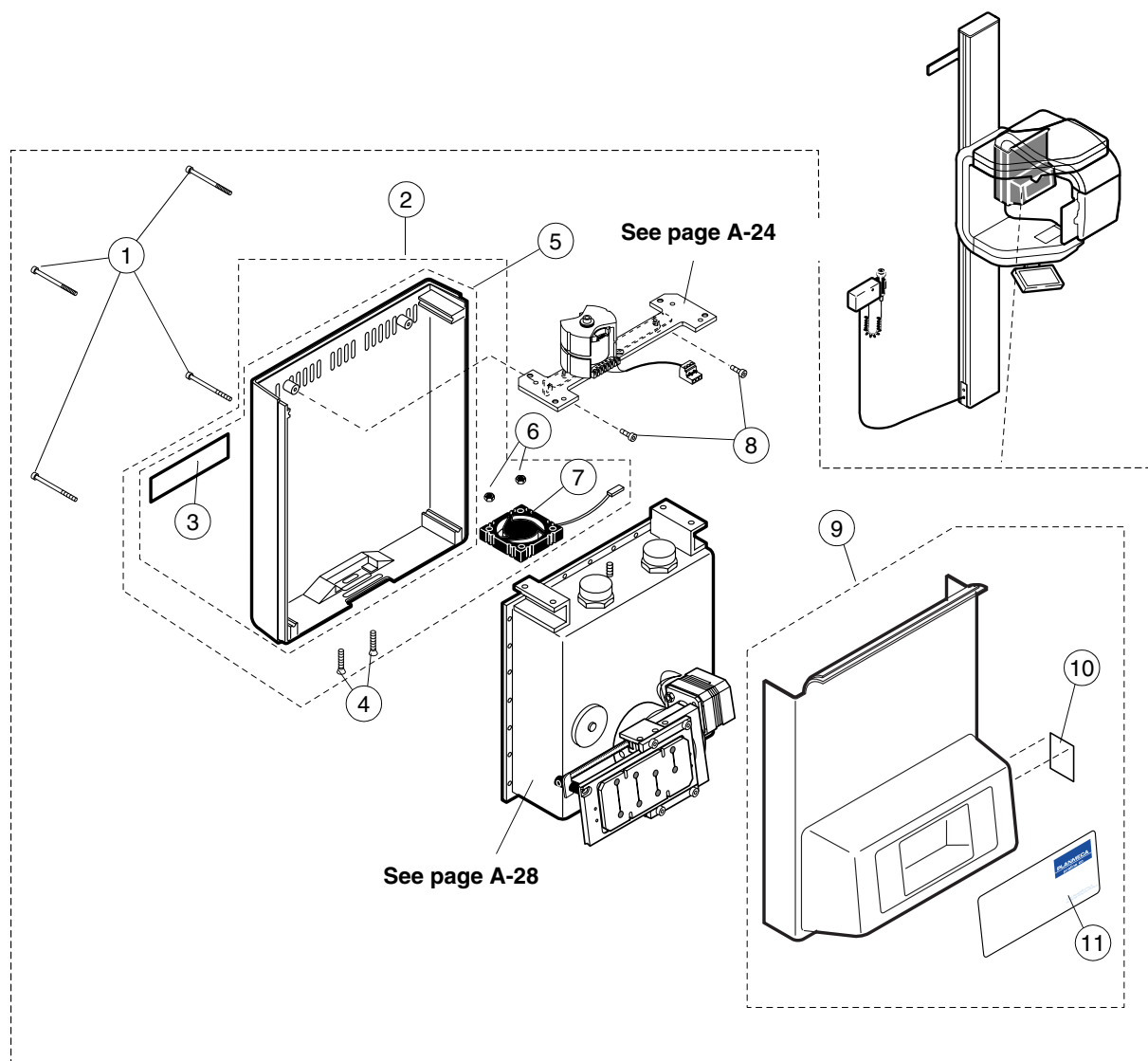


Ref	Part no.	Description
1A	00665062	Tube power generator 220/240V~ 105-10-02
1B	00662051	Tube power generator 117V~ 105-10-02
1C	00665063	Tube power generator 100V~ 105-10-02
2	00005372	F4,F5 - Fuse 8AFF
3A	00001821	F1 - Fuse 8AT 220/240V~
3B	00006319	F1 - Fuse 15AT 100/117V~
4	00005371	F6 - Fuse 1AT
5	00000978	F7 - Fuse 4AT
6	00438057	F2 - Fuse 1.6A GMA
7A	00006317	F3 - Fuse 250mAT 220/240V~
7B	00006318	F3 - Fuse 500mAT 100/117V~

Ref	Part no.	Description
8	00050839	Generator flat-cable
9	00006272	PCB holder
10	00050840	Cassette head flat-cable
11	00665040	Rotation motor
12	00003057	Washer ø6.4/12 DIN 137
13	00003326	Washer ø4.3/12 DIN 9021
14	00006520	Screw M4x6 DIN 912
15	00655023	Inner cover
16	00005183	Spring
17	00007509	Label (LBL-X-004A)
18	00471064	Software (PG 2.25 or later with AEC)
19	00665180	Generator processor 105-10-03
20	00326019	Screw M4x70 DIN 912
21	10000339	Step motor connection cable

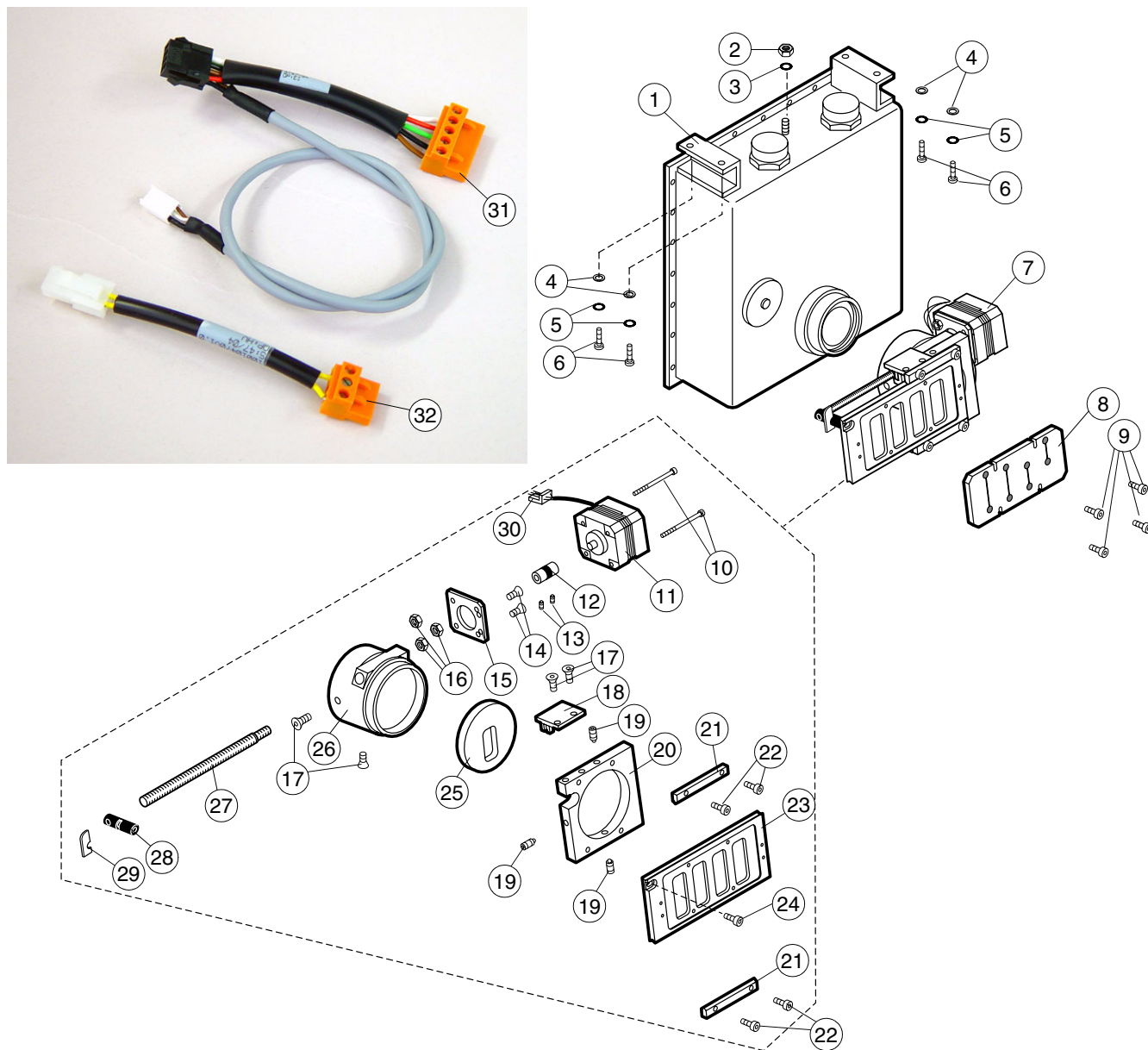
6 TUBE HEAD

6.1 Covers



Ref	Part no.	Description
1	00326009	Screw M4x60 DIN 912
2	00665023	Cover and fan -complete
3	00007510	Label (LBL-X-011)
4	00007408	Screw M3x25 DIN 965
5	00665044	Cover assembly
6	00003159	Nut M3 DIN 934
7	10005433	Fan
8	00002922	Screw M4x8 DIN 912
9	00671065	Tube head cover complete
10	00620022	Label (LBL-X-048) (Germany only)
11A	00620046	CC Proline label (LBL-X-073)
11B	10007452	Planmecca Proline CC label (LBL-D-002)

6.2 Collimator assembly and tube head

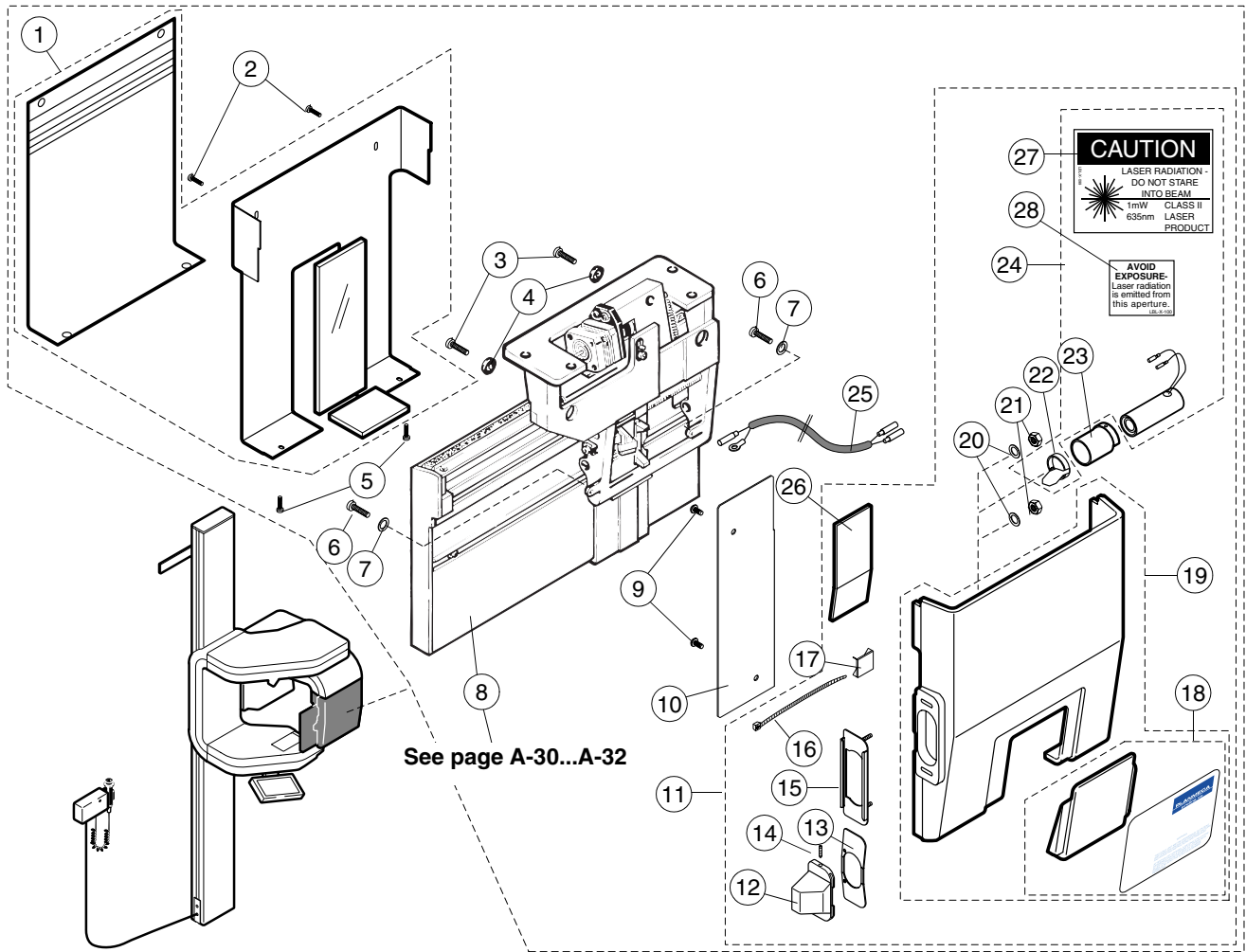


Ref	Part no.	Description
1	10010517	Tube head TOSHIBA, includes cables 10010470 and 10010471
2	00003162	Nut M6 DIN 934
3	00003246	Washer ø6 DIN 6798A
4	00327010	Washer ø5.3 DIN 127
5	00007146	Washer ø 5.3 DIN 9021
6	00326033	Screw M5x12 DIN 912
7	00665006	Collimator assembly
8	00005171	Primary slot (not ceph.)
9	00326018	Screw M3x6 DIN 912
10	00326043	Screw M3x30 DIN 912
11	00665024	Primary slot motor
12	00003370	Coupling
13	00003391	Screw M3x4 DIN 916
14	00326005	Screw M4x10 DIN 7991
15	00005166	Motor mounting bracket
16	00003159	Nut M3 DIN 934

Ref	Part no.	Description
17	00326016	Screw M3x6 DIN 7991
18	00050735	Primary position detector 105-10-08
19	00006590	Screw M3x6 DIN 916
20	00005160	Collimator flange
21	00003451	Guide
22	00326036	Screw M3x10 DIN 912
23	00005158	Primary slot carriage
24	00326026	Screw M4x8 DIN 7984
25	00005862	Outer limiting slot
26	00050631	Collimator housing
27	00005156	Draw screw
28	00005167	Draw nut
29	00005169	Metal tab
30	10000339	Step motor connection cable
31	10010471	Adapter cable
32	10010470	Adapter cable

7 CASSETTE CARRIAGE

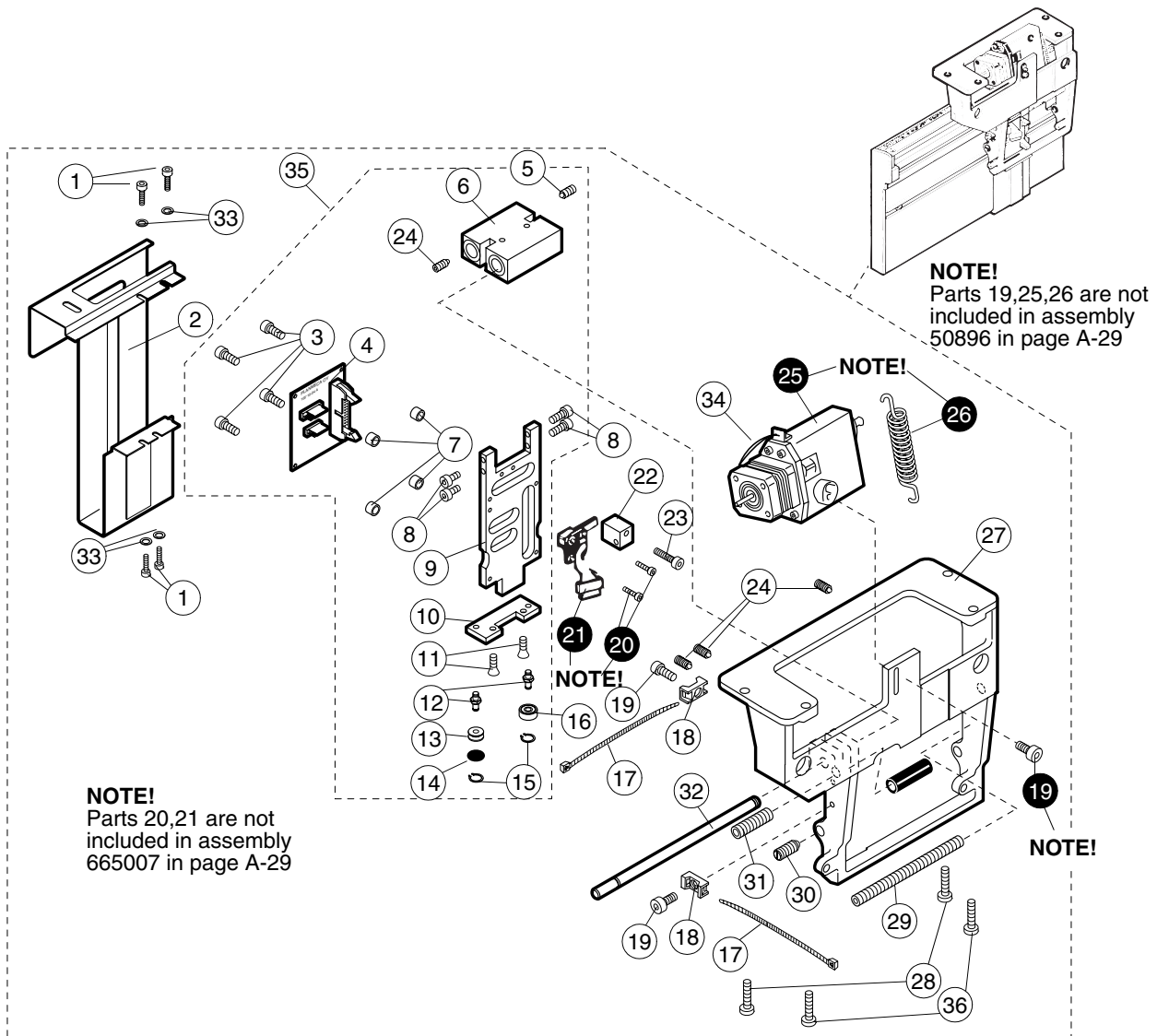
7.1 Cover and frankfort laser



Ref	Part no.	Description
1	00665142	Cover assembly
2	00326039	Screw M3x6 ULS
3	00003108	Screw M4x10 DIN 7984
4	00006023	Washer
5	00007472	Screw M2.9x6.5 DIN 7981
6	00006807	Screw M4x12 DIN 7984
7	00002999	Washer ø4.3/9 DIN 125
8A	00665007	Cassette carriage complete
8B	00665037	Cassette carriage complete - includes cassette (Autoprint, see page A-34)
8C	00050896	Cassette carriage complete - without motor, includes cassette (Autoprint, see page A-34)
9	00326040	Screw M4x8 Zn ULS
10	00655093	Cover plate
11	00665408	Rear cassette cover complete
12	00651001	Light hood

Ref	Part no.	Description
13	00653052	Cover plate
14	00226002	Screw M3x12 DIN 916
15	00653051	Slide plate
16	00001490	Cable tie
17	00002269	Cable tie holder
18	00671066	Plate+labels (LBL-X-077, LBL-D-001)
19	00671031	Rear cover
20	00006359	Washer ø3.2/9 DIN 9021
21	00003159	Nut M3 DIN 934
22	00671017	Mirror bracket
23	00652468	Bush
24	00665329	Frankfort laser complete
25	00050838	Frankfort light cable
26	00655059	Sheet lead
27	00620102	Laser caution label, USA, LBL-X-099
28	00620103	Laser warning label, USA, LBL-X-100

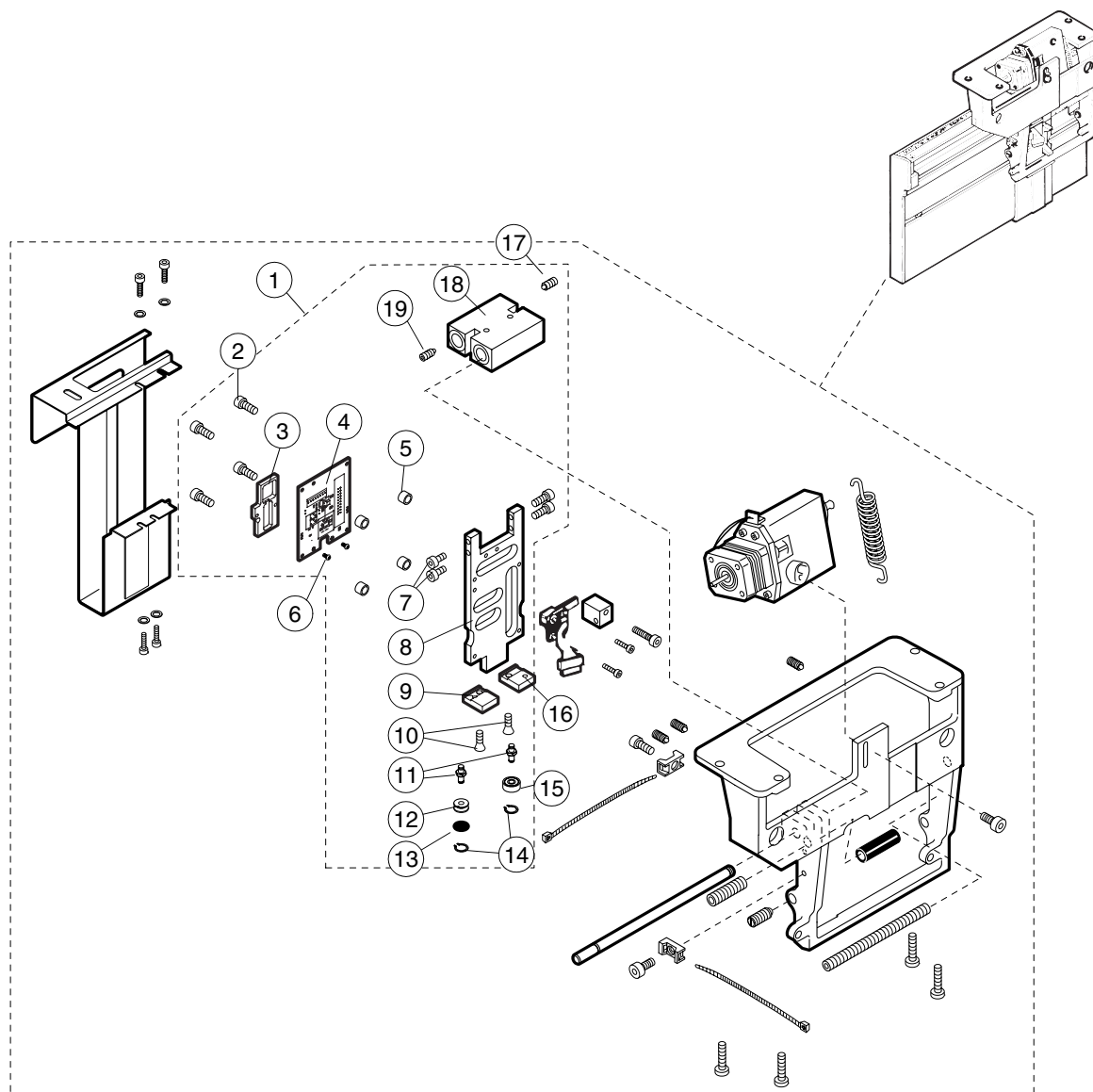
7.2 Cassette driving mechanism



Ref	Part no.	Description
1	00326018	Screw M3x6 DIN 912
2	00007226	Inner secondary slot
3	00326020	Screw M3x10 ISO 7380
4	00050715	Cassette limits PCB 105-10-04
5	00006634	Screw M4x10 DIN 913
6	00671087	Bearing block assembly ø10mm
7	00002221	Spacer
8	00006335	Screw M4x16 DIN 7984
9	00005263	Slide frame
10	00005265	Plate
11	00003660	Screw M4x8 DIN 7991
12	00005267	Pin
13	00007201	Roller
14	00007171	O-ring
15	00006005	Circlip ø4 DIN 471
16	00005702	Bearing
17	00001490	Cable tie
18	00007016	Cable tie holder
19	00326015	Screw M4x6 DIN 7984

Ref	Part no.	Description
20	00326018	Screw M3x6 DIN 912 (Autoprint only)
21	00661522	Labeling head (Autoprint only)
22	00007370	Block
23	00626001	Screw M4x25 DIN 7984
24	00003143	Screw M4x6 DIN 916
25	00665050	Cassette motor
26	00005288	Spring
27	00655105	Cassette holder frame
28	00003297	Screw M6x12 DIN 7984
29	00006883	Locking screw (not ceph.)
30	00665026	Stop magnet
31	00003366	Screw M8x35 DIN 913 (not ceph.)
32	00005269	Axle
33	00327034	Washer ø3 DIN 125
34	10000339	Step motor connection cable
35	00665059	Slide frame assembly
36	00003297	Screw M6x20 DIN 7984

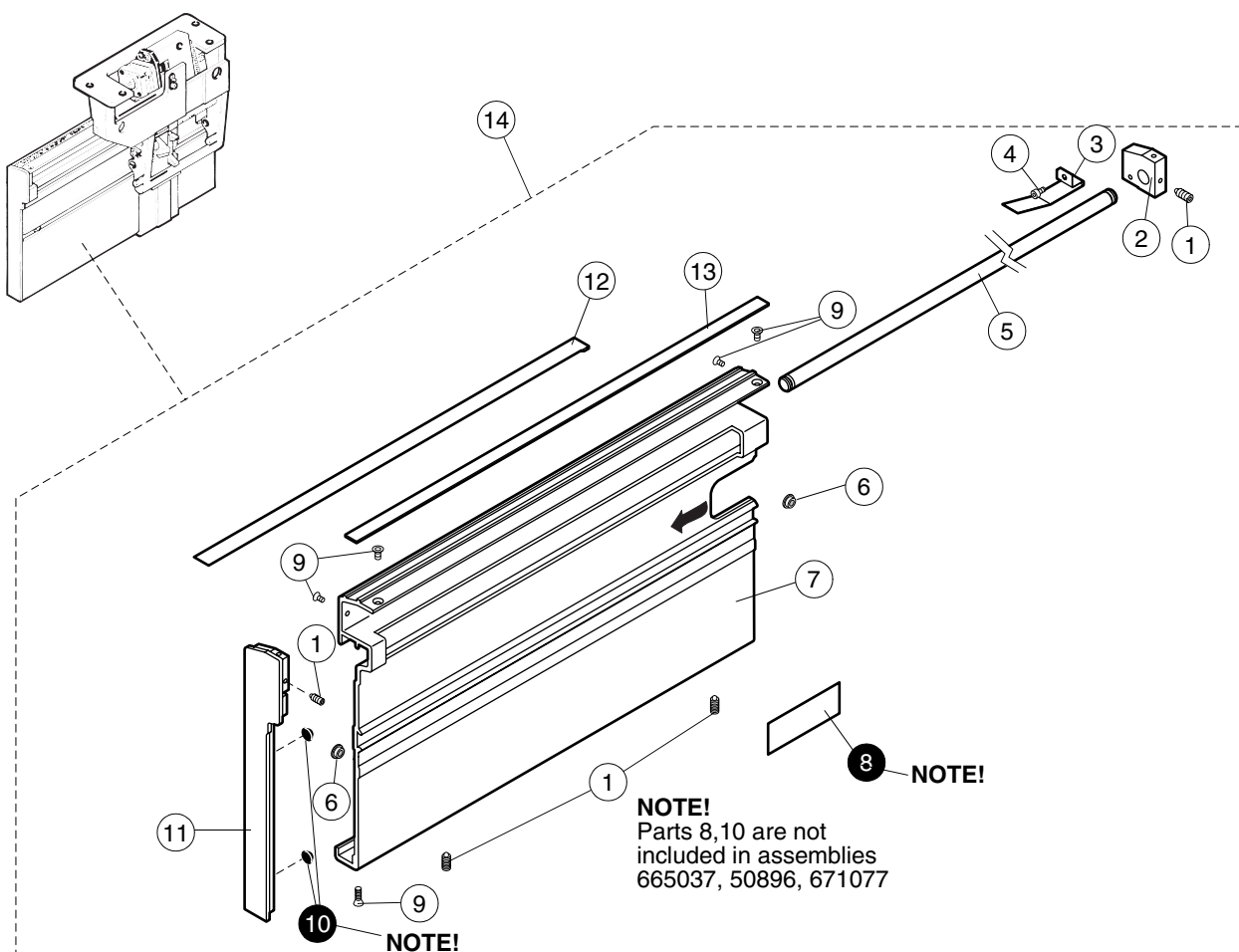
7.2.1 AEC slide frame assembly



Ref	Part no.	Description
1	10001295	AEC slide frame assembly
2	00326020	Screw M3x10 ISO 7380
3	10001503	AEC sensor
4	10001065	Cassette limits PCB 105-10-04
5	00002221	Spacer
6	00326095	Screw M3x6 ISO 7380
7	00006335	Screw M4x16 DIN 7984
8	00005263	Slide frame
9	10001059	AEC support
10	00003660	Screw M4x8 DIN 7991
11	00005267	Pin
12	00007201	Roller
13	00007171	O-ring
14	00006005	Circlip ø4 DIN 471

Ref	Part no.	Description
15	00005702	Bearing
16	10001060	AEC cassette support
17	00006634	Screw M4x10 DIN 913
18	00671087	Bearing block assembly ø10mm
19	00003143	Screw M4x6 DIN 916

7.3 Cassette holder profile

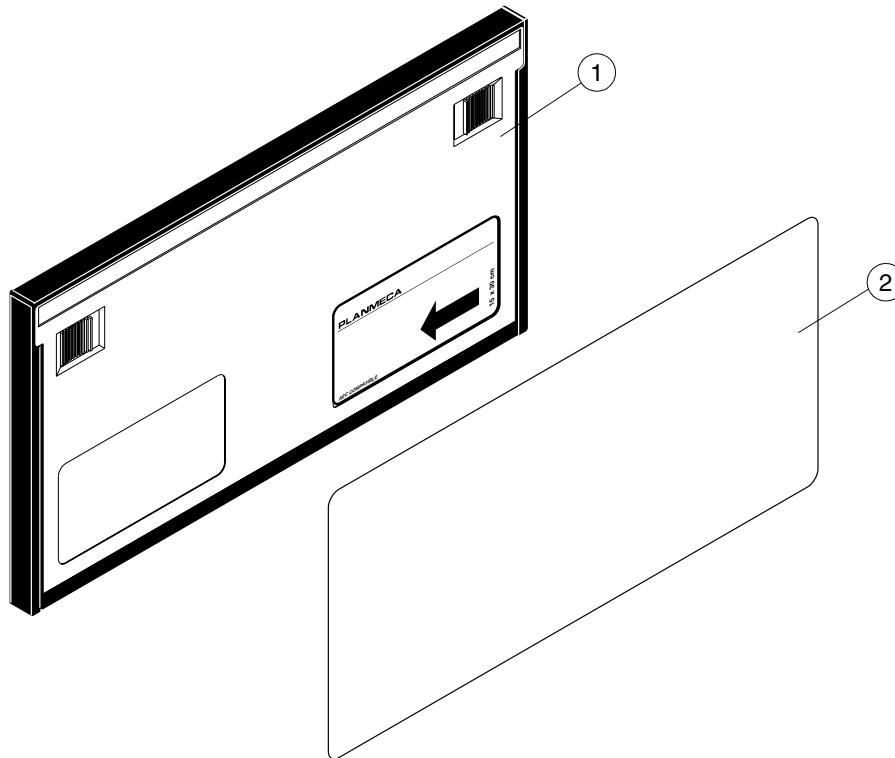


Ref	Part no.	Description
1	00003137	Screw M3x3 DIN 916
2	00005245	Axle block
3	00005247	Spring
4	00326018	Screw M3x6 DIN 912
5	00005249	Slide axle ø10mm
6	00665027	Stop magnet
7	00005925	Cassette holder profile includes labels (not ceph.)
8	00003485	Label (LBL-XA-002)(Autoprint only)
9	00326016	Screw M3x6 DIN 7991
10	00002189	Rubber pad (not autoprint)
11	00655060	End piece (not ceph.)
12	00005250	Lower guide strip
13	00005682	Friction strip

Ref	Part no.	Description
14	00671077	Cassette holder profile complete

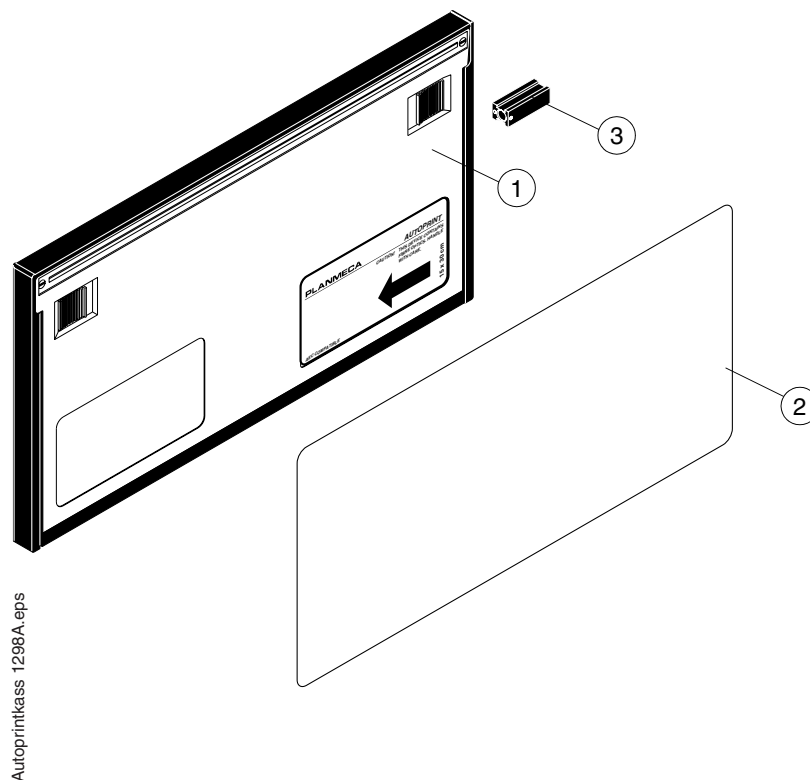
7.4 Cassettes

7.4.1 Regular panoramic cassette, 15x30



Ref	Part no.	Description
1	10001287	Cassette, Kodak Lanex Regular
2	10007201	Intesifying screen, Kodak Ektavision

7.4.2 Autoprint cassette, 15x30



Ref	Part no.	Description
1	10001288	Autoprint cassette, Kodak Lanex Regular
2	10007201	Intesifying screen, Kodak Ektavision
3	00665170	Printhead cover new cassette

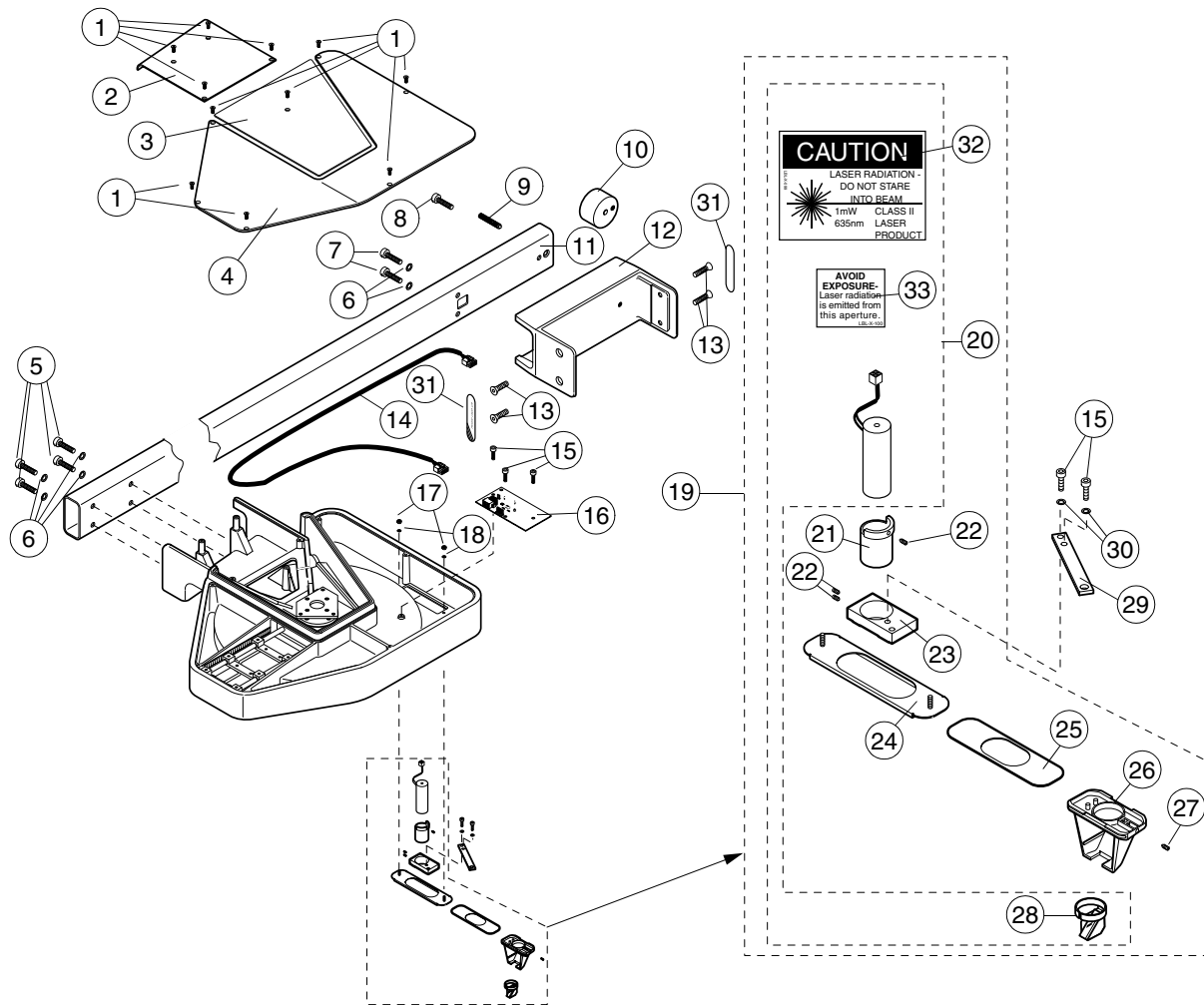
Chapter

B

***PLANMECA PROLINE CC
CEPHALOSTAT CA AND CM***

1 CEPHALOMETRIC UNIT

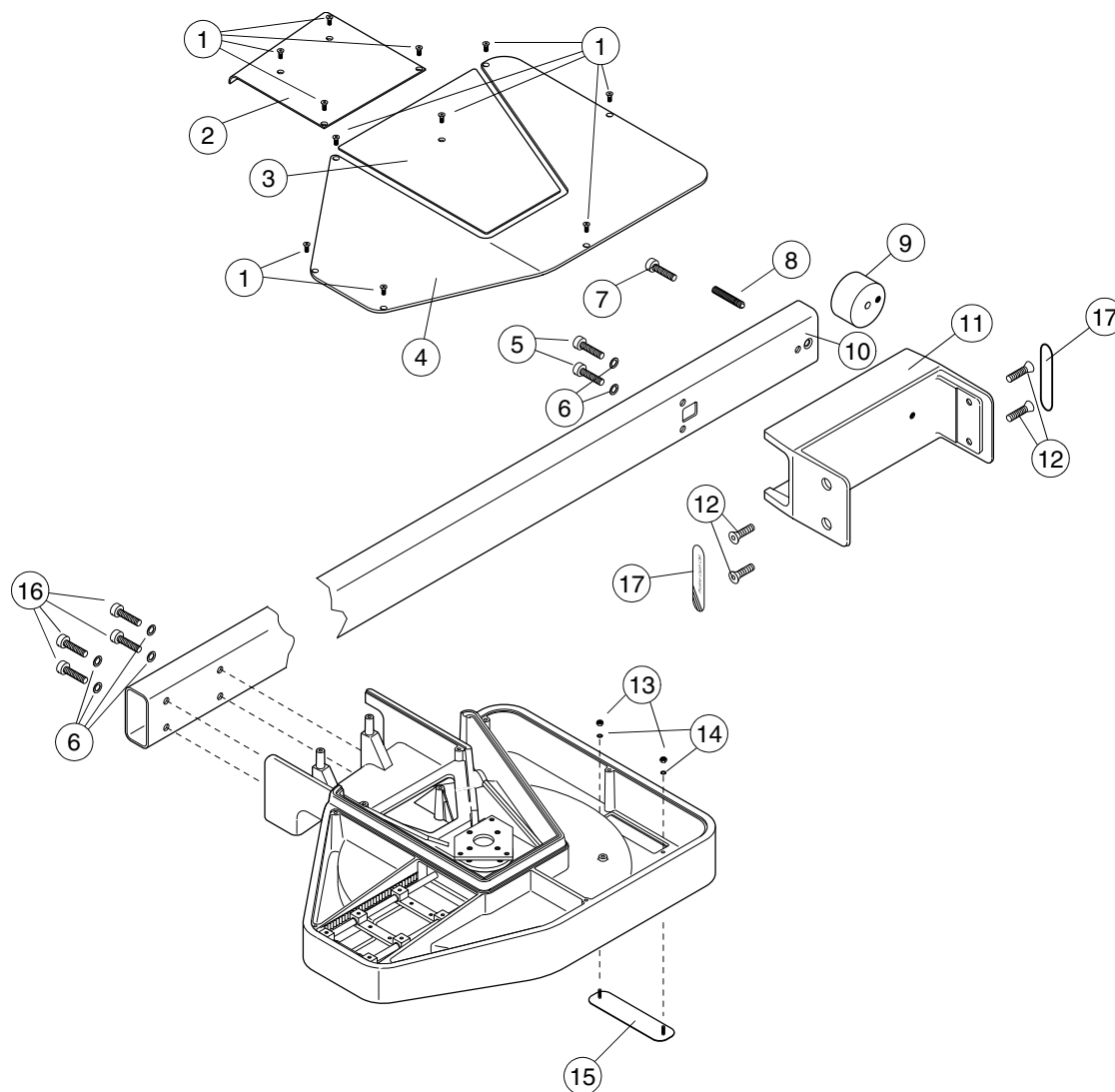
1.1 Arm, covers and lamp assembly, CA



Ref.	Part no.	Description
1	00326040	Screw M4x8 ULS
2	00655076	Attachment casting cover
3	00655078	Attachment mechanism cover
4	00655077	Upper cover
5	00003094	Screw M8x16 DIN 912
6	00006742	Washer ø8 DIN127
7	00001814	Screw M8x12 DIN 912
8	00003099	Screw M8x40 DIN 912
9	00002592	Screw M8x40 DIN 916
10	00652344	Support piece
11	00655073	Cephalostat arm
12	00655072	Adapter
13	00006627	Screw M8x14 DIN 7991
14A	00637120	Ceph-interconnection cable
14B	10001760	Digital cephalo arm cable
15	00006520	Screw M4x6 DIN 912
16	00637017	Ceph. control PCB 105-10-24
17	00003159	Nut M3 DIN 934
18	00006359	Washer ø3 DIN 9021

Ref.	Part no.	Description
19	00665332	Soft tissue filter positioning laser complete
20	00665332	Soft tissue filter positioning laser assembly
21	00652468	Ceph. positioning light bushing
22	00006623	Screw M3x4 DIN 915
23	00652227	Light adjustment piece
24	00653104	Fixing plate
25	00653105	Slide plate
26	00652226	Light hood
27	00226002	Screw M3x12 DIN 916
28	00671107	Mirror bracket
29	00652231	Lever
30	00006426	Washer ø4 DIN 988
31A	00620047	Label LBL-X-075
31B	10002655	Label LBL-X-111
32	00620102	Laser caution label, USA, LBL-X-099
33	00620103	Laser warning label, USA, LBL-X-100

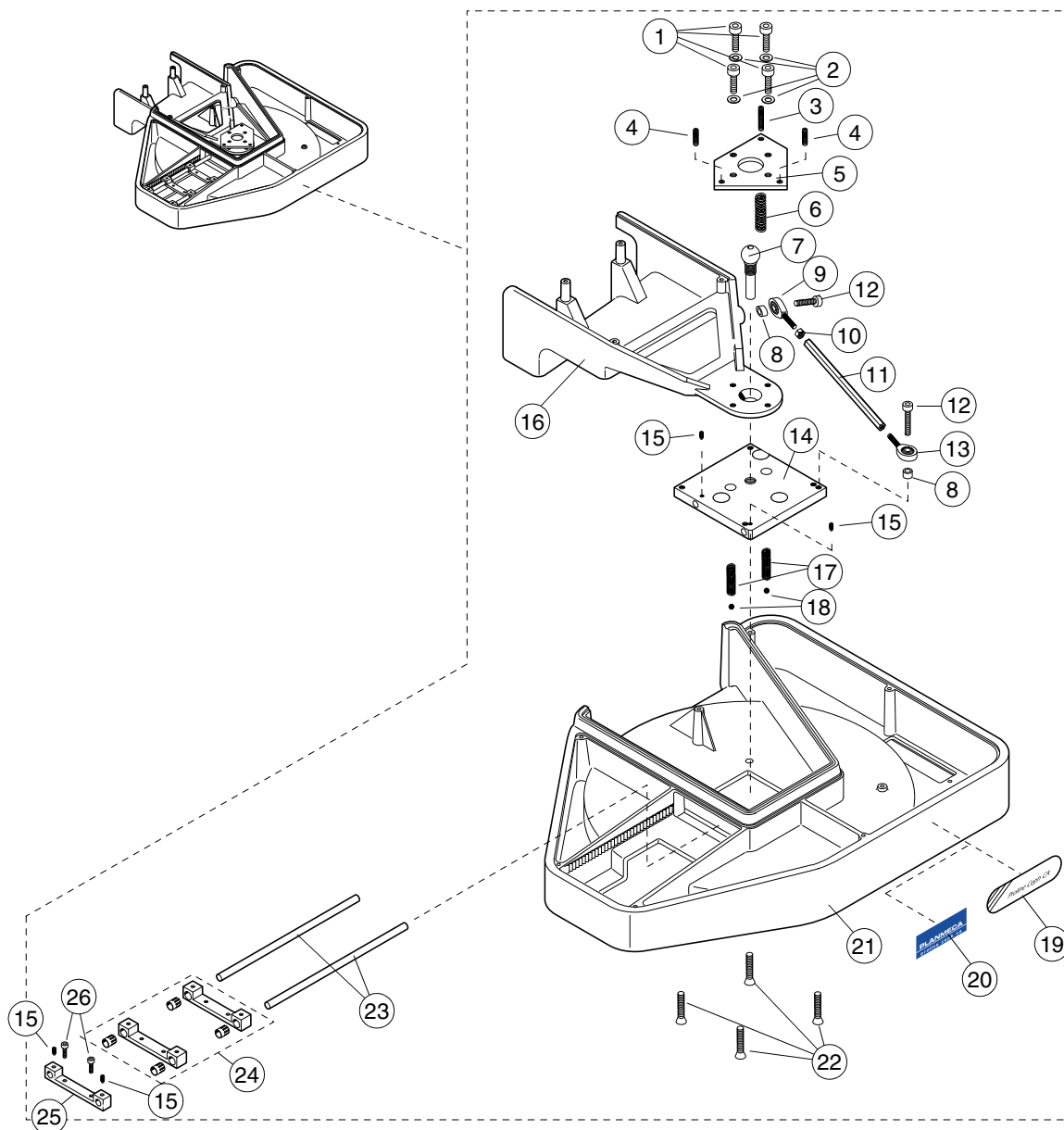
1.2 Arm and covers, CM



Ref.	Part no.	Description
1	00326040	Screw M4x8 ULS
2	00655076	Attachment casting cover
3	00655078	Attachment mechanism cover
4	00655077	Upper cover
5	00001814	Screw M8x12 DIN 912
6	00006742	Washer ø8 DIN127
7	00003099	Screw M8x40 DIN 912
8	00002592	Screw M8x40 DIN 916
9	00652344	Support piece
10	00655073	Cephalostat arm
11	00655072	Adapter
12	00006627	Screw M8x14 DIN 7991
13	00003159	Nut M3 DIN 934
14	00006359	Washer ø3 DIN 9021

Ref.	Part no.	Description
15	00655082	Cover plate
16	00003094	Screw M8x16 DIN 912
17A	00620048	Label LBL-X-076
17B	10002655	Label LBL-X-111

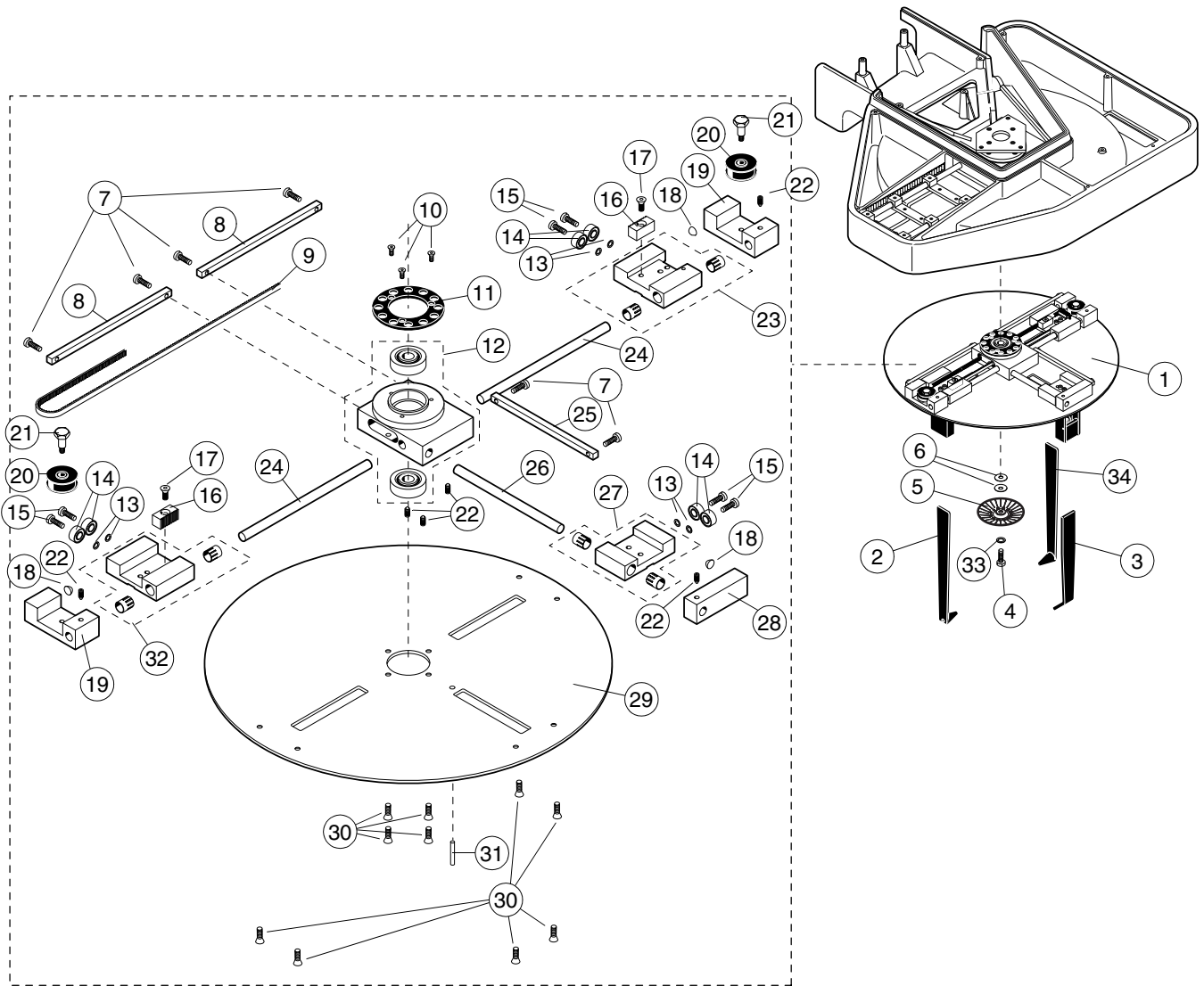
1.3 Casing and attachment mechanism



Ref.	Part no.	Description
1	00004878	Screw M6x16 DIN 912
2	00003001	Washer ø6 DIN 125
3	00326124	Screw M6x30 DIN 913
4	00006645	Screw M6x20 DIN 913
5	00653108	Flange
6	00654022	Spring
7	00652192	Axle
8	00652336	Spacer
9	00622014	Joint axle JAM 6
10	00003162	Nut M6 DIN 934
11	00652335	Alignment bar
12	00003182	Screw M6x25 DIN 912
13	00622015	Joint axle JAML 6
14	00652193	Fixing plate
15	00003138	Screw M4x4 DIN 916
16	00655071	Casting
17	00654021	Spring

Ref.	Part no.	Description
18	00622001	Bearing ball ø8
19A	00620047	Proline ceph label (LBL-X-075 CA)
19B	00620048	Proline ceph label (LBL-X-076 CM)
20A	10007457	Planmeca proline ceph label (LBL-D-007 CA)
21B	10007458	Planmeca proline ceph label (LBL-D-008 CM)
20	00657006	Casing
21	00007086	Screw M6x16 DIN 7991
22	00652218	Cassette holder support rod
23	00665139	Inner support bar
24	00652217	Outer support bar
25	00004849	Screw M4x10 DIN 912

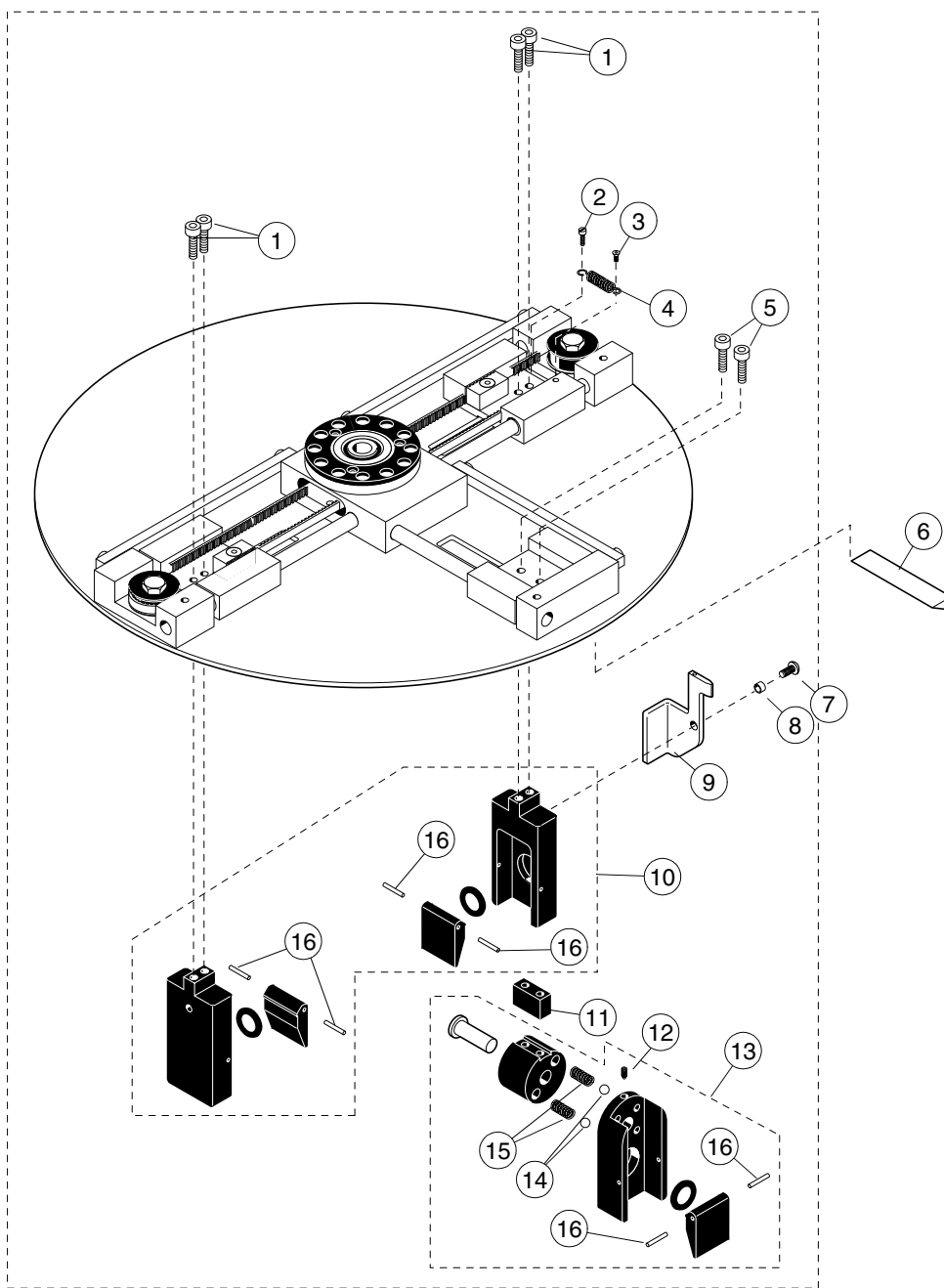
1.4 Head support assembly (pages B-5 and B-6)



Ref.	Part no.	Description
1	00665136	Head support assembly
2	00651003	Ear post, right (ring)
3	00651004	Nasial positioner
4	00004878	Screw M6x16 DIN 912
5	00655087	Rotation scale
6	00007237	Washer ø6/18x0.5 DIN 2093
7	00004849	Screw M4x10 DIN 912
8	00652201	Rod
9	00650518	Cogged belt
10	00326016	Screw M3x6 DIN 7991
11	00653197	Deal frame
12	00665131	Centre assembly
13	00006426	Washer ø4/8x0.5 DIN 988
14	00005702	Ball bearing NSK 62422
15	00003108	Screw M4x10 DIN 7984
16	00652208	Belt fastener
17	00003324	Screw M4x16 DIN 7991

Ref.	Part no.	Description
18	00124001	Rubber pad
19	00652199	Ear post outer bracket
20	00652206	Belt roller
21	00652207	Belt roller axle
22	00003138	Screw M4x4 DIN 916
23	00671061	Ear post inner bracket assy, left
24	00652200	Ear post axle
25	00652211	Nasial positioner rod
26	00652210	Nasial positioner axle
27	00671062	Nasial positioner inner bracket
28	00652209	Nasial positioner outer bracket
29	00655075	Cover
30	00003660	Screw M4x8 DIN 7991
31	00622008	Needle roll
32	00671060	Ear post inner bracket assy, right
33	00007612	Washer ø6 DIN 6798
34	00651005	Ear post, left (ball)

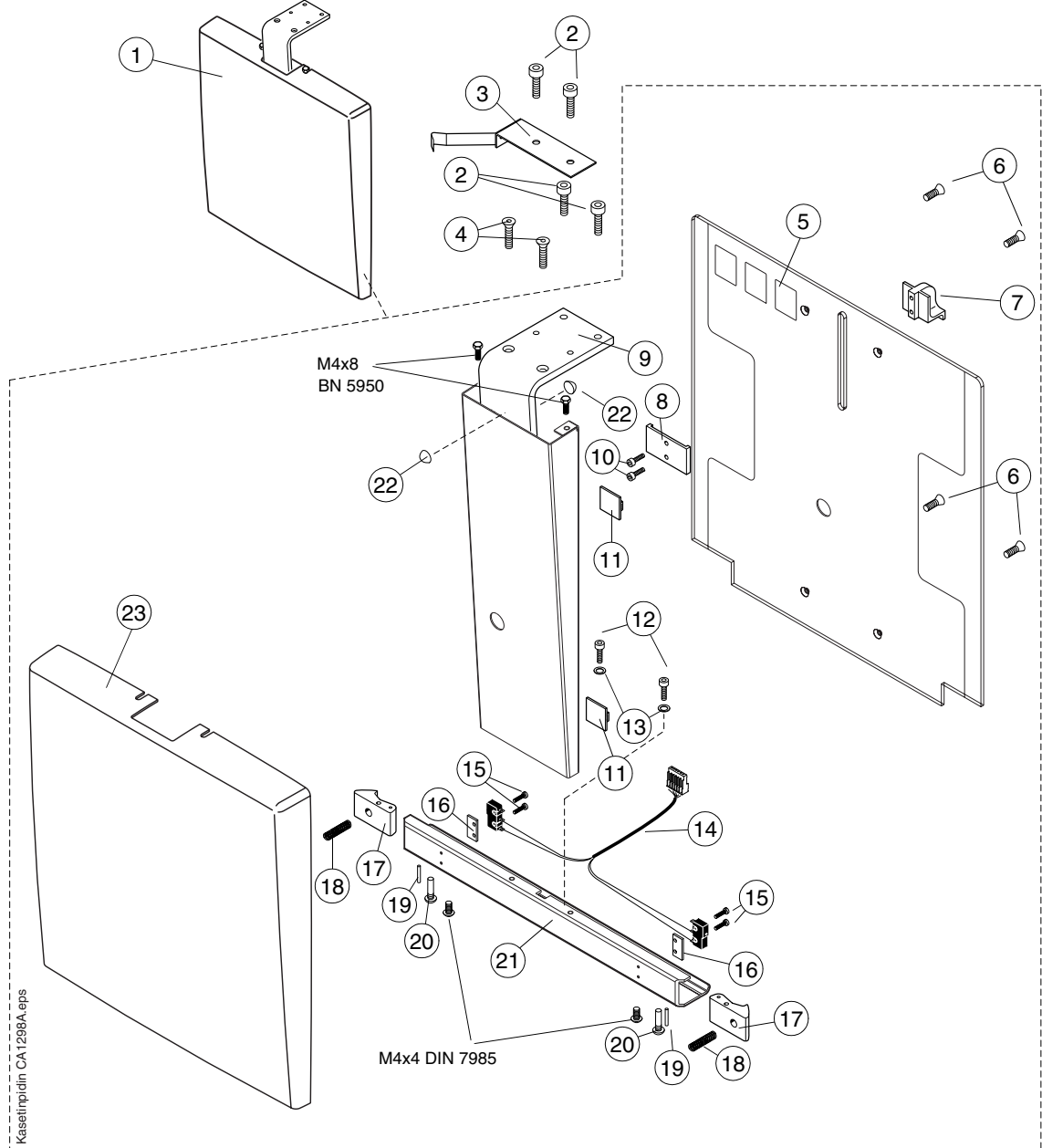
1.5 Ear post holder assemblies and nasal positioner holder assembly



Ref.	Part no.	Description
1	00004849	Screw M4x10 DIN 912
2	00002778	Screw M2x6 DIN 84
3	00002057	Screw M3x8 DIN 965
4	00654019	Spring
5	00626001	Screw M4x25 DIN 7984
6	00655092	Soft tissue filter scale, CM
7	00326121	Screw M4x6 ULS
8	00652220	Spacer
9	00653221	Lever plate
10	00665137	Ear post holder assembly
11	00652214	Extension piece

Ref.	Part no.	Description
12	00002060	Screw M4x8 DIN 916
13	00665138	Nasal positioner holder assembly
14	00001516	Bearing ball ø6
15	00654020	Spring
16	00622000	Needle roll

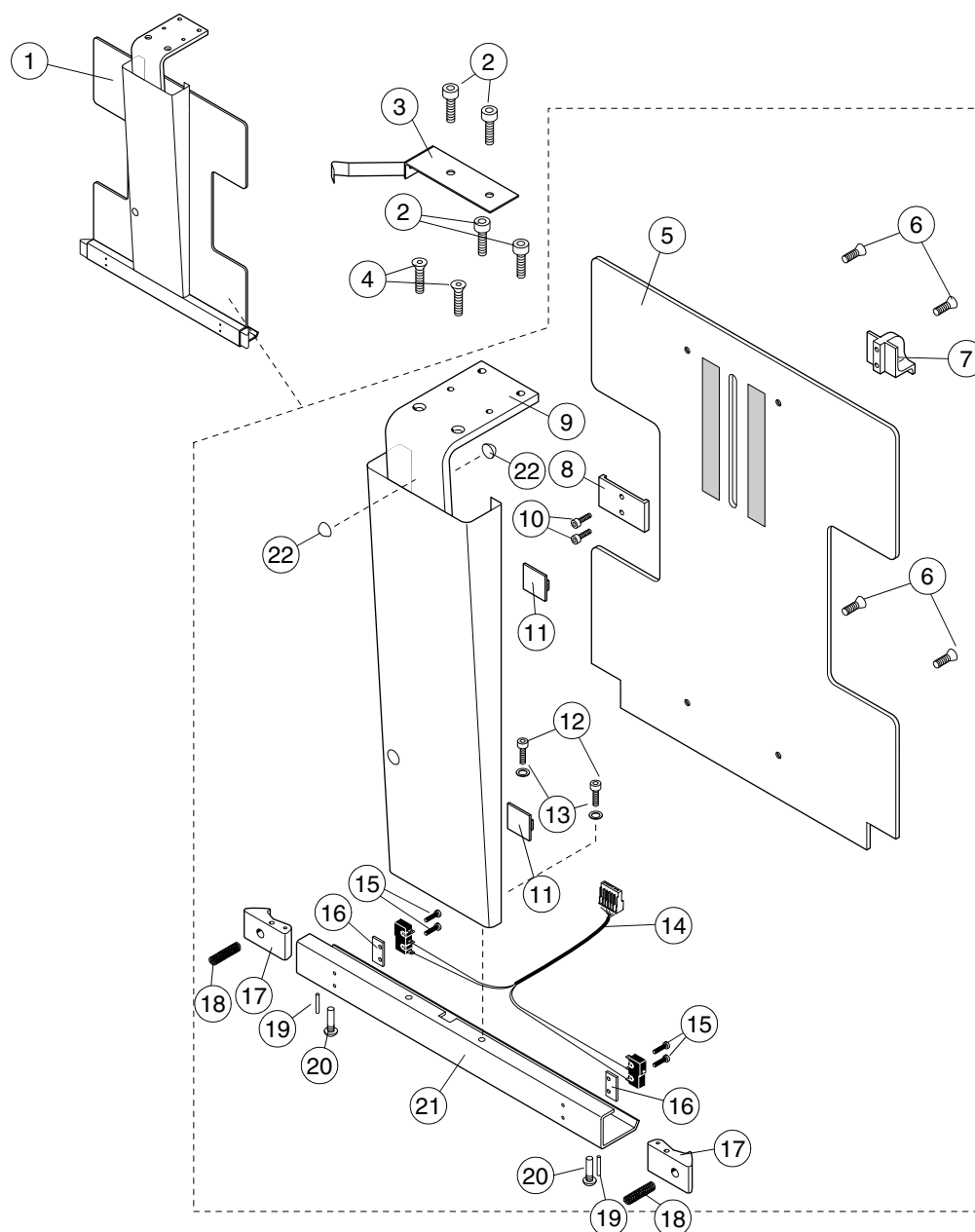
1.6 Cassette holder, CA new ceph.



Ref.	Part no.	Description
1A	00665186	Cassette holder 8"x10" CA
1B	00665188	Cassette holder 18cm x 24cm CA
2	00003108	Screw M4x10 DIN 7984
3	00665144	Spring plate
4	00326005	Screw M4x10 DIN 7991
5A	00655165	Plate 8"x10" CA
5B	00655166	Plate 18cm x 24cm CA
6	00003660	Screw M4x8 Zn DIN 7991
7	00652224	Cassette clip
8	00652225	Cassette holder plastic spring
9	00656004	Bracket
10	00326018	Screw M3x6 Zn DIN 912
11	00002269	Anchor
12	00004849	Screw M4x10 Zn DIN 912
13	00002999	Washer ø4.3 Zn DIN 125
14	00637119	Ceph-switch cable

Ref.	Part no.	Description
15	00002048	Screw M2x10 Zn DIN 84
16	00653118	Micro switch plate
17	00652222	Cassette stop
18	00654018	Spring
19	00622000	Needle roll
20	00652223	Cassette holder axle
21A	00653215	Support strip 8"x10" CA
21B	00653216	Support strip 18cm x 24cm CA
22	00124001	Rubber pad
23A	00665182	Ceph-cover 8"x10" CA
23B	00665184	Ceph-cover 18cm x 24cm CA

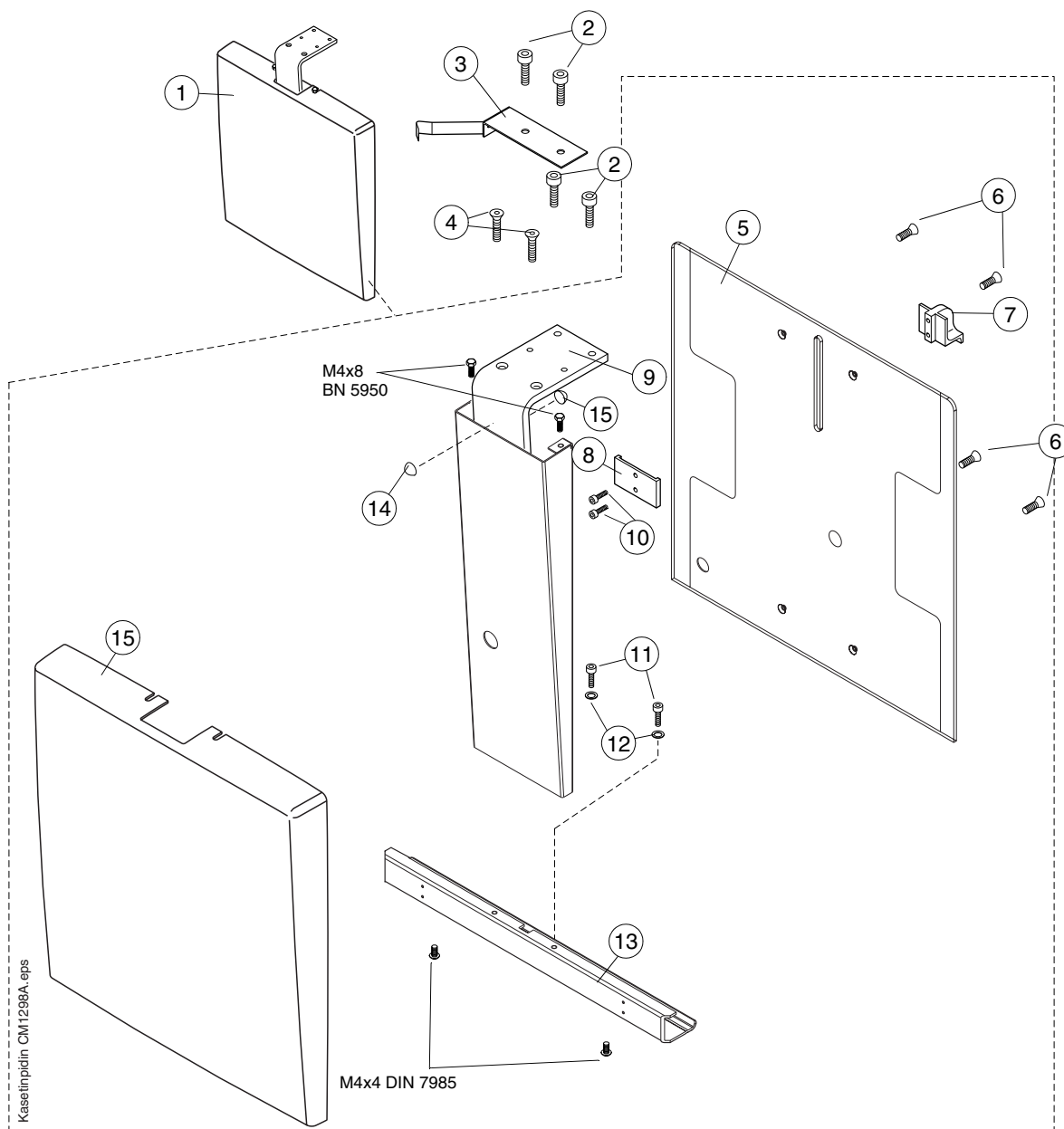
1.7 Cassette holder, CA



Ref.	Part no.	Description
1A	00665134	Cassette holder 8"x10" CA
1B	00665132	Cassette holder 18cm x 24cm CA
2	00003108	Screw M4x10 DIN 7984
3	00665144	Spring plate
4	00326005	Screw M4x10 DIN 7991
5A	00671068	Plate 8"x10" CA
5B	00671067	Plate 18cm x 24cm CA
6	00003660	Screw M4x8 Zn DIN 7991
7	00652224	Cassette clip
8	00652225	Cassette holder plastic spring
9	00655079	Bracket
10	00326018	Screw M3x6 Zn DIN 912
11	00002269	Anchor
12	00004849	Screw M4x10 Zn DIN 912

Ref.	Part no.	Description
13	00002999	Washer ø4.3 Zn DIN 125
14	00637119	Ceph-switch cable
15	00002048	Screw M2x10 Zn DIN 84
16	00653118	Micro switch plate
17	00652222	Cassette stop
18	00654018	Spring
19	00622000	Needle roll
20	00652223	Cassette holder axle
21A	00655084	Support strip 8"x10" CA
21B	00655083	Support strip 18cm x 24cm CA
22	00124001	Rubber pad

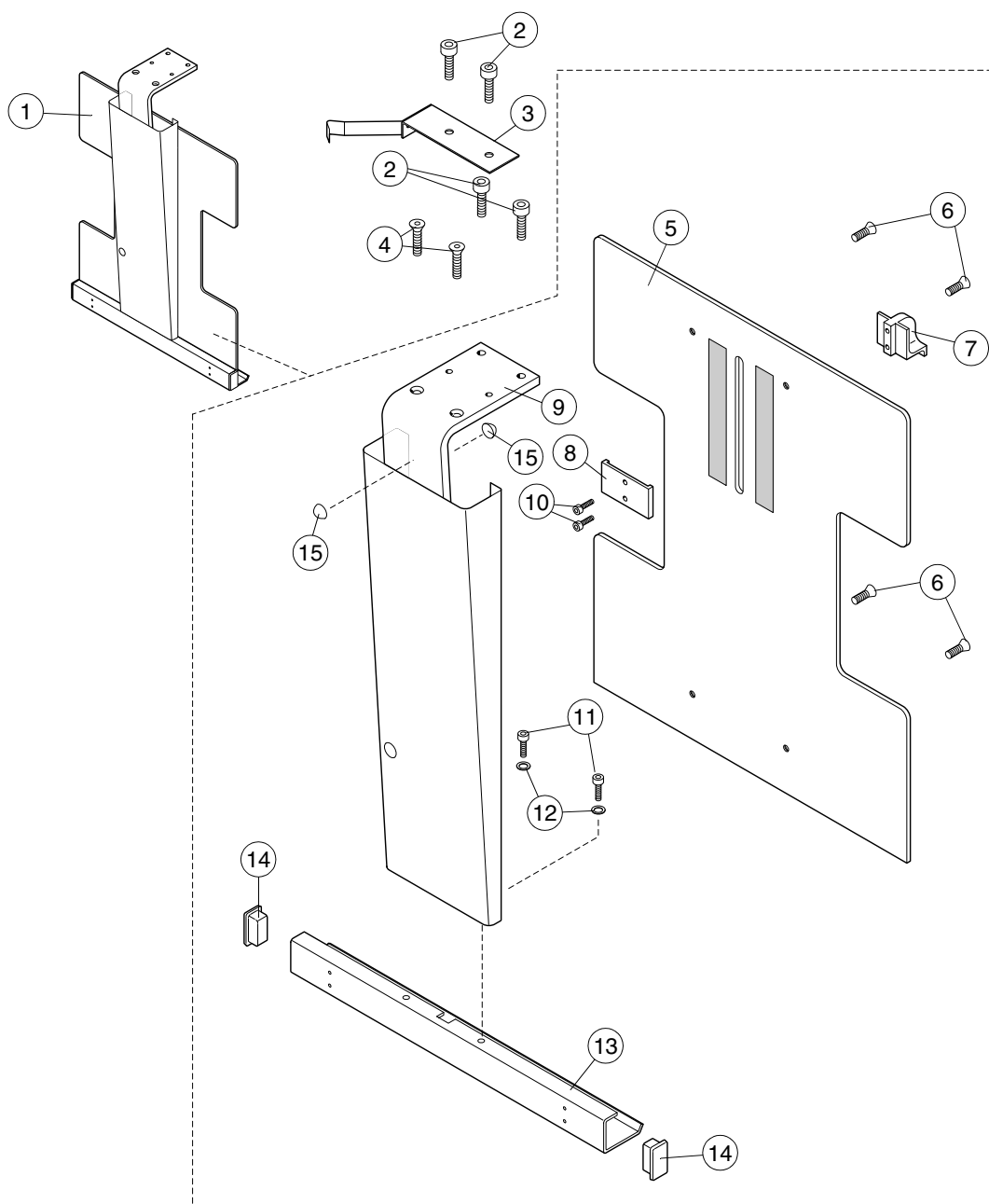
1.8 Cassette holder, CM new ceph.



Ref.	Part no.	Description
1A	00665185	Cassette holder 8"x10" CM
1B	00665187	Cassette holder 18cm x 24cm CM
2	00003108	Screw M4x10 DIN 7984
3	00665144	Spring plate
4	00326005	Screw M4x10 DIN 7991
5A	00655163	Plate 8"x10" CM
5B	00655164	Plate 18cm x 24cm CM
6	00003660	Screw M4x8 Zn DIN 7991
7	00652224	Cassette clip
8	00652225	Cassette holder plastic spring
9	00656004	Bracket
10	00326018	Screw M3x6 Zn DIN 912
11	00004849	Screw M4x10 Zn DIN 912
12	00002999	Washer ø4.3 Zn DIN 125

Ref.	Part no.	Description
13A	00653217	Support strip 8"x10" CM
13B	00653218	Support strip 18cm x 24cm CM
14	00124001	Rubber pad
15A	00665183	Ceph-cover 8"x10" CM
15B	00665189	Ceph-cover 18cm x 24cm CM

1.9 Cassette holder, CM

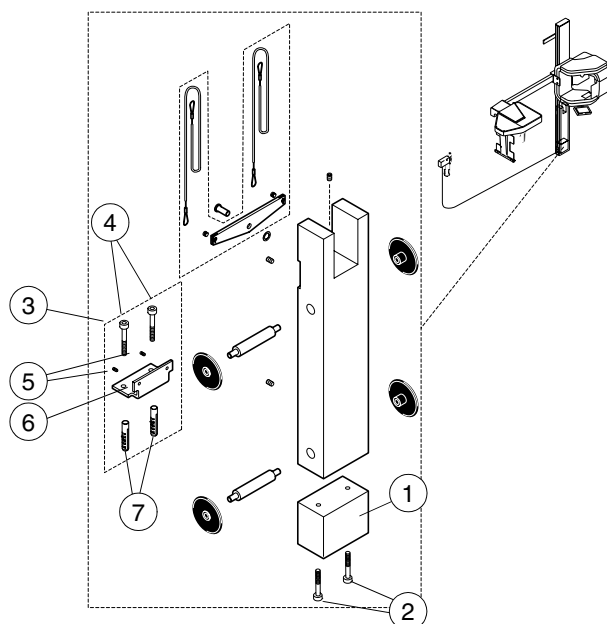


Ref.	Part no.	Description
1A	00665135	Cassette holder 8"x10" CM
1B	00665133	Cassette holder 18cm x 24cm CM
2	00003108	Screw M4x10 DIN 7984
3	00665144	Spring plate
4	00326005	Screw M4x10 DIN 7991
5A	00671070	Plate 8"x10" CM
5B	00671069	Plate 18cm x 24cm CM
6	00003660	Screw M4x8 Zn DIN 7991
7	00652224	Cassette clip
8	00652225	Cassette holder plastic spring
9	00655079	Bracket
10	00326018	Screw M3x6 Zn DIN 912
11	00004849	Screw M4x10 Zn DIN 912
12	00002999	Washer ø4.3 Zn DIN 125

Ref.	Part no.	Description
13A	00655085	Support strip 8"x10" CM
13B	00655086	Support strip 18cm x 24cm CM
14	00650519	Cassette stop
15	00124001	Rubber pad

2 PARTS TO PANORAMIC UNIT WITH CEPHALOSTAT

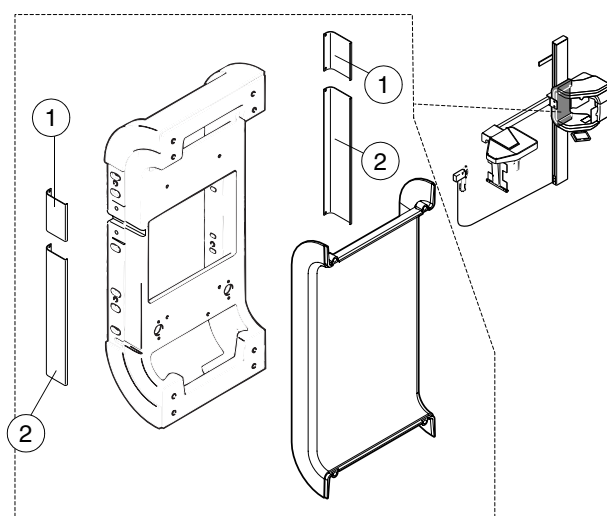
2.1 Column



Ref.	Part no.	Description
1	00006882	Ceph counterweight
2	00326022	Screw M8x55 DIN 7984
3	00671058	Lower bracket assembly
4	00003097	Screw M8x55 DIN 912 Zn

Ref.	Part no.	Description
5	00003141	Screw M6x6 DIN 916
6	00007498	Lower bracket
7	00327039	Expansion anchors

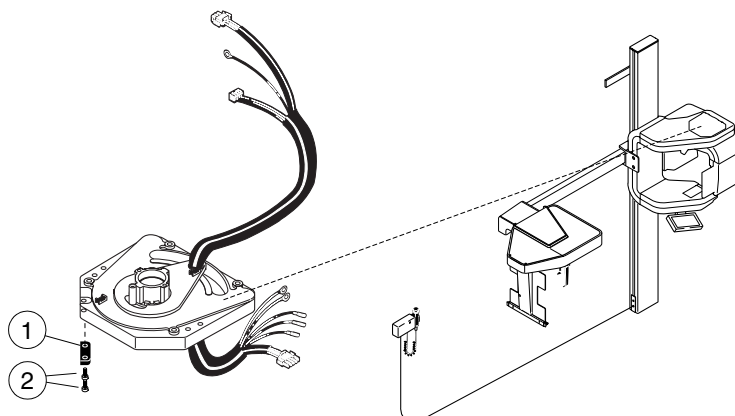
2.2 Z-carriage



Ref.	Part no.	Description
1	00655080	Cover strip

Ref.	Part no.	Description
2	00655081	Cover strip

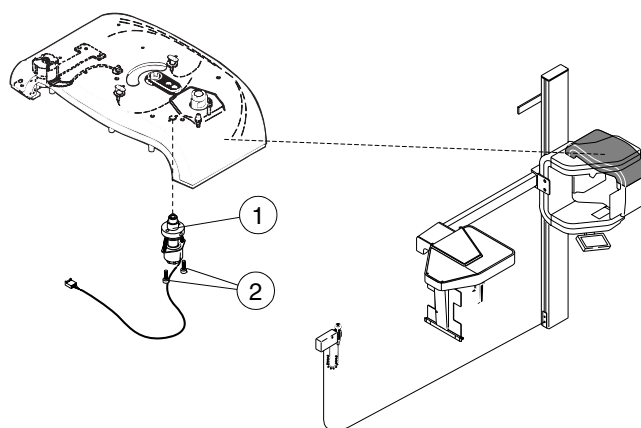
2.3 Upper shelf



Ref.	Part no.	Description
1	00006858	Locking latch

Ref.	Part no.	Description
2	00002922	Screw M4x8 DIN 912

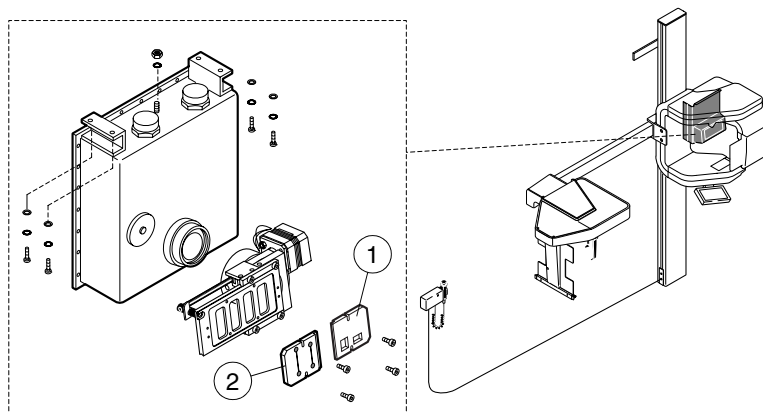
2.4 Rotating unit



Ref.	Part no.	Description
1	00665190	Locking motor (NOTE! Needs new generator processor 105-10-03C or later, code 0665180 and software PG 2.01 or later)

Ref.	Part no.	Description
2	00002922	Screw M4x8 DIN 912

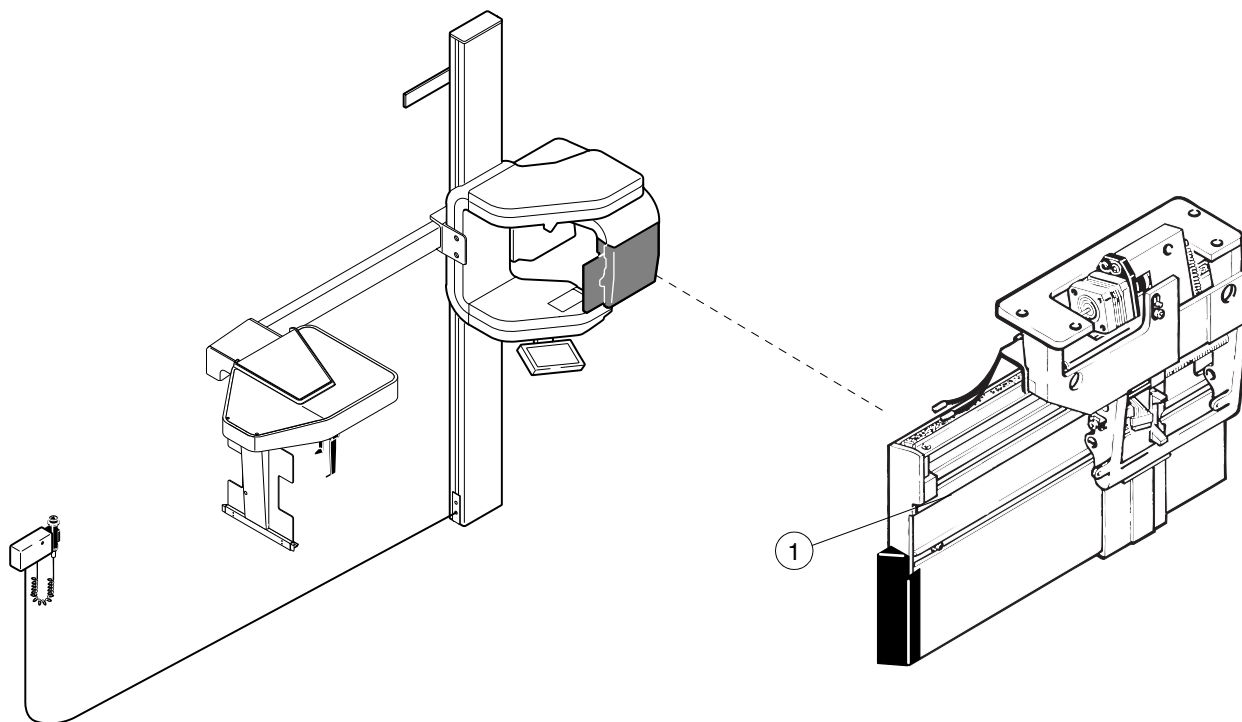
2.5 Tube head



Ref.	Part no.	Description
1A	00007023	Ceph. primary aperture 18cm x 24cm
1B	00007459	Ceph. primary aperture 8"x10"

Ref.	Part no.	Description
2	00006834	Ceph. primary slot

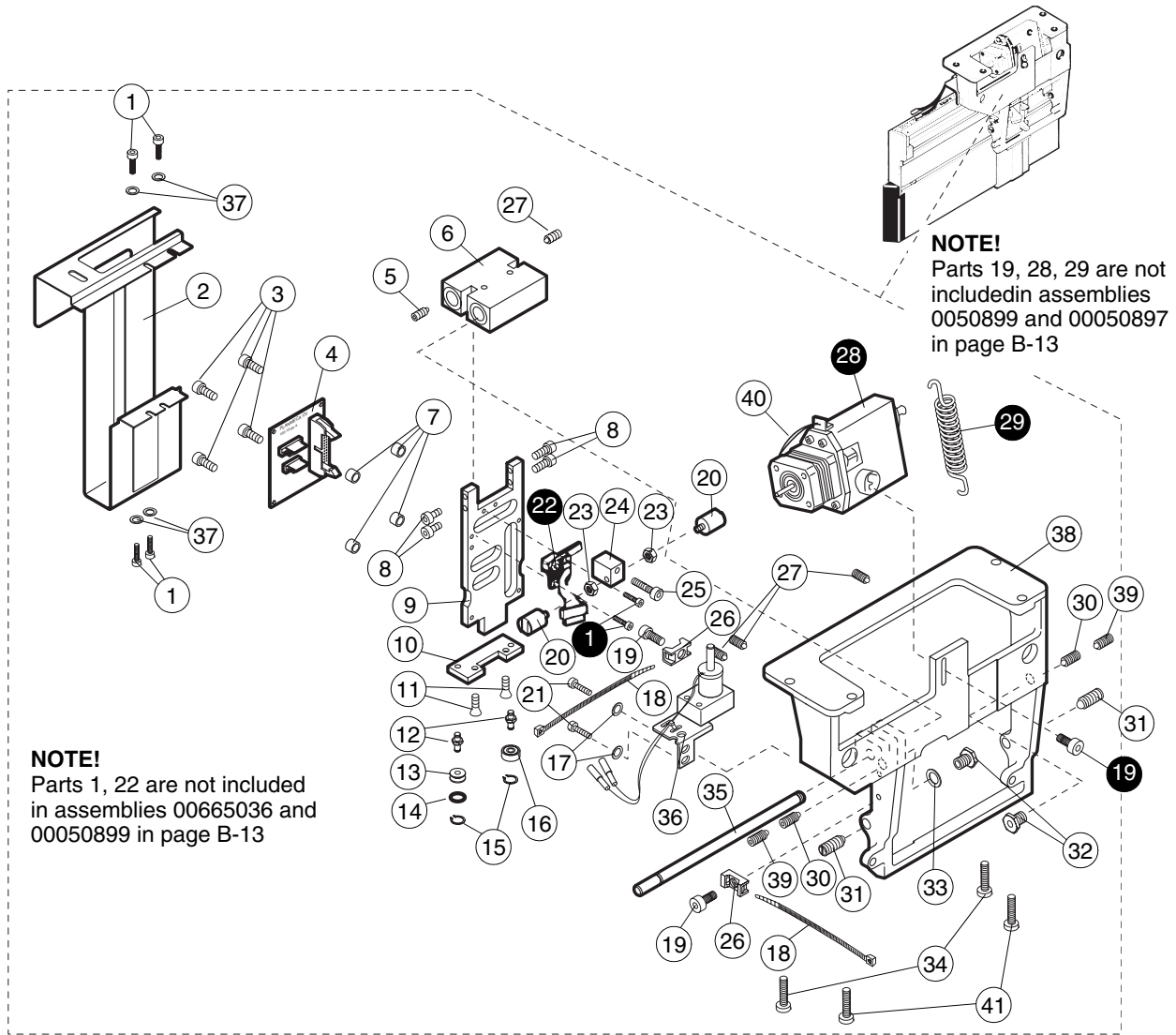
2.6 Cassette carriage



Ref.	Part no.	Description
1A	00665036	Cephalometric cassette carriage complete see pages B-14...B-15
1B	00050899	Cephalometric cassette carriage complete - without motor see pages B-14...B-15
1C	00665038	Cephalometric cassette carriage complete see pages B-14...B-15 - includes cassette (autoprint, see page A-34)

Ref.	Part no.	Description
1D	00050897	Cephalometric cassette carriage complete see pages B-14...B-15 - without motor - includes cassette (autoprint, see page A-34)

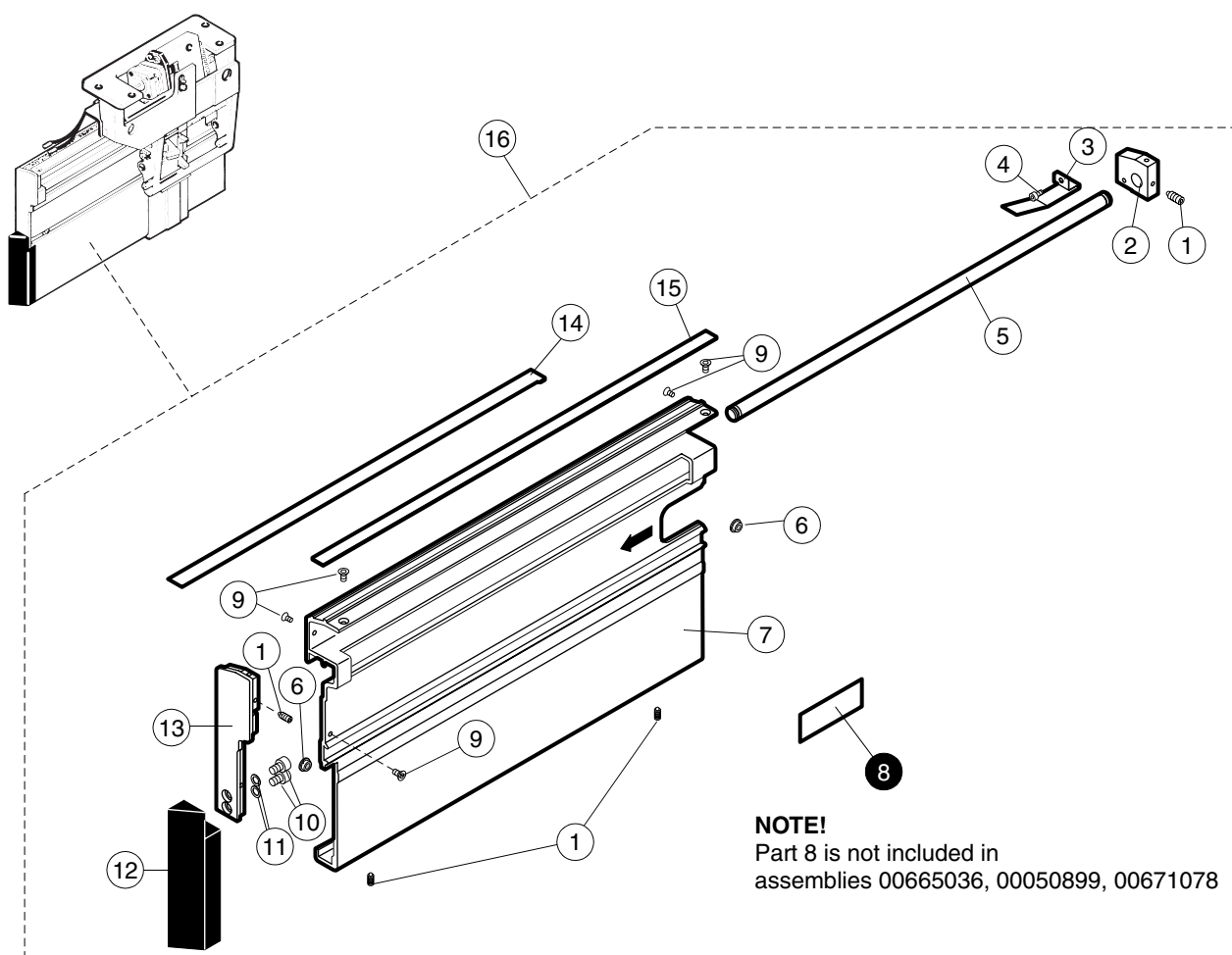
2.6.1 Cassette driving mechanism



Ref.	Part no.	Description
1	00326018	Screw M3x6 DIN 912
2	00007226	Inner secondary slot
3	00326036	Screw M3x10 DIN 912
4	00050715	Cassette limits PCB 105-10-04
5	00006634	Screw M4x10 DIN 913
6	00671087	Bearing block assembly ø10mm
7	00002221	Spacer ø6/4.1x4
8	00006335	Screw M4x16 DIN 7984
9	00005263	Slide frame
10	00005265	Plate
11	00003660	Screw M4x8 DIN 7991
12	00005267	Pin
13	00007201	Roller
14	00007171	O-ring 7x3
15	00006005	Circlip ø4 DIN 471
16	00005702	Bearing
17	00002999	Washer ø4.3/9 DIN 125
18	00001490	Cable tie
19	00326015	Screw M4x6 DIN 7984
20	00007353	Positioning magnet C12-00 (ceph)
21	00004849	Screw M4x10 DIN 912

Ref.	Part no.	Description
22	00661522	Labeling head (Autoprint only)
23	00002400	Nut M4 DIN 934
24	00007370	Block
25	00626001	Screw M4x25 DIN 7984
26	00007016	Base
27	00003143	Screw M4x6 DIN 916
28	00665050	Cassette motor
29	00005288	Spring
30	00003132	Screw M5x8 DIN 915
31	00665026	Stop magnet
32	00007371	Positioning screw holder (ceph)
33	00003003	Washer ø8.4/17 DIN 125
34	00003297	Screw M6x12 DIN 7984
35	00005269	Axle
36	10004223	M224c-24V- solenoid assembly (ceph)
37	00327034	Washer ø3 DIN 125
38	00655105	Cassette holder frame
39	00005069	Screw M5x5 DIN 916
40	10000339	Step motor connection cable
41	00003297	Screw M6x20 DIN 7984

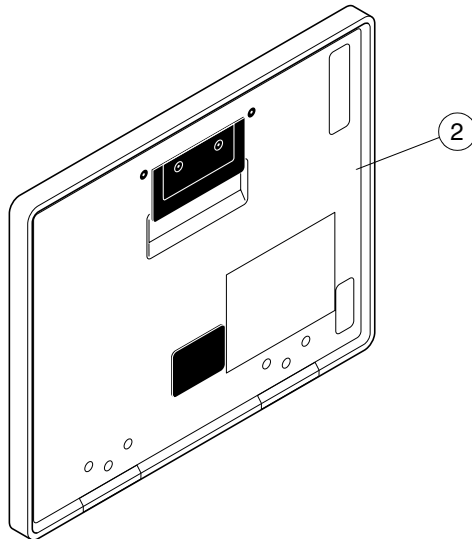
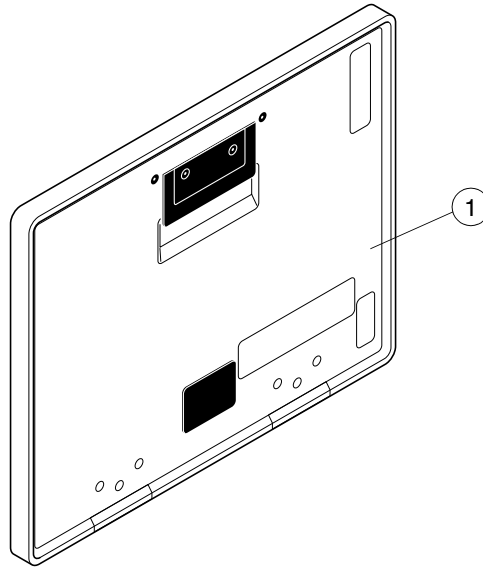
2.6.2 Cassette holder profile



Ref.	Part no.	Description
1	00003137	Screw M3x3 DIN 916
2	00005245	Axle block
3	00005247	Spring
4	00326018	Screw M3x6 DIN 912
5	00005249	Slide axle \varnothing 10mm
6	00665027	Stop magnet
7	00007059	Cassette holder profile
8	00003485	Label (LBL-XA-002)(Autoprint only)
9	00326016	Screw M3x6 DIN 7991
10	00326015	Screw M4x6 DIN 7984
11	00002999	Washer \varnothing 4.3/9 DIN 125
12	00007002	Soft tissue piece
13	00007058	Short end piece
14	00005250	Lower guide strip

Ref.	Part no.	Description
15	00005682	Friction strip
16	00671078	Cassette holder profile complete

2.6.3 Cassettes



Ref.	Part no.	Description
1	10005805	Cassette, XMT Leadless LX Reg C2 (18x24)
2	10005806	Cassette XMT Leadless LX Reg C2 (8"x10")

TRANSVERSAL SLICING SYSTEM

- Transversal slicing system retrofit kit, code 665105 for Planmeca Proline CC Panoramic x-ray units

NOTE!

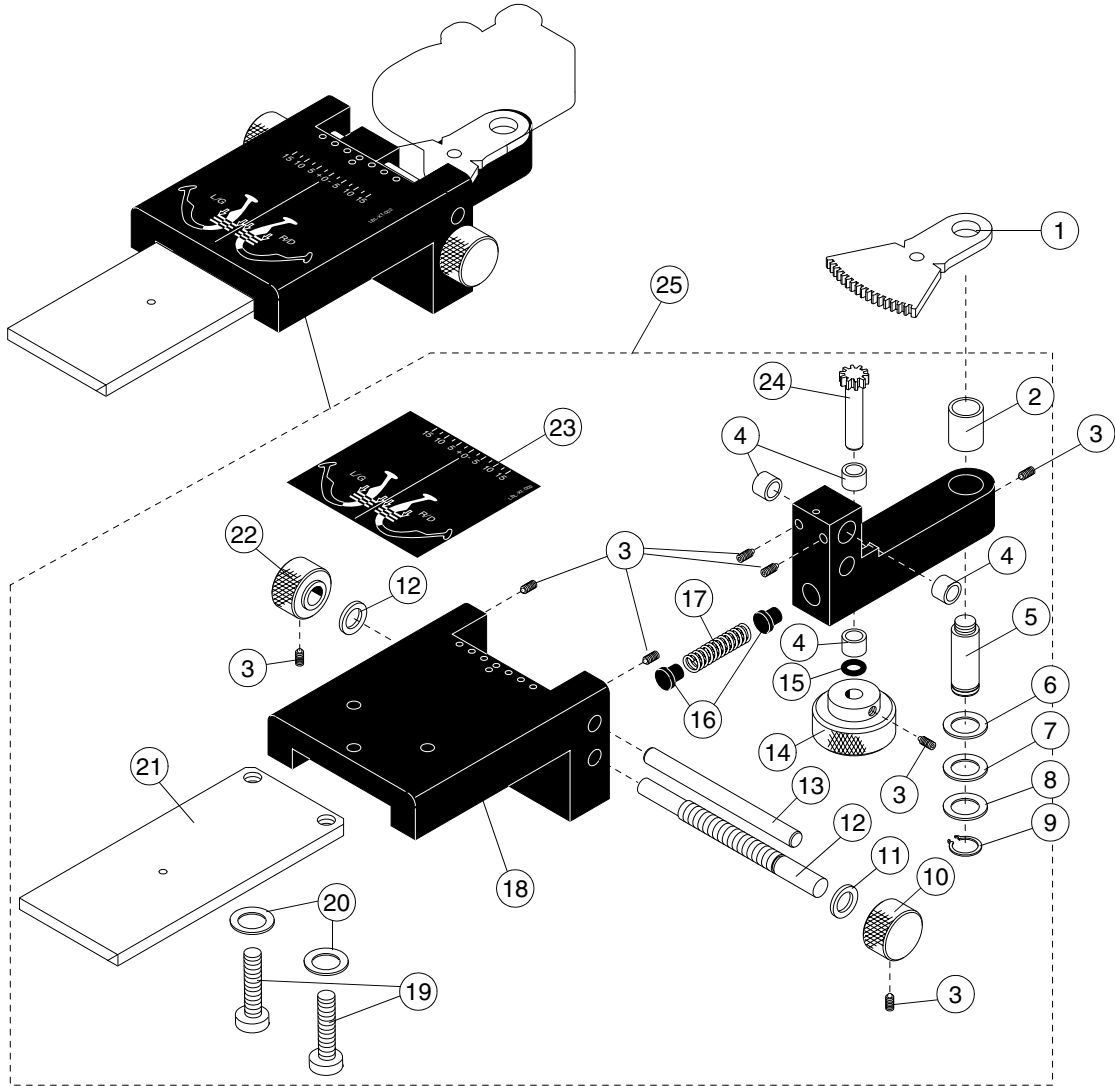
The retrofit kit includes parts:

- all parts pages C-2...C-4,
- parts 2, 4 and 7 page C-5,
- all parts page C-6,
- part 1 page C-7,
- all parts pages C-10...C-12

1 HEAD SUPPORT

1.1 Jaw positioner holder

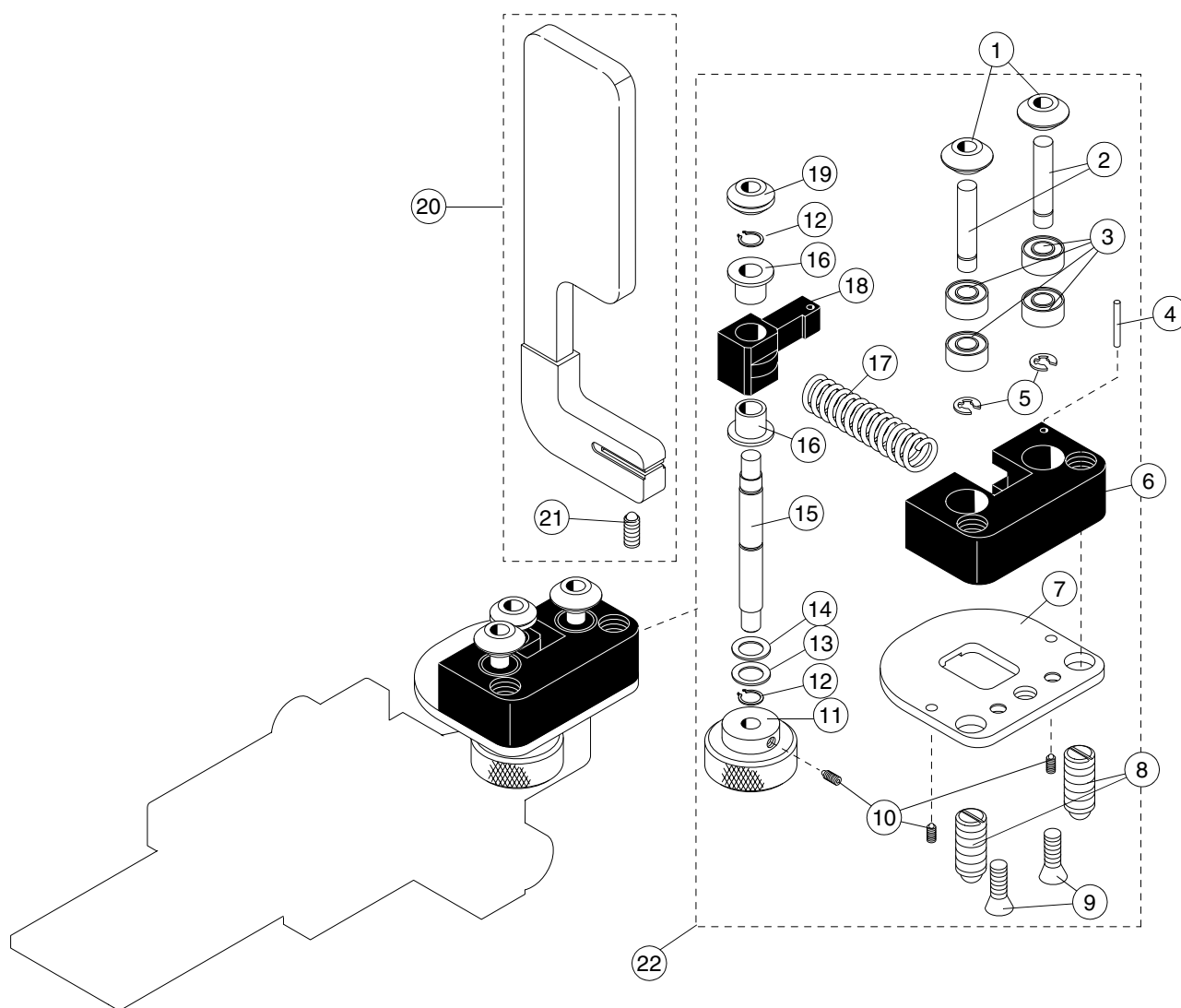
1.1.1 Positioner body assembly



Ref	Part no.	Description
1	00653093	Angle plate
2	00622005	Slide bearing
3	00003391	Screw M3x4 DIN 916
4	00622003	Slide bearing
5	00652152	Turning shaft
6	00000701	Washer ø8/14x0.5 DIN 988
7	00006427	Washer ø8/14x0.3 DIN 988
8	00007083	Washer ø8/14x0.2 DIN 988
9	00000723	Circlip A8 DIN 471
10	00652166	Left centering knob
11	00003462	Washer ø6/12x0.3 DIN 988
12	00652164	Centering screw
13	00652163	Guide shaft
14	00652160	Turning knob
15	00653119	Washer ø13/4.5x0.5

Ref	Part no.	Description
16	00652178	Latch button
17	00654000	Spring
18	00652169	Positioner body
19	00326026	Screw M4x8 DIN 7984
20	00327021	Washer ø4.3 DIN 127
21	00005231	Slide plate
22	00652165	Right centering knob
23	00620032	Label LBL-XT-002
24	00652157	Angle wheel
25	00671056	Positioner body assembly

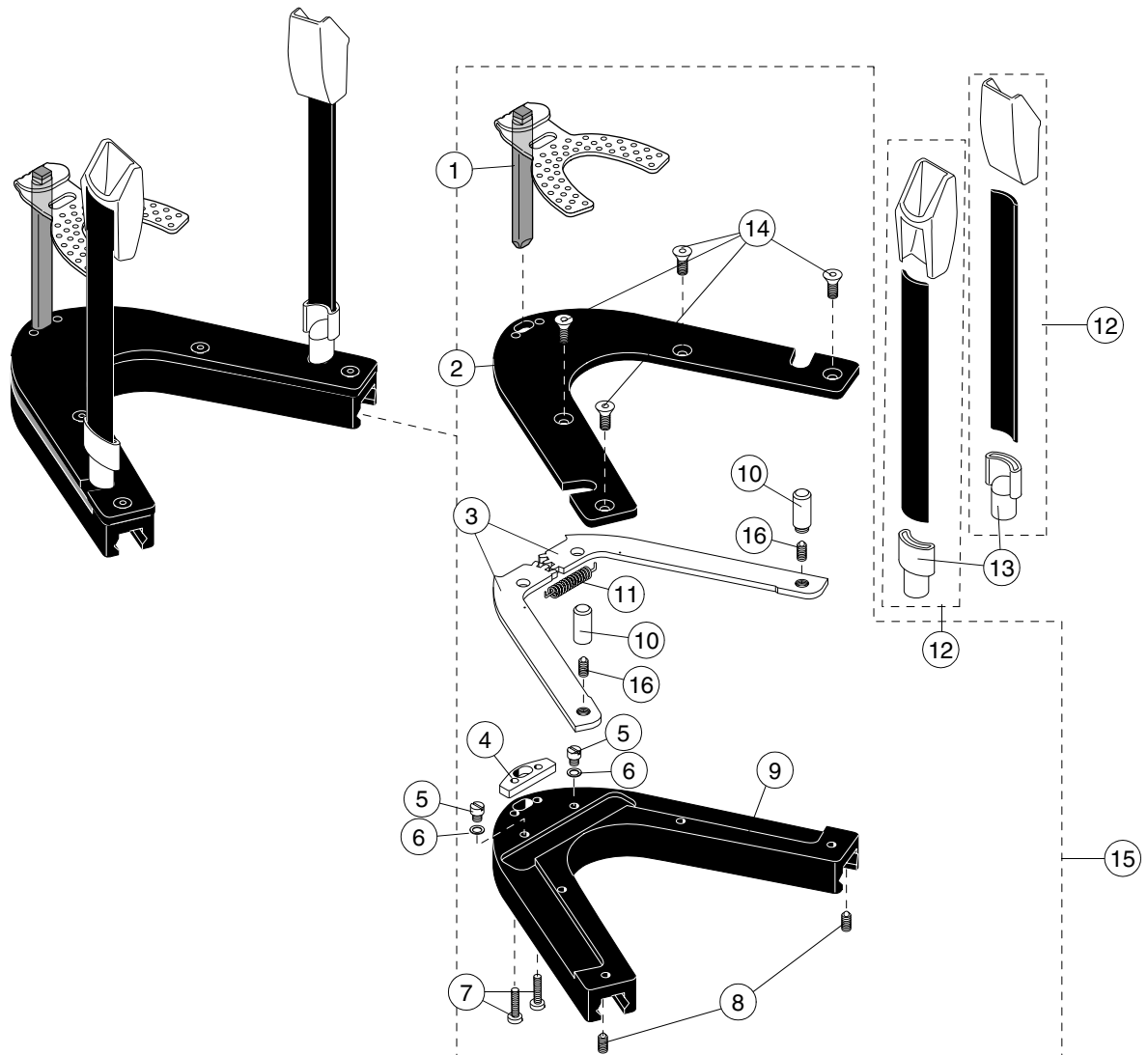
1.1.2 Carriage assembly



Ref	Part no.	Description
1	00652155	Sheave
2	00652154	Free shaft
3	00622006	Ball bearing
4	00622000	Needle roll
5	00327041	Circlip A3.2 DIN 6799
6	00652149	Carriage
7	00652151	Bottom plate
8	00627005	Screw GN 615 M8K
9	00326005	Screw M4x10 DIN 7991
10	00003391	Screw M3x4 DIN 916
11	00652160	Turning knob
12	00000722	Circlip A6 DIN 471
13	00003462	Washer ø6/12x0.3 DIN 988
14	00002488	Washer ø6/12x0.5 DIN 988

Ref	Part no.	Description
15	00652156	Power shaft
16	00622004	Slide bearing
17	00654014	Spring
18	00652150	Rocker
19	00652161	Power wheel
20	00656007	Sight plate assy
21	00627006	Screw GN 615 M4K
22	00671053	Carriage assembly

1.2 Patient positioner assembly



Ref	Part no.	Description
1	00665531	Bite registration plate set (10 pcs. holders and 50 pcs. plates)
2	00652170	Top cover
3	00653092	Side support bar -pair
4	00650005	Bumper
5	00652159	Screw
6	00002488	Washer $\varnothing 12/6 \times 0.5$ DIN 988
7	00003294	Screw M4x20 DIN 7984 Zn
8	00626006	Screw M4x12 DIN 913
9	00652153	U-profile
10	00652158	Locking pin
11	00654012	Spring

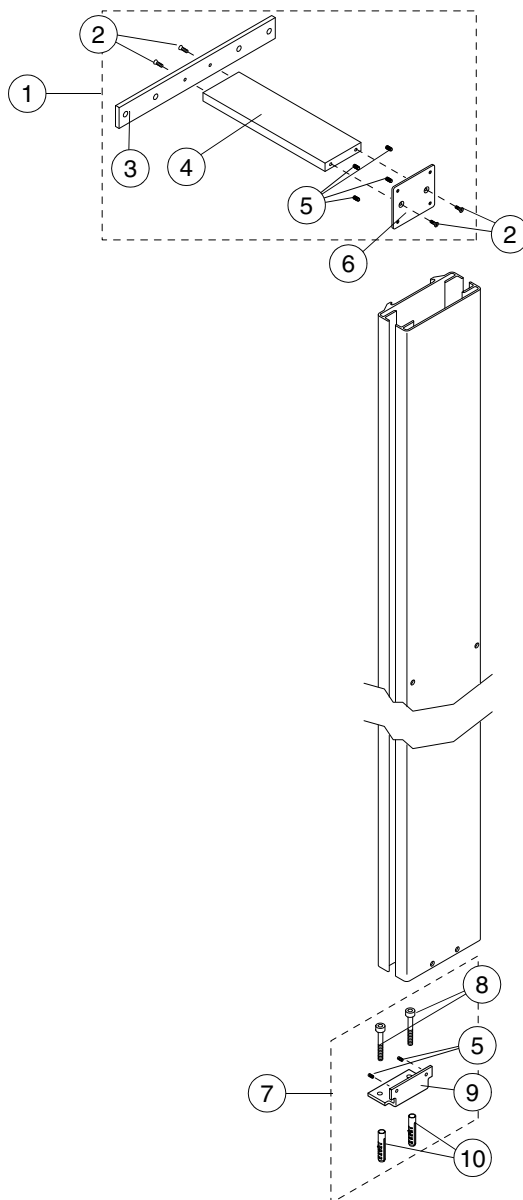
Ref	Part no.	Description
12	00665519	Temple support
13	00005851	Holder
14	00002512	Screw M4x8 DIN 7991
15	00671055	Patient positioner assembly
16	00005056	Screw M6x8 DIN 916

2 OTHER PARTS

2.1 Column

2.1.1 Wall bracket assembly

2.1.2 Lower bracket assembly

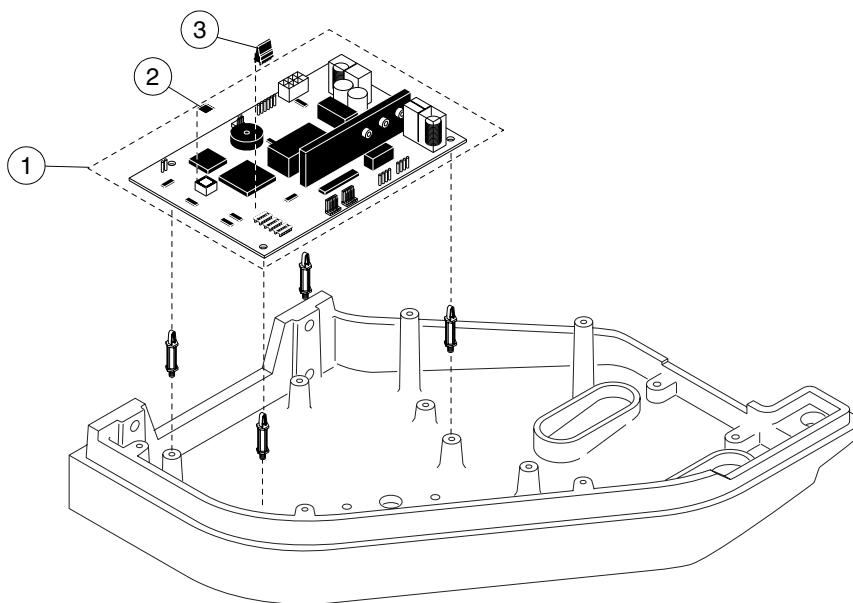


Ref	Part no.	Description
1	00671057	Wall bracket complete
2	00006964	Screw M6x20 DIN 7991
3	00006831	Wall plate
4	00655070	Wall bracket
5	00003141	Screw M6x6 DIN 916
6	00006829	Clamp plate

Ref	Part no.	Description
7	00671058	Lower bracket assembly
8	00003097	Screw M8x55 DIN 912 Zn
9	00007498	Lower bracket
10	00327039	Expansion anchors

2.2 Lower shelf

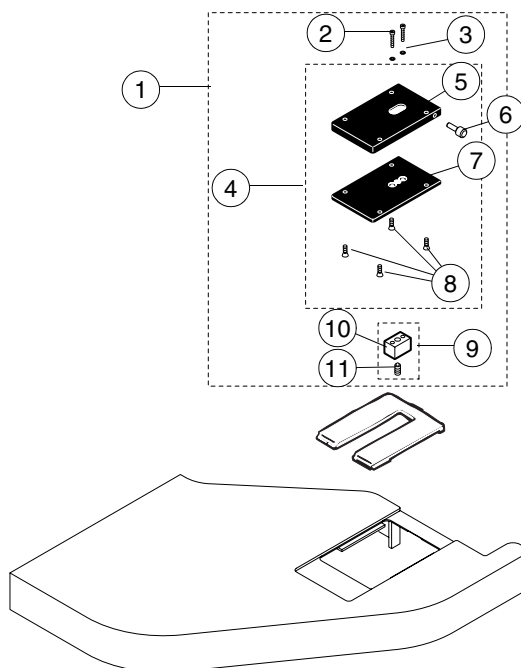
2.2.1 Keyboard processor



Ref	Part no.	Description
1	00665070	Keyboard processor PCB 105-10-06
2	00471087	Software

Ref	Part no.	Description
3	00637019	Lock key TR

2.2.2 Support holder TR

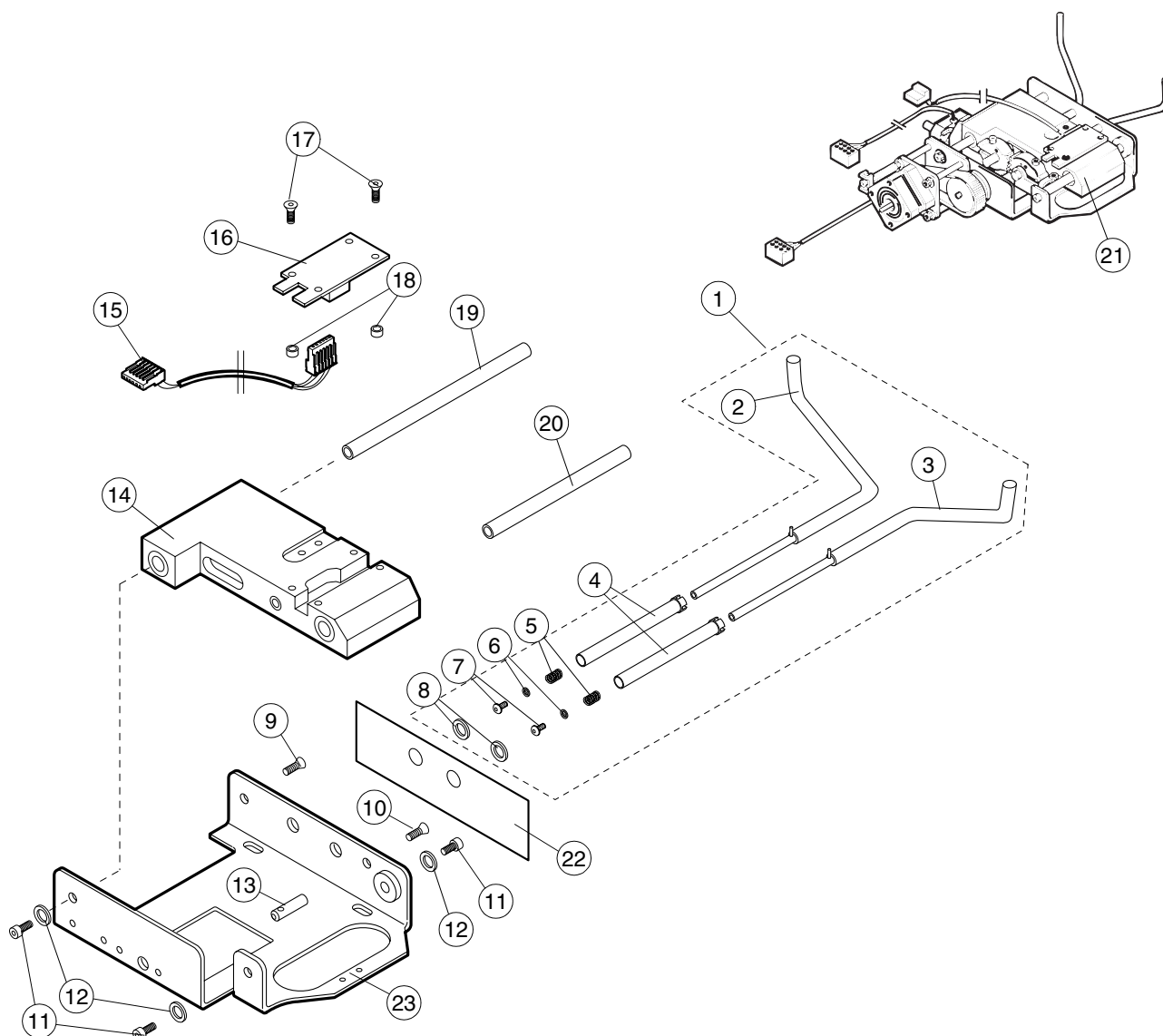


Ref	Part no.	Description
1	00671033	Support holder - with latch
2	00626001	Screw M4x25 DIN 7984
3	00627001	Washer ø4/8x0.1 DIN 988
4	00665521	Support holder -without latch
5	00652176	Plate cover
6	00652187	Finger screw

Ref	Part no.	Description
7	00005226	Plate
8	00002050	Screw M4x6 DIN 7991 Zn
9	00665015	Latch block assembly
10	00005225	Fixing block
11	00004820	Ball latch M6x14 GN615

2.2.3 Patient positioning mechanism

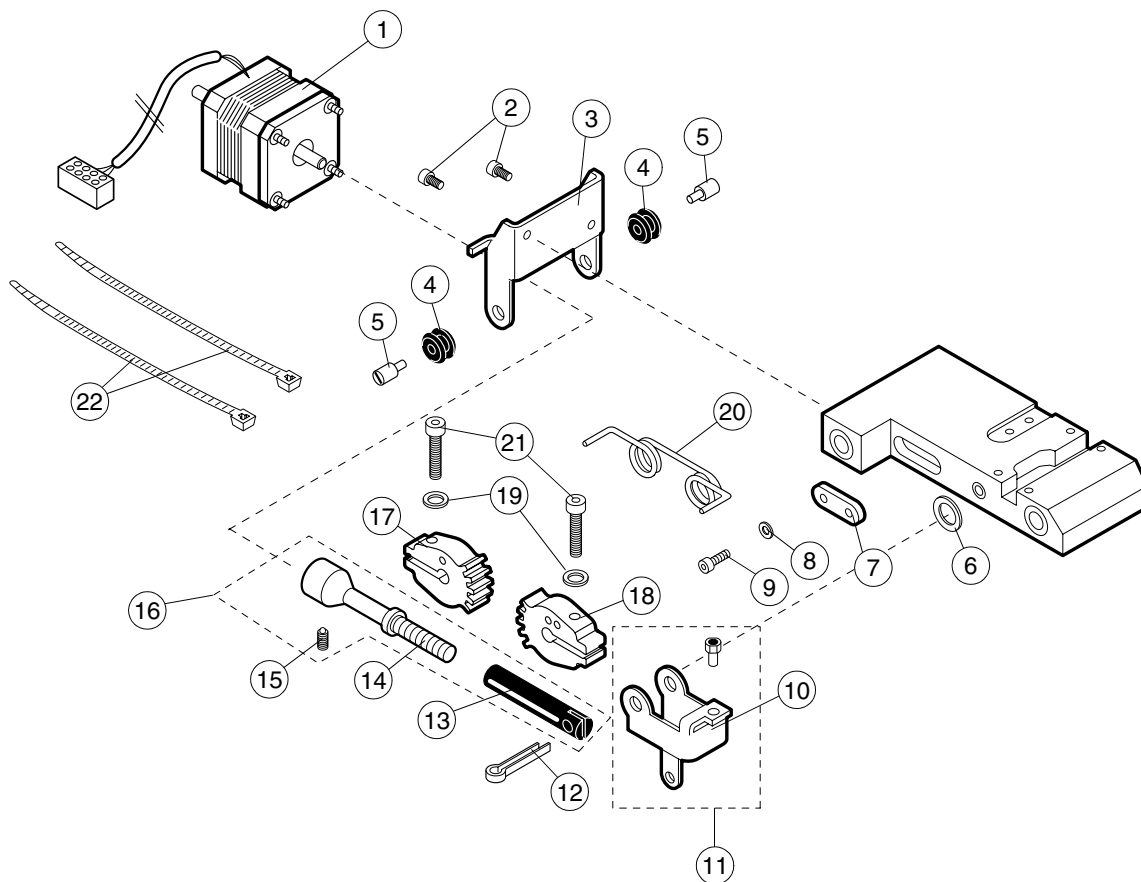
2.2.3.1 Trans arm pair



Ref	Part no.	Description
1	00665522	Trans arm pair
2	00654015	Trans arm, right
3	00654016	Trans arm, left
4	00652167	Sleeve
5	00654017	Spring
6	00002998	Washer ø3.2/7 DIN 125
7	00326095	Screw M3x6 ULS
8	00000701	Washer ø8/14x0.5
9	00006622	Screw M5x10 DIN 7991
10	00002510	Screw M4x6 DIN 7991
11	00001497	Screw M5x10 DIN 7984 Zn
12	00003000	Washer ø5.3/10 DIN 125
13	00665019	Pin
14	00665057	Holder block assembly

Ref	Part no.	Description
15	00050826	Layer limit card cable
16	00050730	Layer/Hold limits PCB105-10-07
17	00002057	Screw M3x8 DIN 965
18	00005140	Spacer
19	00005122	Axle, long
20	00005123	Axle, short
21	00665101	Patient positioning mechanism Including all parts shown in pages C-7...C-9
22	00007245	Sticker
23	00005921	Chassis

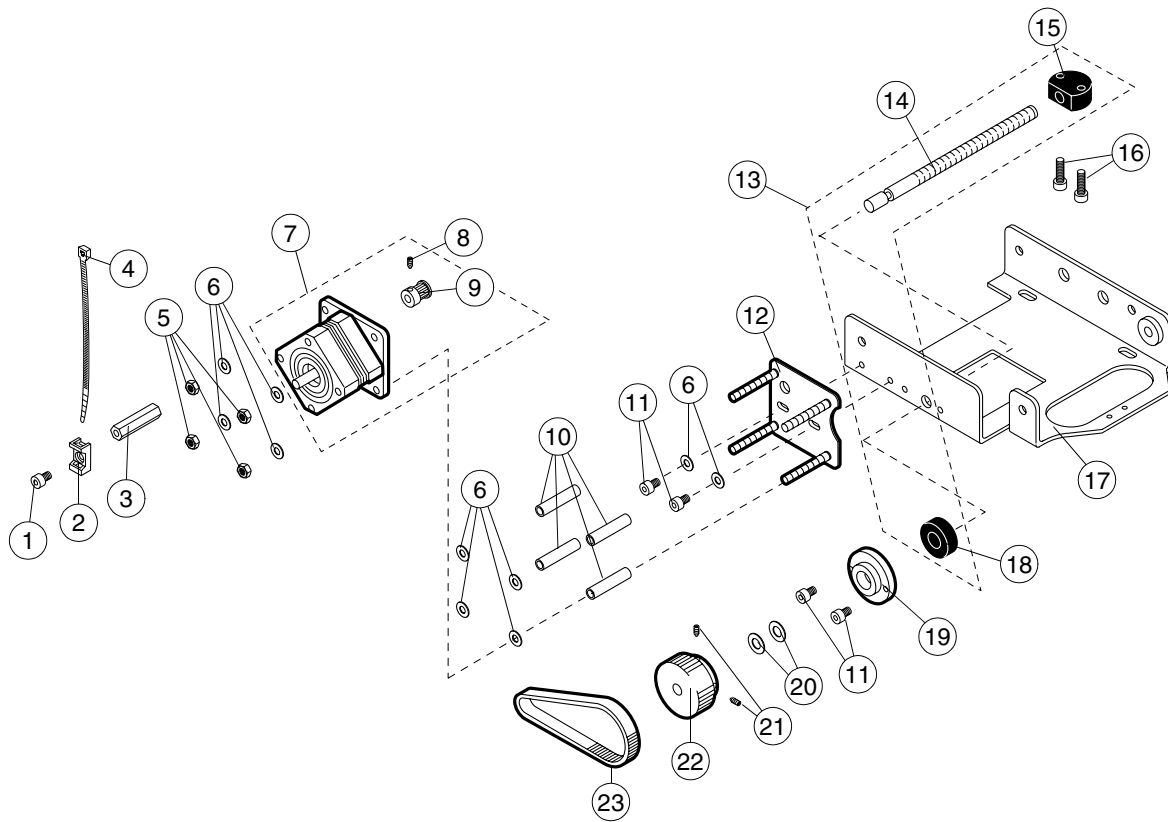
2.2.3.2 Temple support motor



Ref	Part no.	Description
1	00665021	Temple support motor
2	00326018	Screw M3x6 DIN 912
3	00005132	Motor holder
4	00005864	Rubber damper
5	00005137	Pivot screw
6	00000701	Washer ø8/14x0.5
7	00665053	Plate assembly
8	00002999	Washer ø4.3/9 DIN 125
9	00003388	Screw M4x16 DIN 933
10	00005130	Releasing lever
11	00665020	Releasing lever assembly
12	00006524	Split pin A4 DIN 94
13	00005136	Adjusting screw
14	00005135	Motor shaft

Ref	Part no.	Description
15	00003138	Screw M4x4 DIN 916
16	00665051	Shaft assembly
17	00007605	Quadrant, left
18	00007604	Quadrant, right
19	00006426	Washer ø4/8x0.5 DIN 988
20	00007345	Spring
21	00003254	Screw M4x20 DIN 912
22	00001490	Cable tie

2.2.3.3 Patient positioning mechanism motor

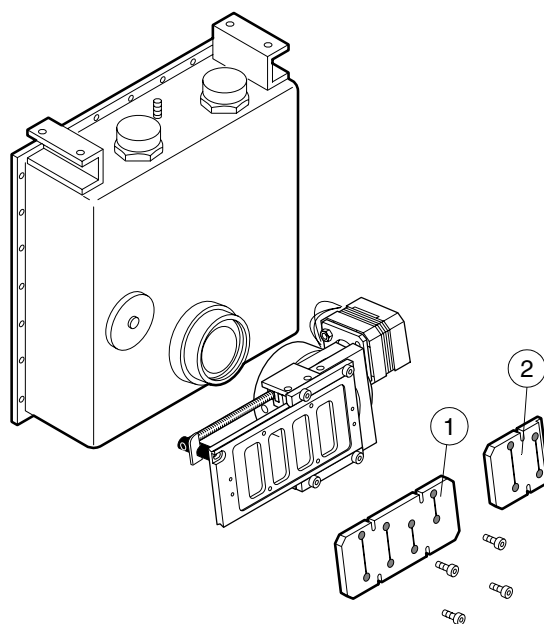


Ref	Part no.	Description
1	00326015	Screw M4x6 DIN 7984
2	00007016	Base
3	00006020	Pillar
4	00001490	Cable tie
5	00002400	Nut M4 DIN 125
6	00002999	Washer ø4.2/9 DIN 125
7	00665022	Patient positioning mechanism motor assembly
8	00003137	Screw M3x3 DIN 916
9	00005223	Drive wheel
10	00005148	Sleeve
11	00006520	Screw M4x6 DIN 912
12	00005147	Motor holder
13	00665058	Traction screw assembly

Ref	Part no.	Description
14	00005142	Traction screw
15	00005143	Motor nut
16	00002923	Screw M4x14 DIN 912
17	00005921	Chassis
18	00005703	Bearing
19	00005144	Bearing housing
20	00003389	Washer ø6.2/12 DIN 988
21	00006518	Screw M3x8 DIN 914
22	00005222	Cog wheel
23	00007352	Coggged belt

2.3 Tube head

2.3.1 Primary slots TR

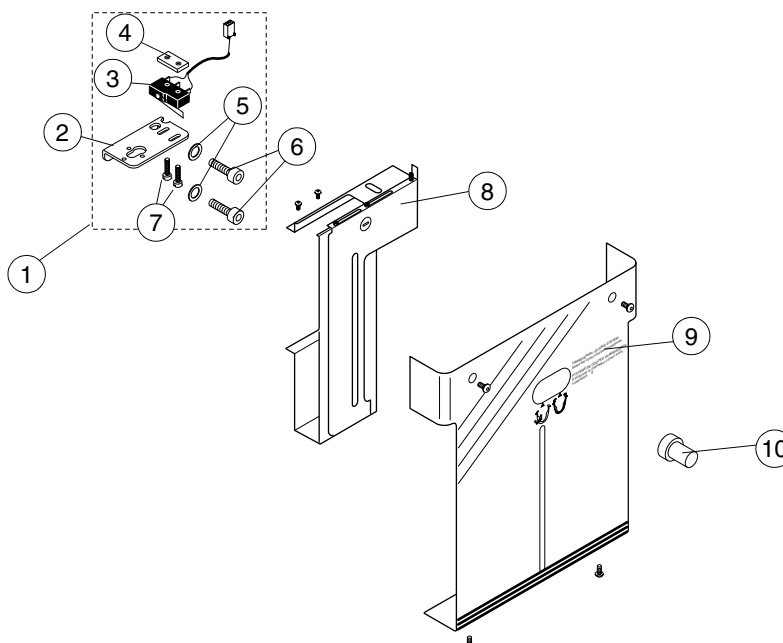


Ref	Part no.	Description
1	00652185	Primary slot STD TR

Ref	Part no.	Description
2	00652186	Primary slot CEPH TR

2.4 Cassette carriage

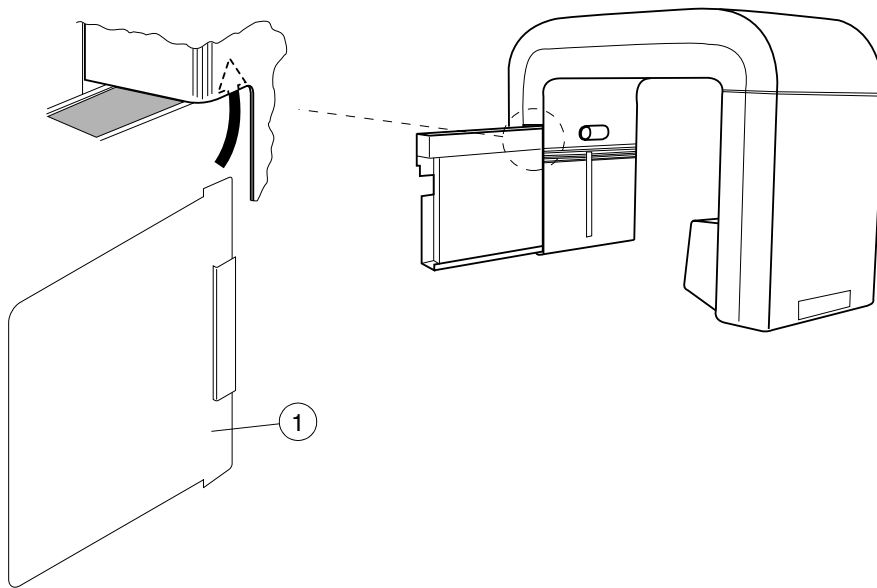
2.4.1 Secondary slots TR



Ref	Part no.	Description
1	00671074	Microswitch assembly
2	00007241	Holder plate
3	00637121	Transversal-switch cable
4	00004751	Microswitch mounting plate
5	00002999	Washer ø4.3/9 DIN 125

Ref	Part no.	Description
6	00004849	Screw M4x10 DIN 912
7	00002751	Screw M2.3x12 DIN 84
8	00665520	Inner secondary slot TR
9	00665530	Outer secondary slot TR
10	00665529	Magnetic slider

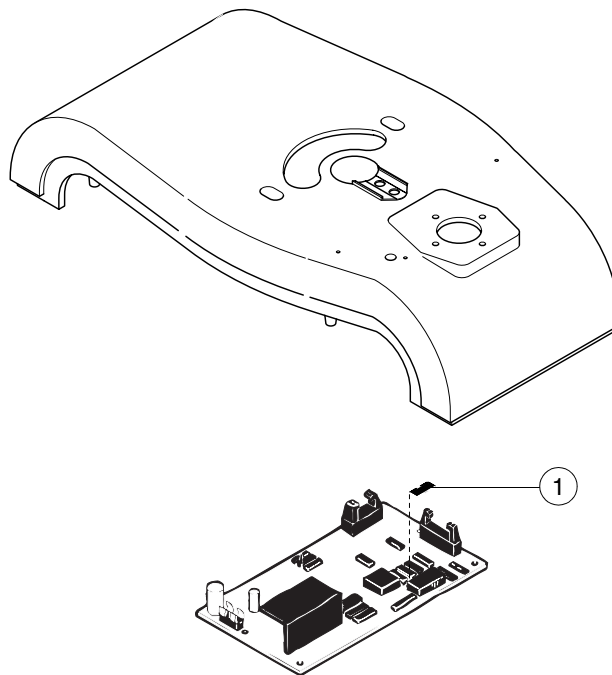
2.4.2 Secondary radiation protection plate



Ref	Part no.	Description
1	00655068	Secondary radiation protection plate

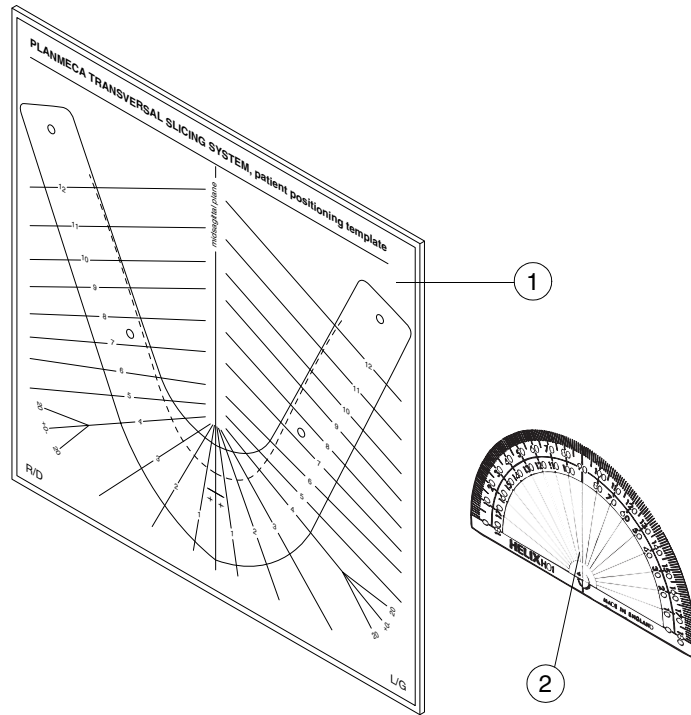
2.5 Rotating unit

2.5.1 Generator processor software



Ref	Part no.	Description
1	00471088	Software

2.6 Patient positioning system



Ref	Part no.	Description
1	00657004	Patient positioning template
2	00624006	Protractor

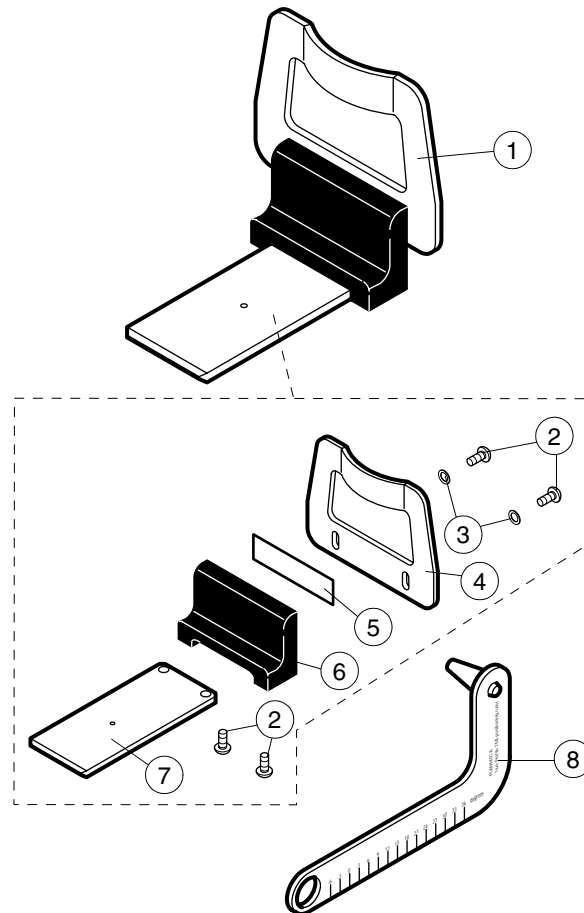
Chapter

D

TRUE PROFILE TMJ

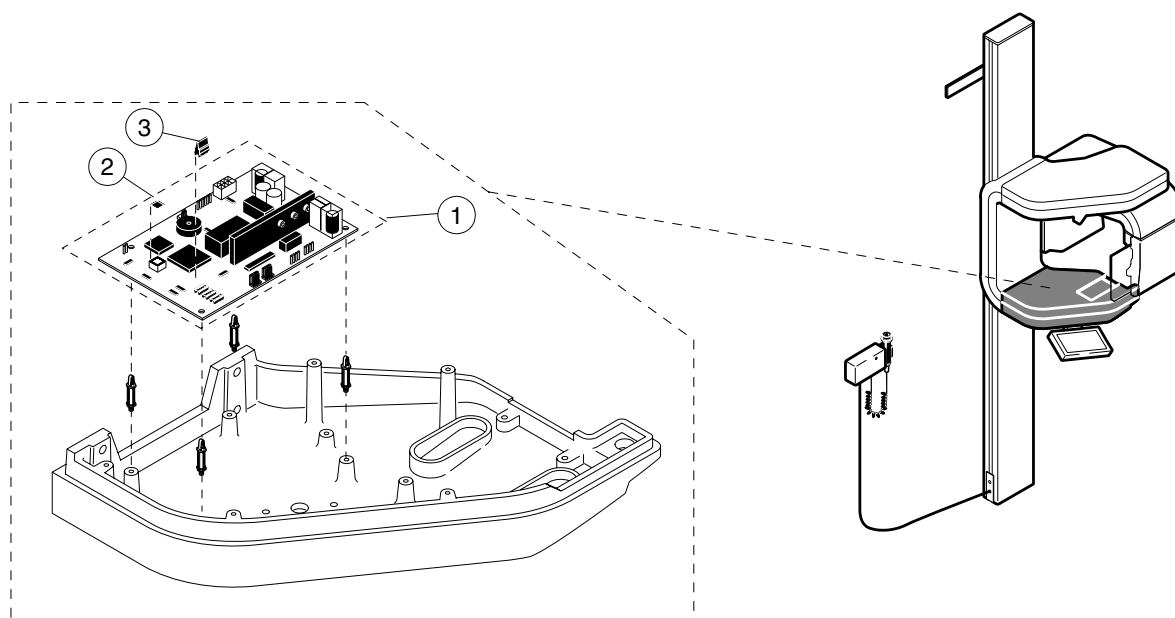
1 TRUE PROFILE TMJ PARTS

1.1 TMJ support complete



Ref	Part no.	Description
1	00665091	True profile TMJ support complete
2	00326040	Screw M4x8 ULS
3	00003326	Washer ø4.3/12 DIN 9021
4	00005238	Rest
5	00620024	Label (LBL-X-051)
6	00652130	Block
7	00005231	Slide plate
8	00665095	True profile TMJ ruler

1.2 Keyboard processor PCB



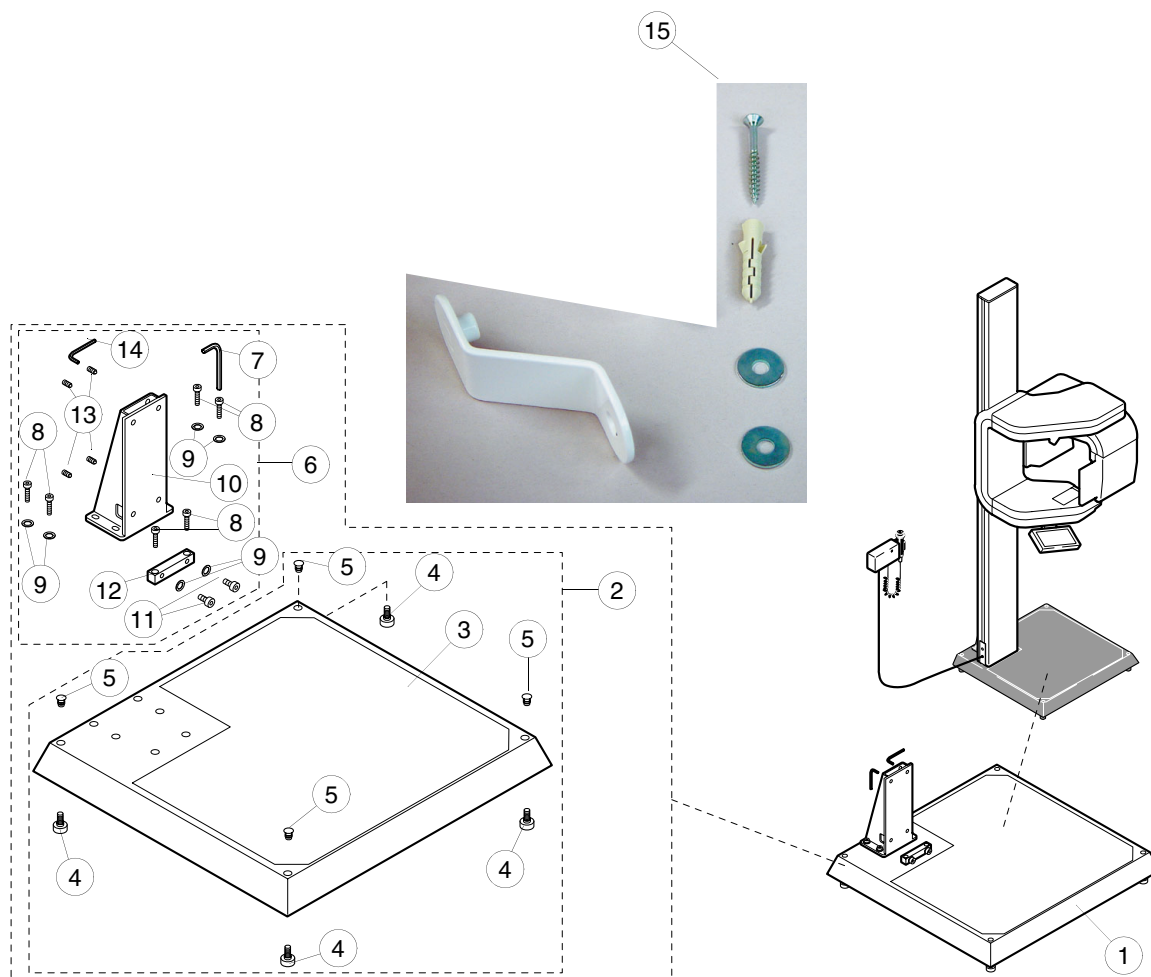
Ref	Part no.	Description
1	00665070	Keyboard processor PCB 105-10-06
2	00471087	Software
3	00637018	Software lock key

Chapter

E

OPTIONAL FEATURES

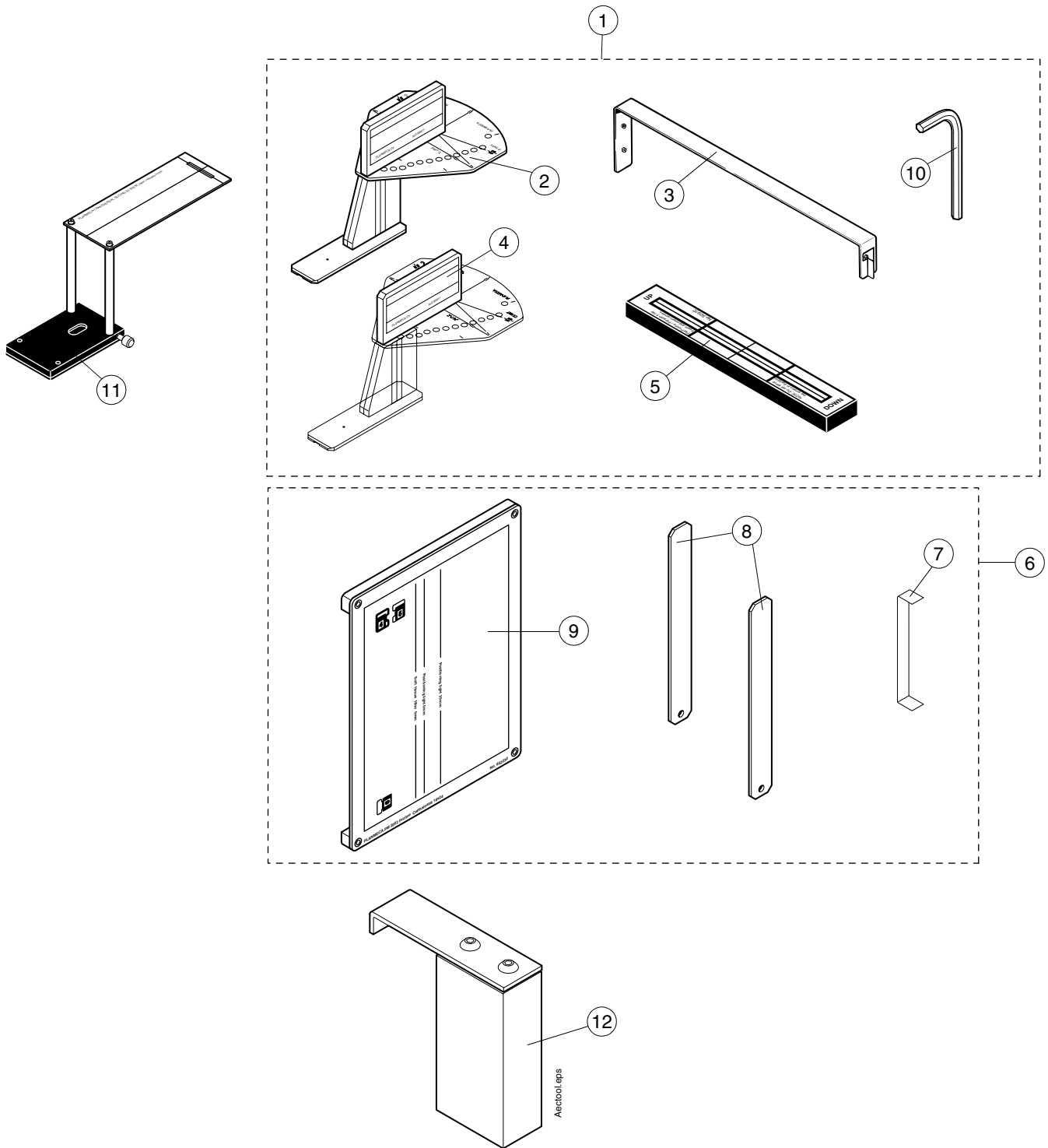
1 FREE STANDING BASE



Ref	Part no.	Description
1	00050021	Free standing base complete
2	00067105	Base plate + levelling feet
3	00671014	Base plate
4	00671013	Levelling foot
5	00004631	Cover plug
6	00671026	Support bracket assembly
7	00002254	Allen key
8	00002930	Screw M8x30 DIN 912
9	00003003	Washer ø8.4/17 DIN 125
10	00006972	Support plug
11	00003094	Screw M8x16 DIN 912
12	00007000	Column holder
13	00003141	Screw M6x6 DIN 916
14	00002252	Allen key

Ref	Part no.	Description
15	10010518	Exhibition base additional support set

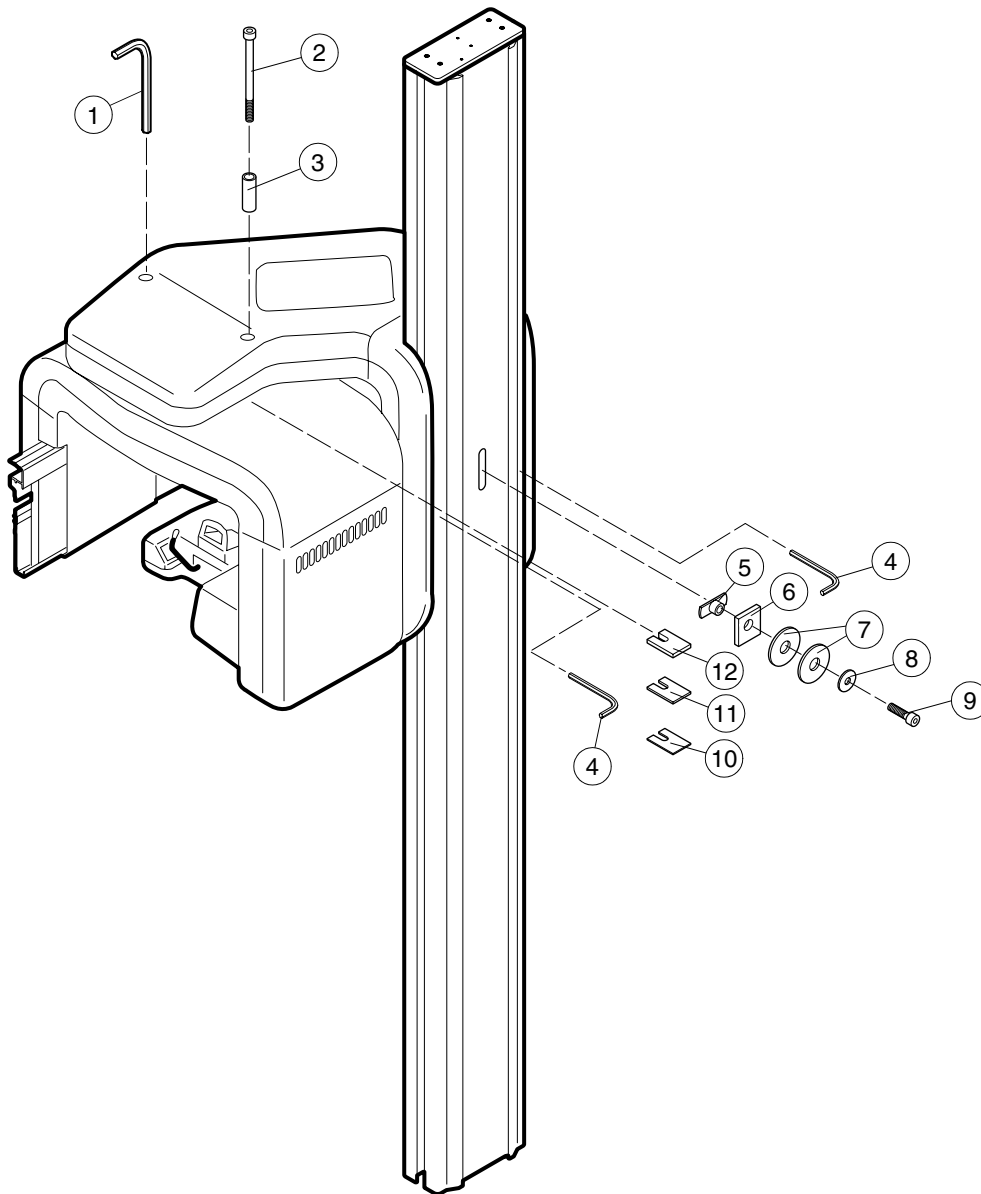
2 CALIBRATION TOOLS



Ref	Part no.	Description
1	00050970	Panoramic calibration tool set
2	00050971	Ball phantom
3	00050973	Alignment ruler
4	00050977	Frankfurt plane alignment tool
5	00050972	Beam alignment tool
6A	00671063	Ceph calibration tool set (18x24)
6B	00671064	Ceph calibration tool set (8"x10")
7	00671081	Soft tissue filter positioning tool

Ref	Part no.	Description
8	00653126	Ceph head support alignment tool
9A	00652232	Cephalometric beam alignment tool, 18x24
9B	00652233	Cephalometric beam alignment tool, 8"x10"
10	00007100	Transportation pin
11	10000463	TSS Layer Indicator
12	10002199	AEC calibration filter

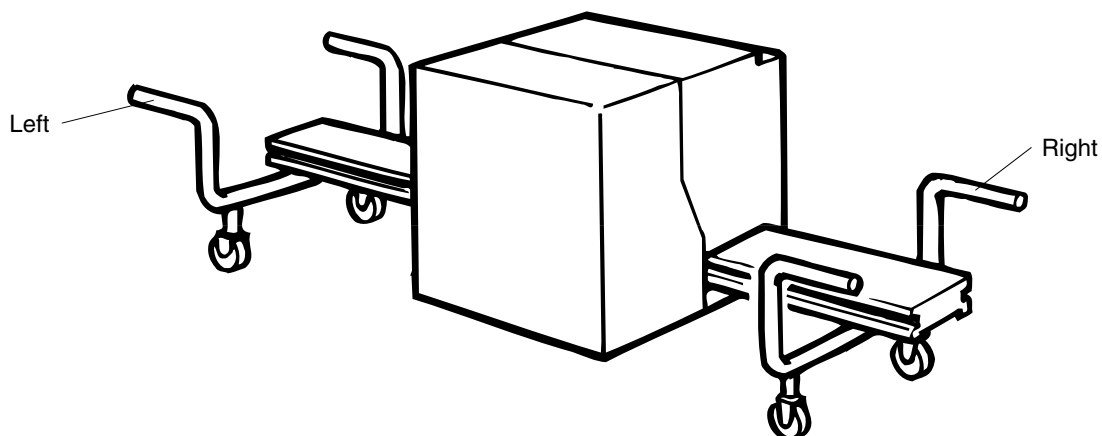
3 TRANSPORTATION ACCESSORIES



Ref	Part no.	Description
1	00007100	Transportation pin
2	00003344	Screw M8x110 Zn DIN 912
3	00652084	Sleeve
4	00007099	Transportation pin
5	00005312	Clamp screw
6	00656019	Clamp piece
7	00326227	Washer M14 DIN 9021
8	00003330	Washer ø8.4/25 DIN 9021
9	00002930	Counterweight locking screw M8x30 DIN 912
10	00653040	Packing piece
11	00653041	Packing piece
12	00653042	Packing piece

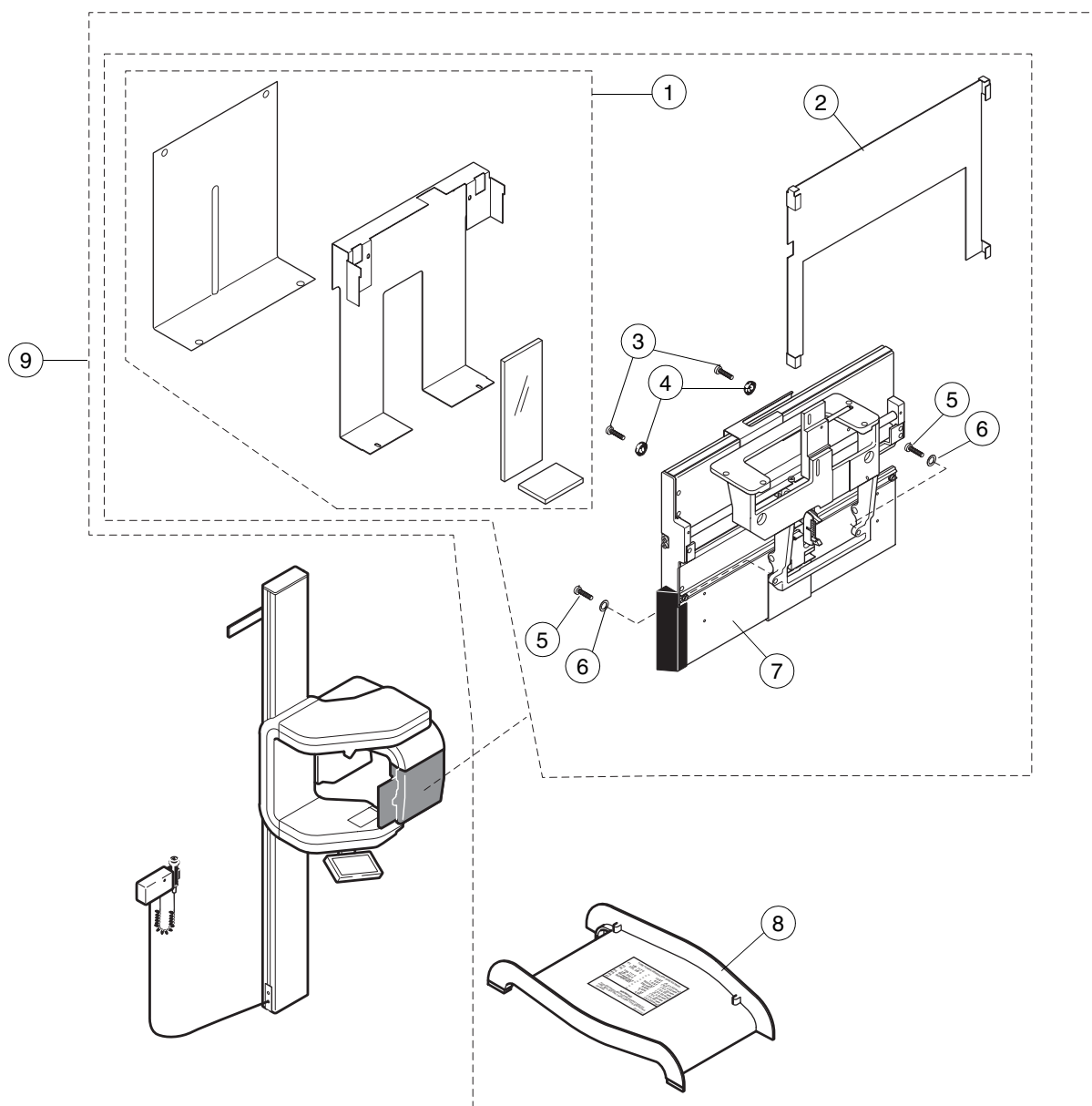
Ref	Part no.	Description
13	00671071	Transportation accessories set (includes all parts 1..12)

4 CARRYING HANDLES



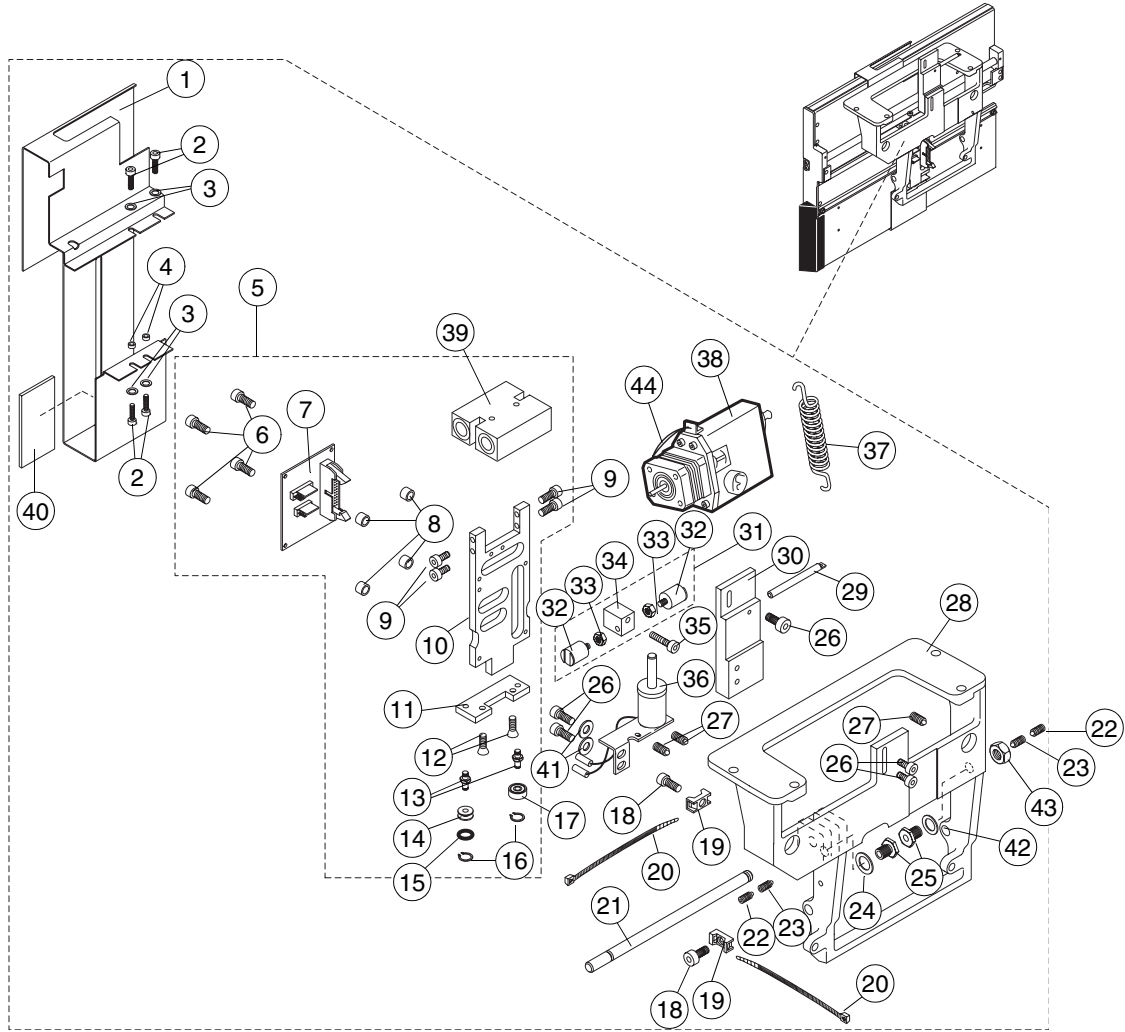
Ref	Part no.	Description
1	00050985	Carrying handles, left and right
2	00003399	Knurled- head screw M6x20 GN 421
3	00003403	Wheel
4	00007494	Carrying handle, right (without wheels)
5	00007495	Carrying handle, left (without wheels)
6	00626003	Screw M12x20 Zn DIN 933

5 PM 240x300 CASSETTE CARRIAGE



Ref	Part no.	Description
1	00665202	Cover assembly
2	00655100	Radiation block shield
3	00003108	Screw M4x10 DIN 7984
4	00006023	Washer
5	00006807	Screw M4x12 DIN 7984
6	00002999	Washer ø4.3/9 DIN 125
7	00665201	Cassette carriage complete 240x300
8	00665162	Cover
9	00600120	PM 240x300 cassette carriage retrofit kit

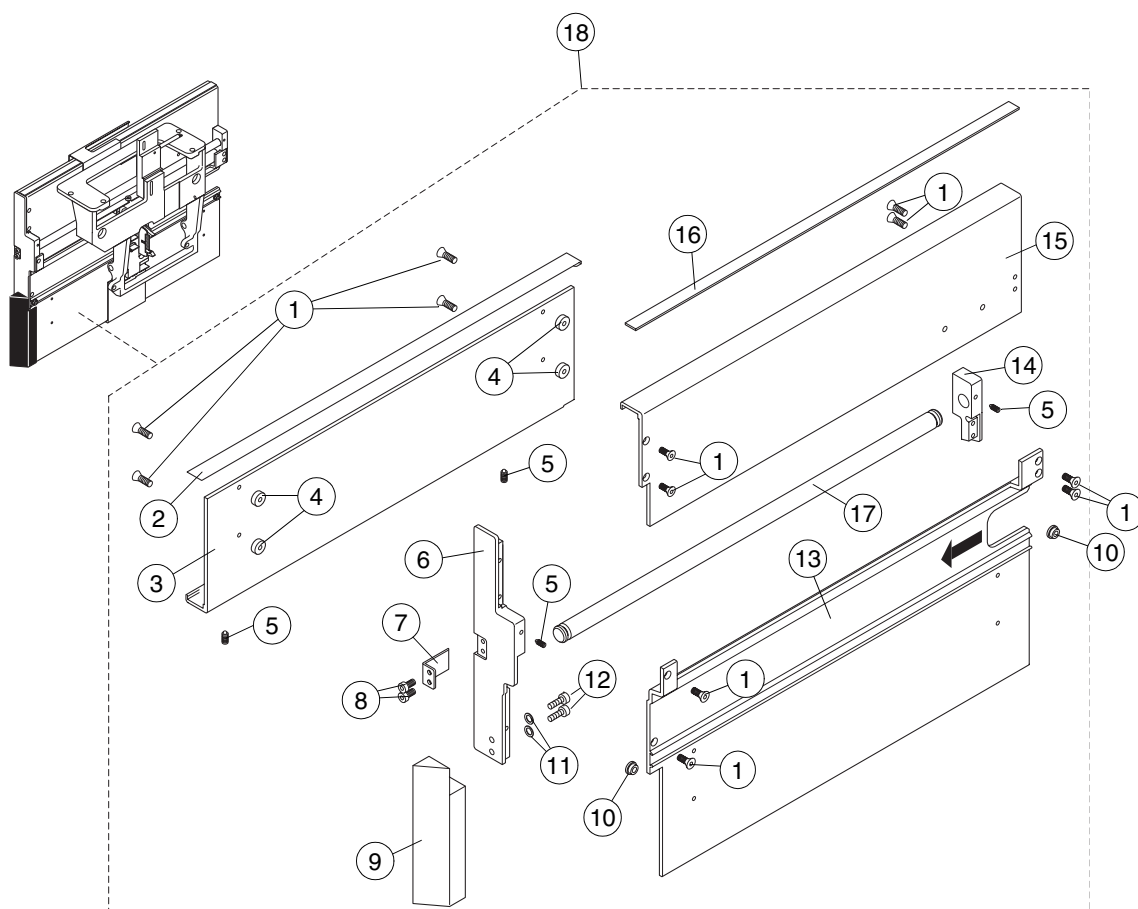
5.1 Cassette driving mechanism



Ref	Part no.	Description
1	00653130	Inner secondary slot
2	00326018	Screw M3x6 DIN 912
3	00002998	Washer ø3 DIN 125
4	00005140	Spacer
5	00665203	Slide frame assembly
6	00326020	Screw M3x10 ISO 7380
7	00050715	Cassette limits PCB 105-10-04
8	00002221	Spacer
9	00006335	Screw M4x16 DIN 7984
10	00005263	Slide frame
11	00005265	Plate
12	00003660	Screw M4x8 DIN 7991
13	00005267	Pin
14	00007201	Roller
15	00007171	O-ring 7x3
16	00006005	Circlip ø4 DIN 471
17	00005702	Bearing
18	00326015	Screw M4x6 DIN 7984
19	00007016	Base
20	00001490	Cable tie
21	00005269	Axle
22	00005069	Screw M5x5 DIN 916
23	00003132	Screw M5x8 DIN 915

Ref	Part no.	Description
24	00003003	Washer ø8.4/17 DIN 125
25	00007371	Positioning screw holder
26	00003108	Screw M4x10 DIN 7984
27	00003143	Screw M4x6 DIN 916
28	10006972	Cassette holder frame
29	00622362	Spring rod
30	00652359	Motor block
31	00665060	Magn. attachment piece assembly
32	00007353	Positioning magnet C12-00
33	00002400	Nut M4 DIN 934
34	00007354	Block
35	00626001	Screw M4x25 DIN 7984
36	00665204	Cassette solenoid assembly
37	00005288	Spring
38	00665050	Cassette motor
39	10008895	Bearing block assembly
40	00655059	Sheet lead
41	00002999	Washer ø4.3 DIN 125
42	00127001	Washer ø8/14x1.0 DIN 988
43	00003079	Nut M8 DIN 439
44	10000339	Step motor connection cable

5.2 Cassette holder profile



Ref	Part no.	Description
1	00326017	Screw M3x8 DIN 7991
2	00005250	Lower guide strip
3	00680003	Cassette holder, lower
4	00652361	Bushing
5	00003137	Screw M3x3 DIN 916
6	00652360	End piece
7	00653129	Holder
8	00326023	Screw M3x8 DIN 7984
9	00007002	Soft tissue piece
10	00665027	Stop magnet
11	00327021	Washer ø4.3 DIN 127
12	00006807	Screw M4x12 DIN 7984
13	00680004	Cassette holder profile
14	00652357	Guide post

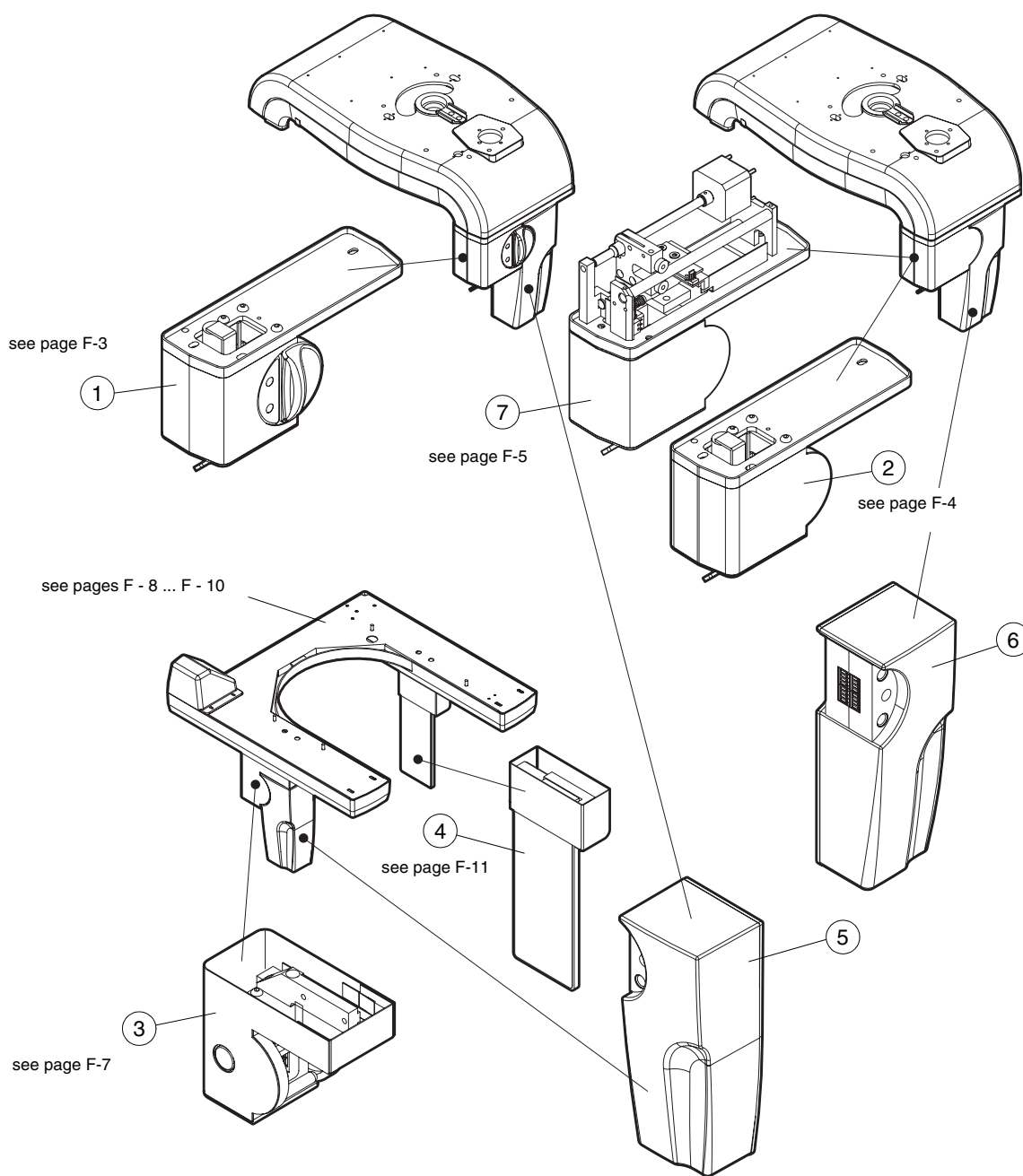
Ref	Part no.	Description
15	00680002	Cassette holder, upper
16	00005682	Friction strip
17	00005249	Slide axle ø10mm
18	10020580	Cassette holder profile complete

Chapter

F

DIMAX3 AND DIMAX DIGITAL PANORAMIC SYSTEM

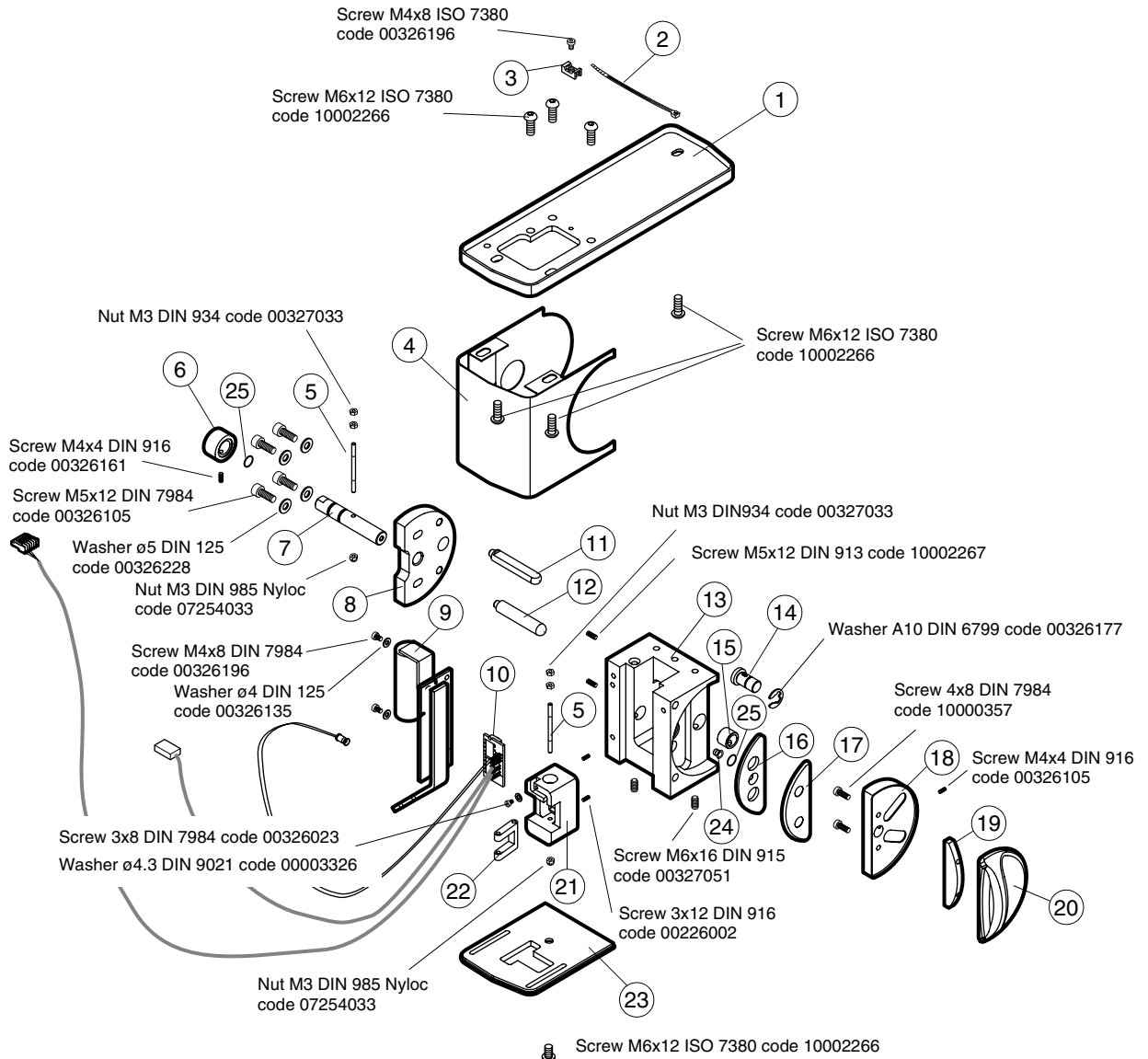
1 DIMAX3



Ref.	Part no.	Description
1	10002298	Dimax2 Proline panoramic connector
2	10002345	Dimax2 Proline fixed panoramic connector
3	10002299	Dimax2 Proline cephalostat connector
4	10002301	Dimax2 Proline cephalostat 2nd primary collimator
5	10007348	Dimax3 Proline cephalostat sensor
6	10007347	Dimax3 Proline panoramic sensor

Ref.	Part no.	Description
7	10003488	Dimax2 Proline fixed panoramic connector for pan/ceph units

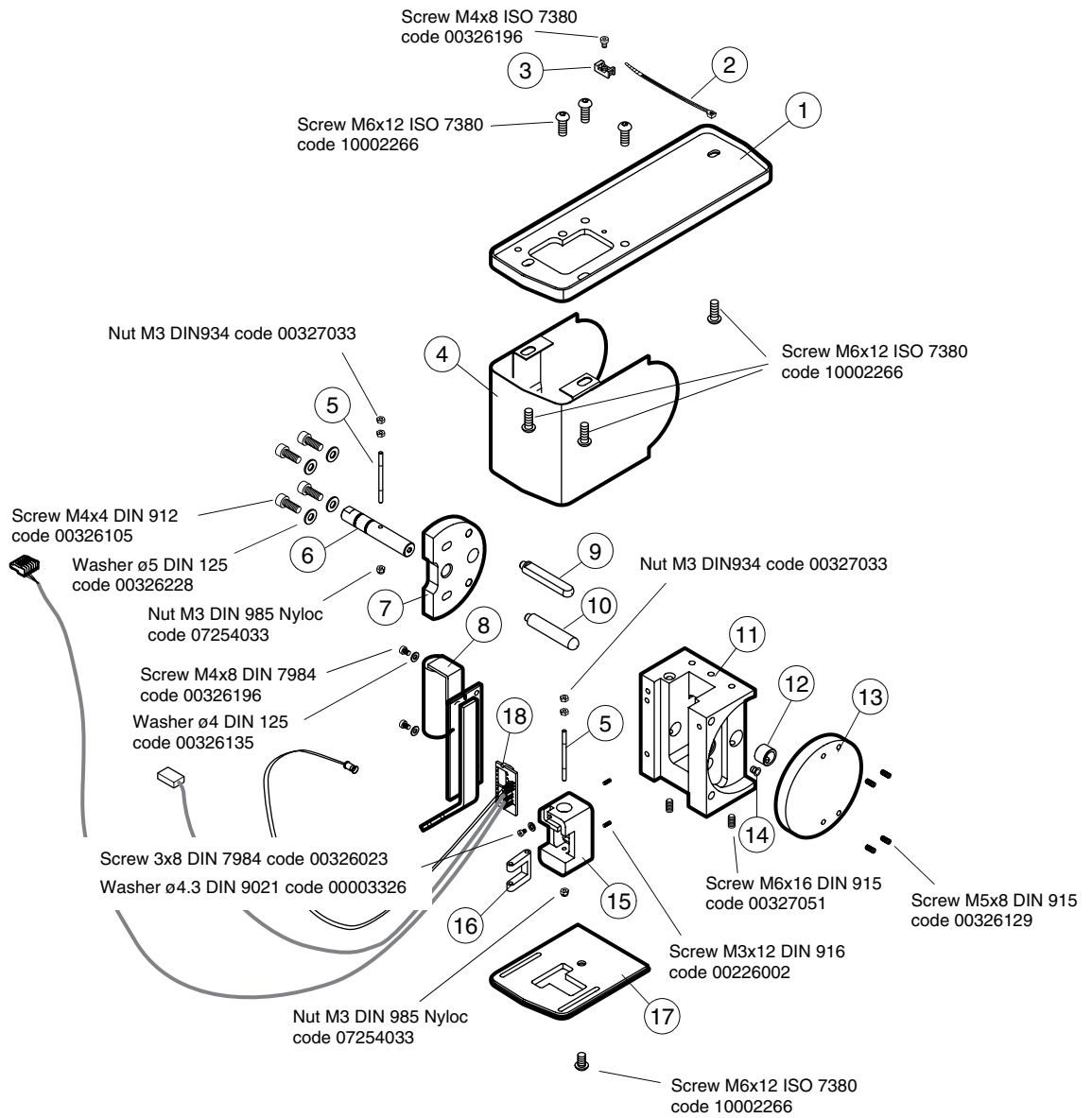
1.1 Dimax3 Proline panoramic connector



Ref.	Part no.	Description
1	10001592	Adapter of panoramic connector
2	00001490	Cable tie
3	00007016	Cable tie holder
4	10001099	Side cover of panoramic connector
5	10001593	Needle axle
6	10001596	Locking knob
7	10001595	Button axle
8	10001587	Bar disc of panoramic connector
9	10002315	Dimax2 Proline frankfort laser
10	10001758	Dimax2 Data cable
11	10001608	Chamfered bar
12	10001585	Bar
13	10001583	Connector frame
14	10001599	Handle axle
15	10001598	Bearing of handle axle
16	10001597	Off-button
17	10001624	Lable LBL-X-106
18	10001600	Handle frame of panoramic connector
19	10001602	Support of handle rubber

Ref.	Part no.	Description
20	10001603	Handle rubber
21	10001584	Connector plastic
22	10001594	Lever
23	10001589	Bottom cover plate of panoramic connector
24	00006543	Led sleeve HLMP0103
25	00006662	O-ring 10.82x1.78

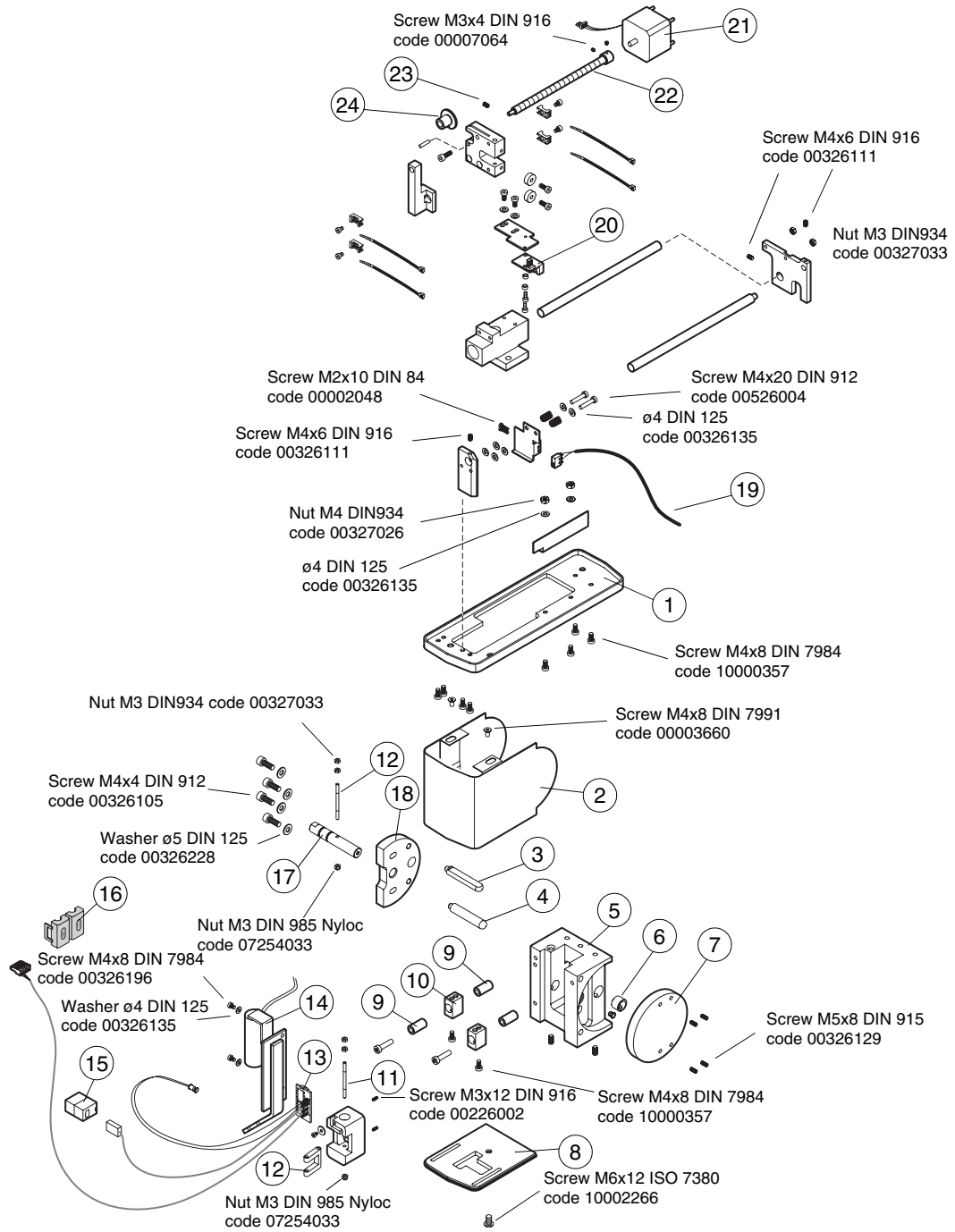
1.2 Dimax3 Proline fixed panoramic connector



Ref.	Part no.	Description
1	10001592	Adapter of panoramic connector
2	00001490	Cable tie
3	00007016	Cable tie holder
4	10001607	Side cover of panoramic connector
5	10001593	Needle axle
6	10001595	Button axle
7	10001587	Bar disc of panoramic connector
8	10002315	Dimax2 Proline frankfort laser
9	10001608	Chamfered bar
10	10001585	Bar
11	10001583	Connector frame
12	10001598	Bearing of handle axle
13	10002094	Locking disc of sensor
14	00006543	Led sleeve HLMP0103

Ref.	Part no.	Description
15	10001584	Connector plastic
16	10001594	Lever
17	10001589	Bottom cover plate of panoramic connector
18	10001758	Dimax2 Data cable

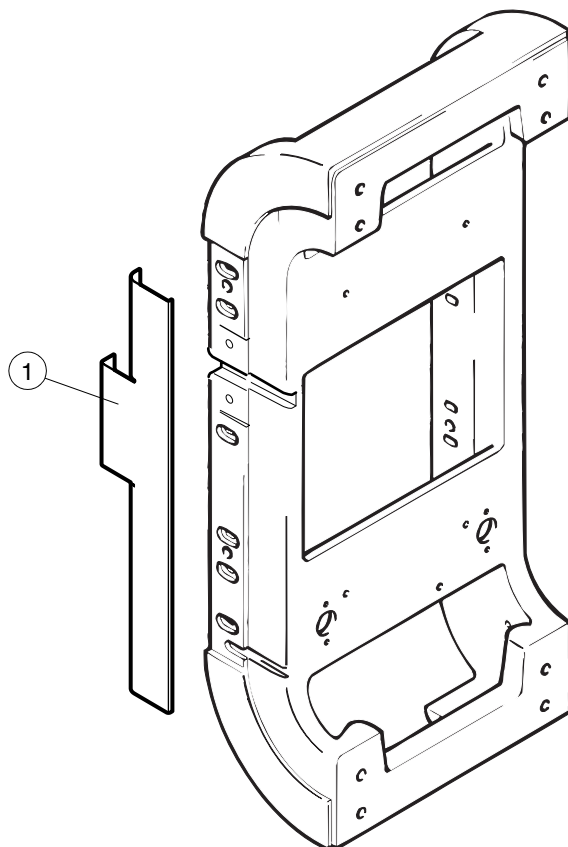
1.3 Dimax3 Proline fixed panoramic connector for pan/ceph units



Ref.	Part no.	Description
1	10002465	Adapter of panoramic connector
2	10001607	Side cover of panoramic connector
3	10001608	Chamfered bar
4	10001585	Bar
5	10001583	Connector frame
6	10001598	Bearing of handle axle
7	10002094	Locking disc of sensor
8	10001589	Bottom cover plate of pan. connector
9	10002466	Cover fastening bar
10	10002467	Cover fastener
11	10001593	Needle axle
12	10001594	Lever

Ref.	Part no.	Description
13	10001758	Dimax2 data cable
14	10002315	Dimax2 Proline frankfort laser
15	10002209	TD 1018 Adapter IN-LINE
16	10000933	EMI Snap-On Ferrite
17	10001595	Button axle
18	10001587	Bar disc of panoramic connector
19	10002589	Cephalo drive safety limit cable
20	06310929	Optical sensor
21	10004805	Motor assembly
22	00652494	C-screw
23	00654037	Spring
24	00652491	Nut

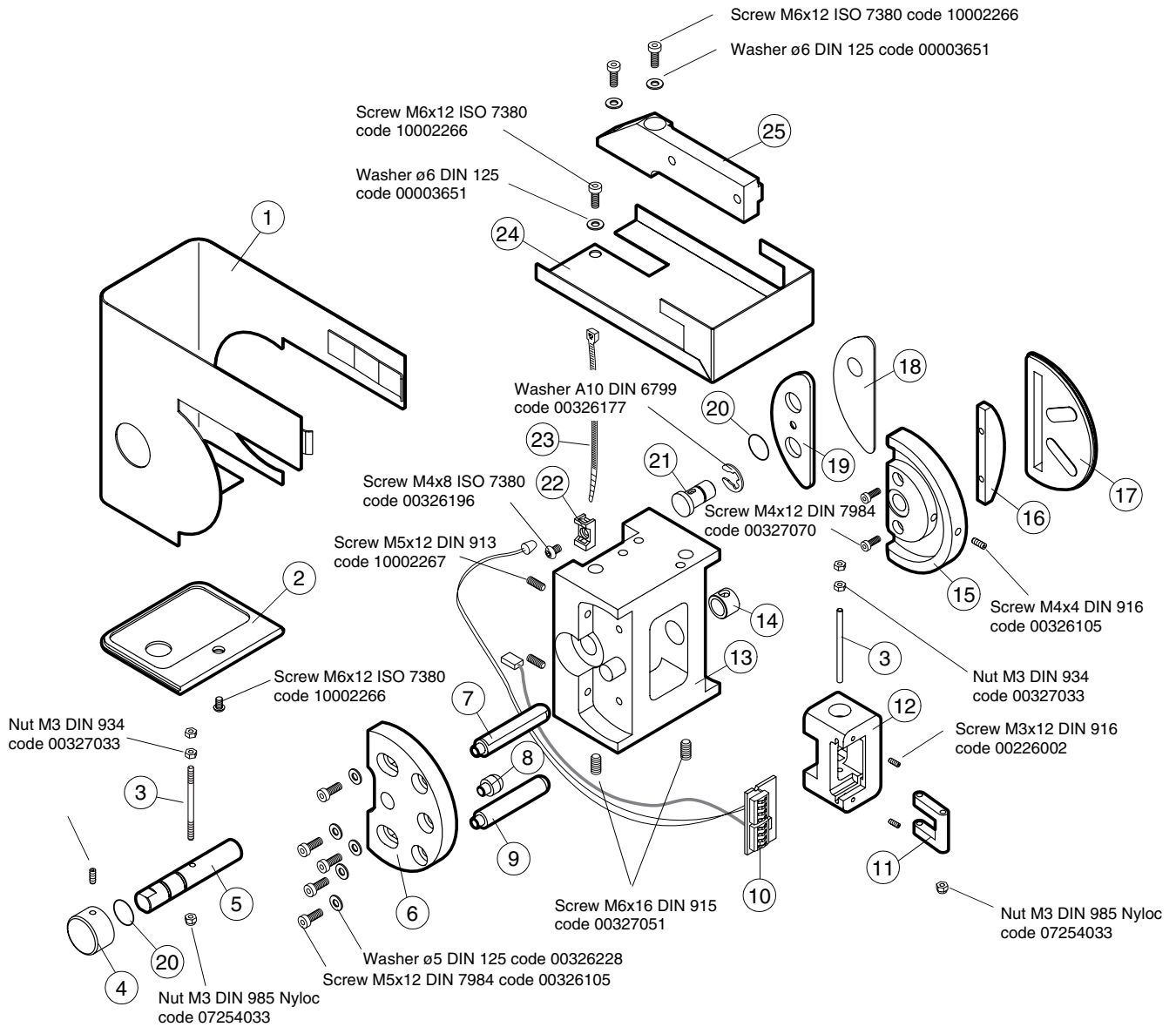
1.3.1 Z-carriage



Ref.	Part no.	Description
1	10002190	Cover strip

1.4 Panoramic unit with cephalostat

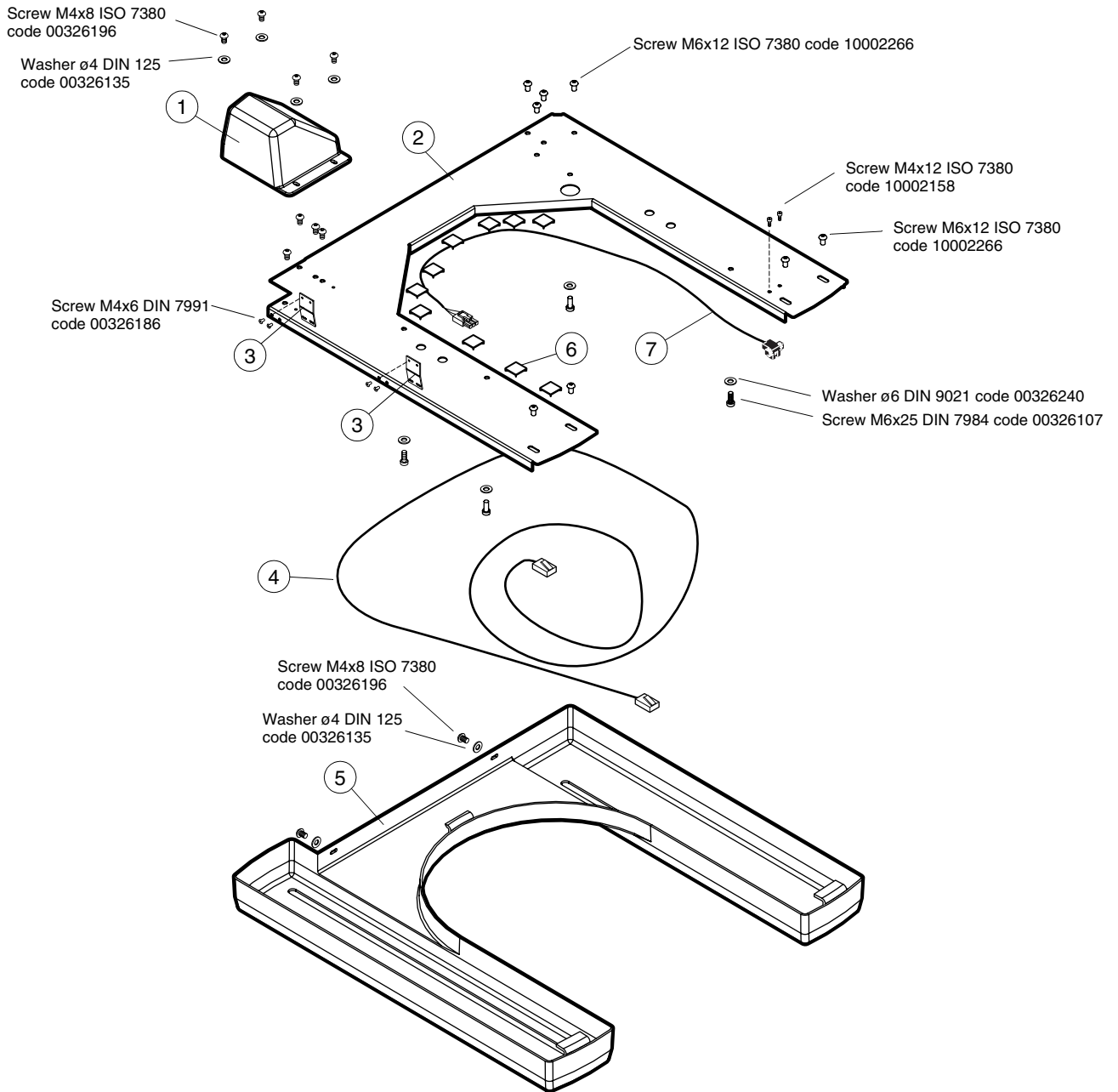
1.4.1 Dimax3 Proline cephalostat connector



Ref.	Part no.	Description
1	10001577	Side cover of cephalostat connector
2	10001590	Bottom cover plate of cephalostat connector
3	10001593	Needle axle
4	10001596	Locking knob
5	10001595	Button axle
6	10001588	Bar disc of cephalostat connector
7	10001608	Chamfered bar
8	10001586	Code bar
9	10001585	Bar
10	10001759	Dimax2 Data cable, cephalostat
11	10001594	Lever
12	10001584	Connector plastic
13	10001583	Connector frame

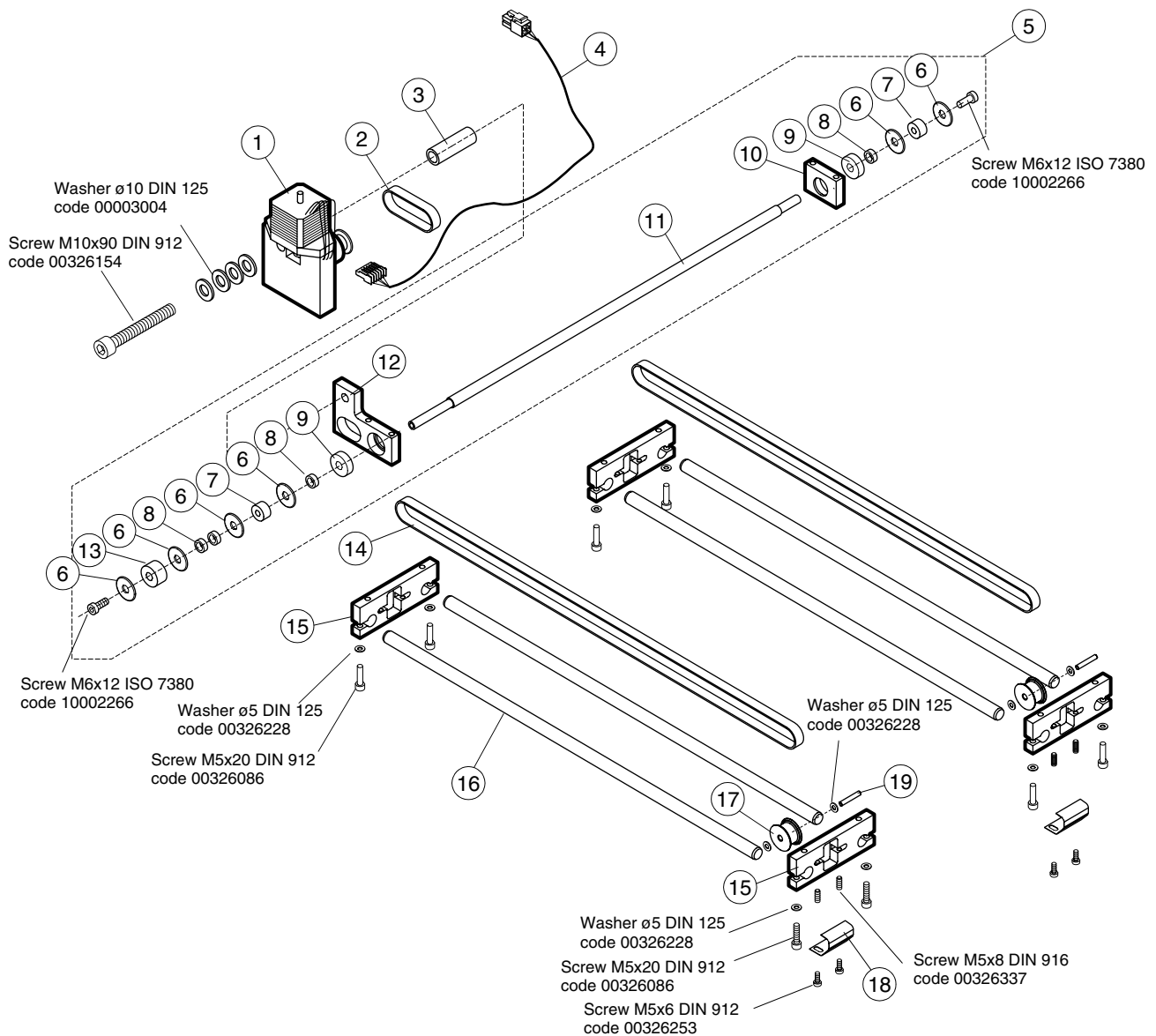
Ref.	Part no.	Description
14	10001598	Bearing of handle axle
15	10001601	Handle frame of cephalostat connector
16	10001602	Support of handle rubber
17	10001603	Handle rubber
18	10001624	Lable LBL-X-106
19	10001597	Off-button
20	00006662	O-ring 10.82x1.78
21	10001599	Handle axle
22	00007016	Cable tie holder
23	00001490	Cable tie
24	10002193	Ceph bottom cover
25	10001623	Cephalostat holder of connector

1.4.2 Cephalostat mechanism frame



Ref.	Part no.	Description
1	10001650	Motor cover
2	10001630	Sheet frame
3	10001648	Cable holder
4	10002157	Dimax2 cephalostat data cable
5	10001649	Frame cover
6	00002269	Cable anchor
7	10001761	Limit sensor cable, cephalostat

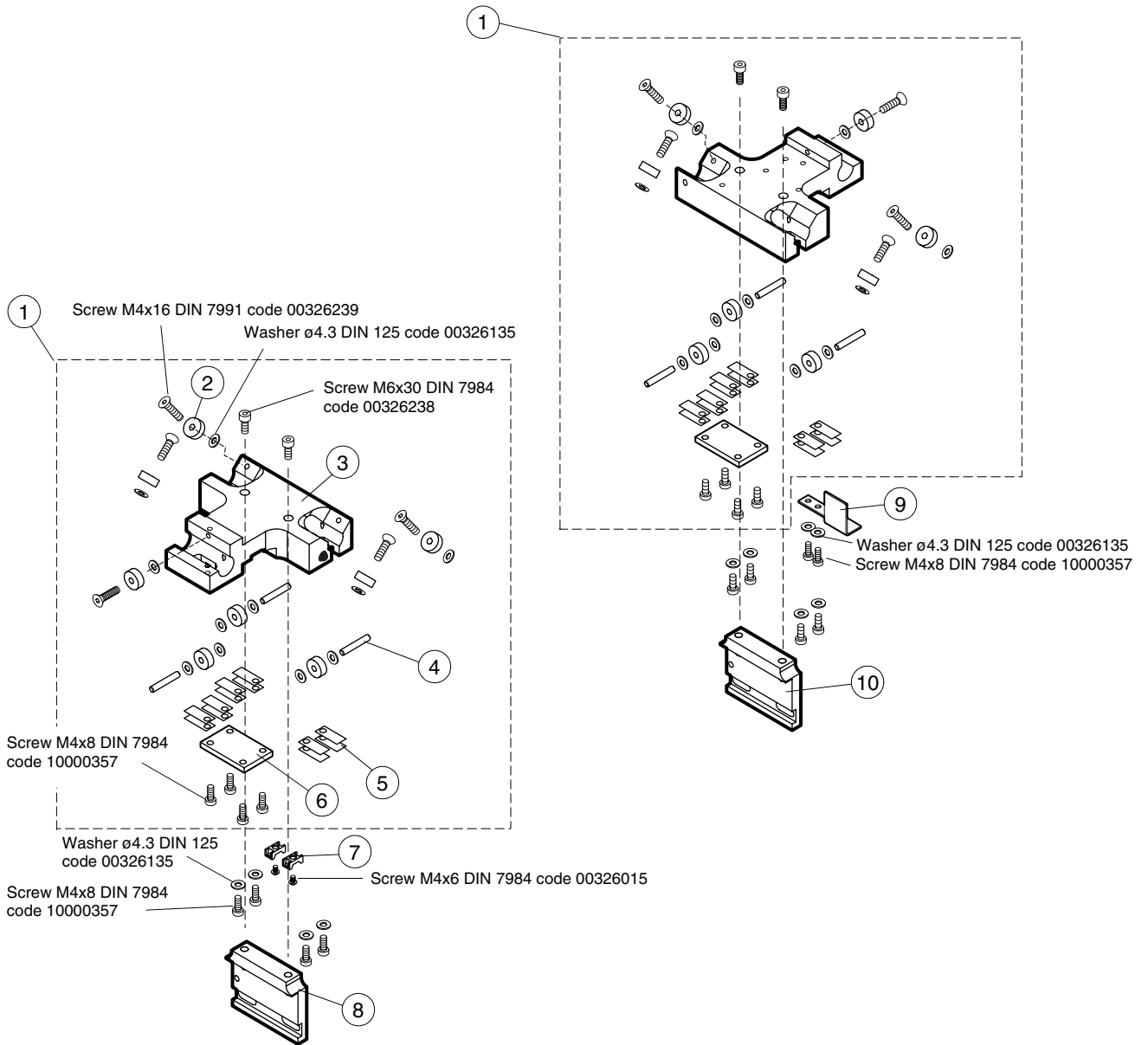
1.4.3 Cephalostat mechanism



Ref.	Part no.	Description
1	10002325	Dimax2 Proline cephalostat motor
2	10002334	Timing belt
3	10001634	Motor spacer
4	10001756	Cephalostat micromotor cable
5	10002324	Dimax2 Proline cephalostat main axle
6	10001633	Pinion washer
7	10001638	Belt pinion 20
8	10001642	Axle spacer
9	10002265	Ball bearing
10	10001635	Bearing rest
11	10001632	Main axle
12	10001636	Motor rest
13	10001639	Belt pinion 26
14	10002331	Timing belt

Ref.	Part no.	Description
15	10001625	Trail holder
16	10001626	Trail
17	10001627	Belt wheel
18	10001653	Fastening flat spring
19	10000428	Bearing needle NR5x34.8

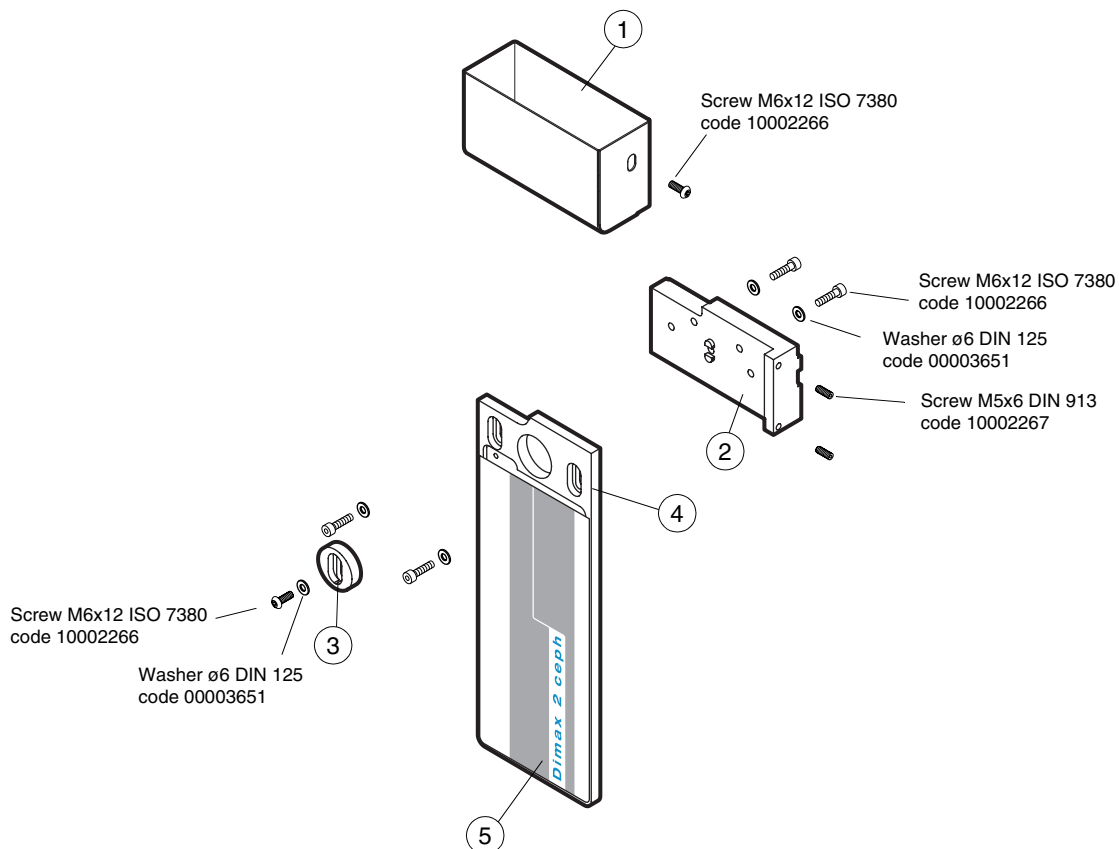
1.4.4 Dimax3 Proline cephalostat sledges



Ref.	Part no.	Description
1	10002323	Dimax2 proline cephalostat sledge
2	00005702	Ball bearing
3	10001629	Sledge
4	10001637	Bearing axle
5	10001640	Flat spring
6	10001641	Belt lock
7	00007016	Cable tie holder
8	10001645	Gap flange
9	10001656	Sensor plate

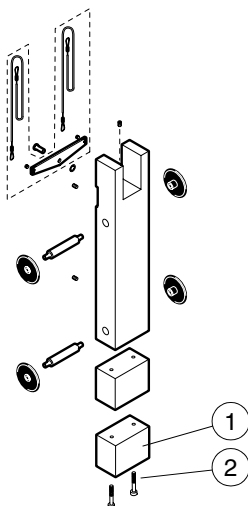
Ref.	Part no.	Description
10	10003311	Collimator flange

1.4.5 Dimax3 Proline cephalostat 2nd primary collimator



Ref.	Part no.	Description
1	10002191	Collimator cover
2	10001646	Collimator connector
3	10001651	Collimator adjustment flange
4	10003185	Collimator frame assembly
5	10001699	Label LBL-X-108

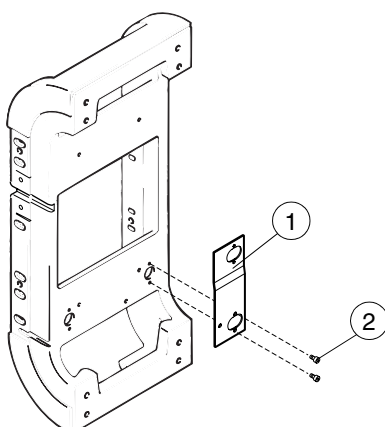
1.4.6 Column



Ref.	Part no.	Description
1	00006882	Ceph counterweight

Ref.	Part no.	Description
2	00326264	Screw M8x150 DIN 912

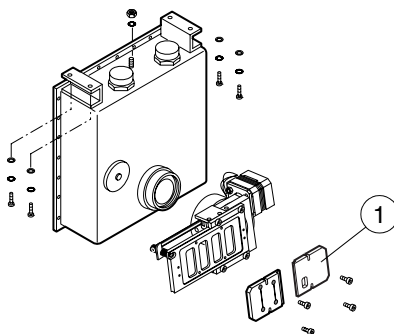
1.4.7 Z-carriage



Ref.	Part no.	Description
1	10002129	Offset plate of hall sensor

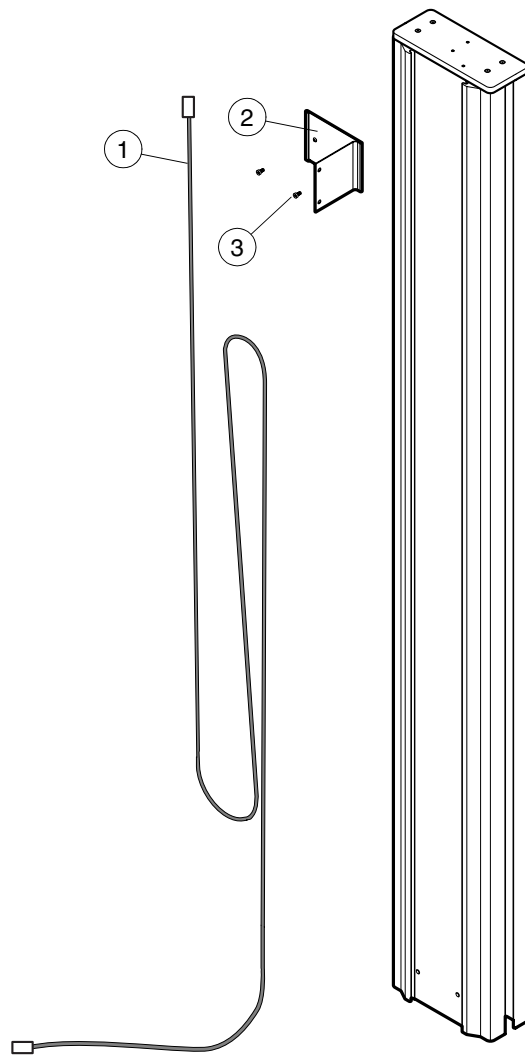
Ref.	Part no.	Description
2	00326026	Screw M4x8 DIN 7984

1.4.8 Tube head



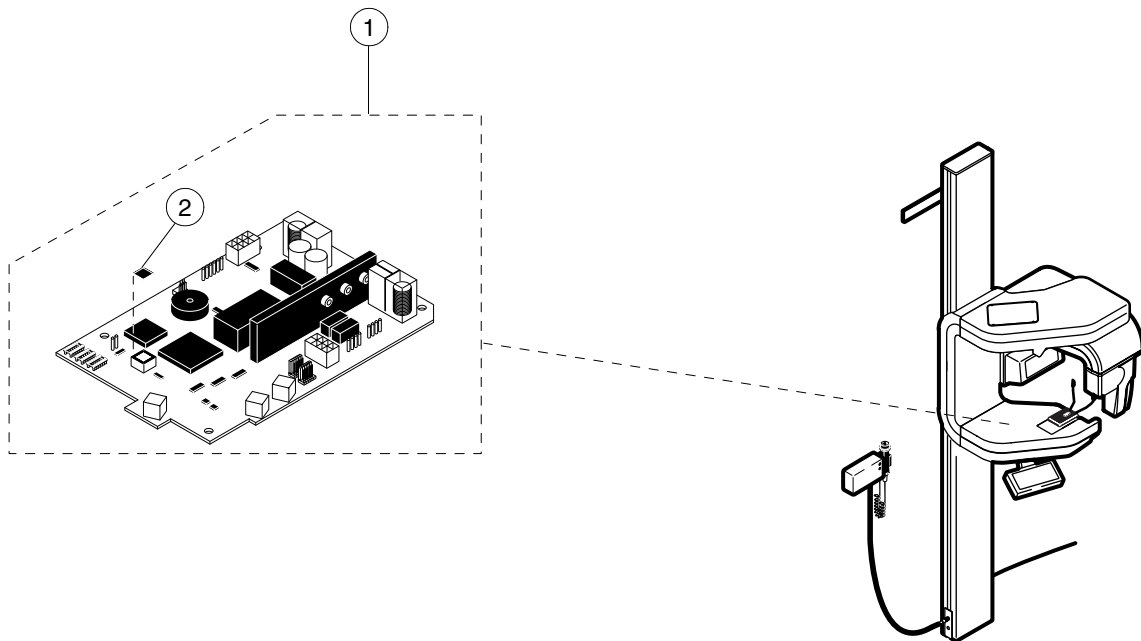
Ref.	Part no.	Description
1	10001696	First primary collimator

1.5 Dimax3 PCI interface cable



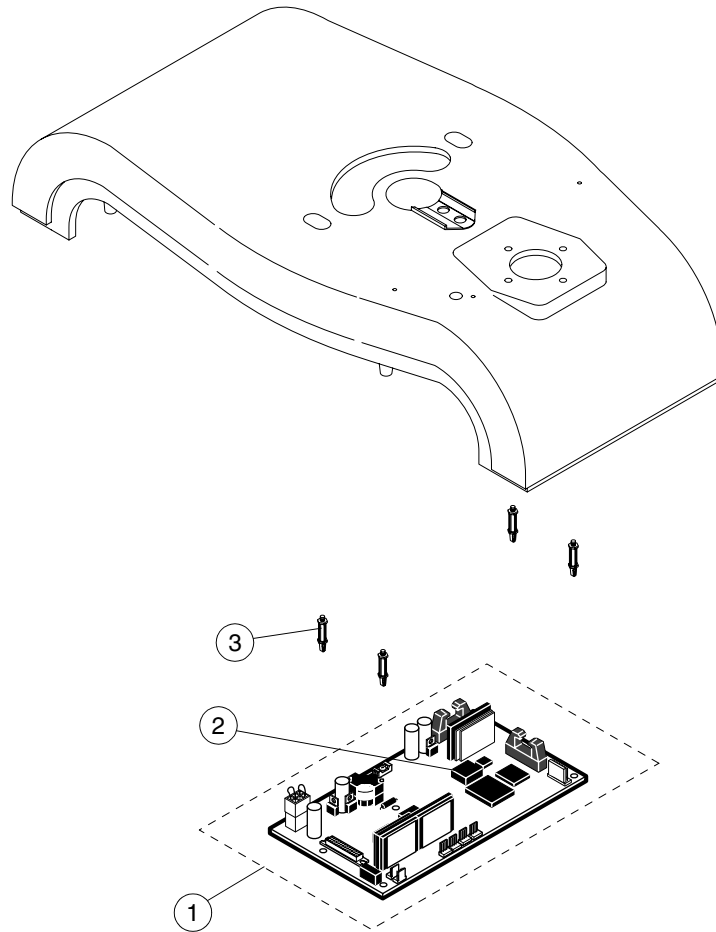
Ref.	Part no.	Description
1	10002211	Dimax2 PCI Interface cable
2	10002192	Cable attachment plate
3	00326026	Screw M4x8 DIN 7984

1.6 Keyboard processor PCB



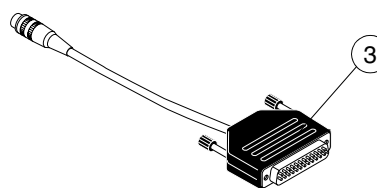
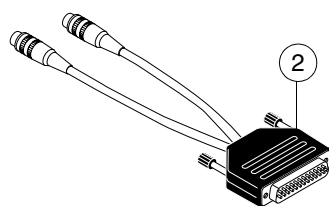
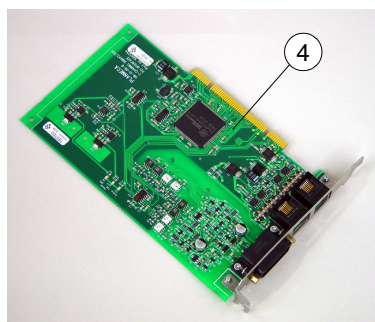
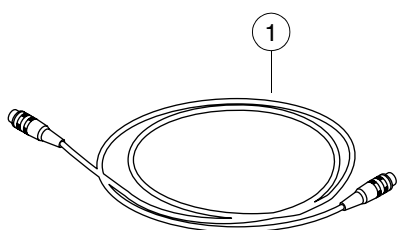
Ref.	Part no.	Description
1	10002568	Keyboard processor PCB 105-10-06
2	10004422	Software

1.7 Generator processor PCB



Ref.	Part no.	Description
1	00665180	Generator processor 105-10-03
2	10004421	Software
3	00006272	PCB holder

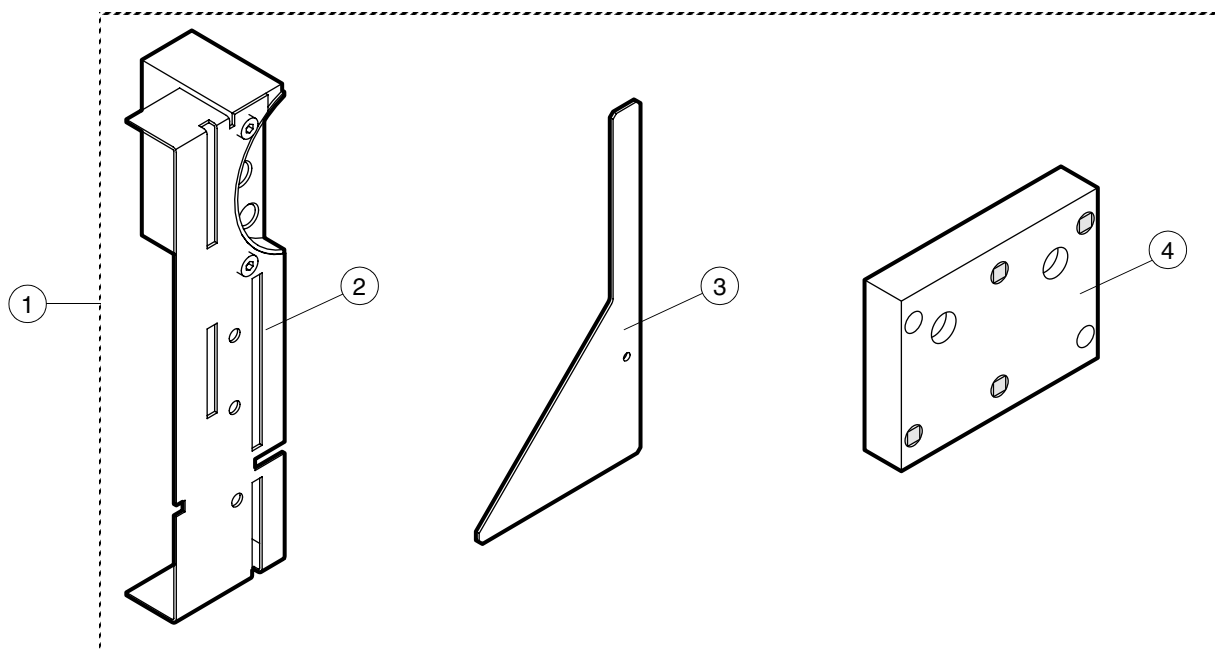
1.8 PC accessories



Ref.	Part no.	Description
1	10010208	Interconnection cable 10m
2	10010214	Planet grabber cable

Ref.	Part no.	Description
3	10010448	Planet grabber cable
4	10001254	2-Channel Dimax2/Dixi PCI Interface PCB 118-10-06

1.9 Dimax2 alignment tools

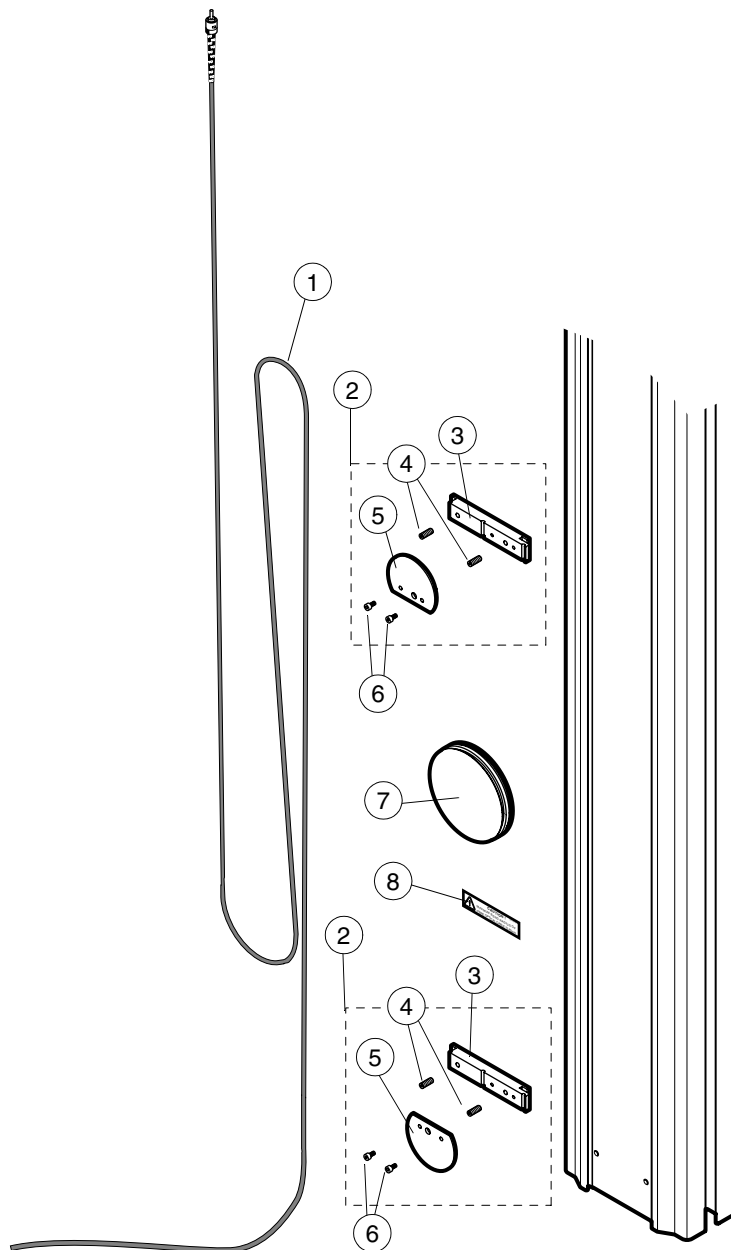


Ref.	Part no.	Description
1	10003845	Dimax2 calibration tool set
2	10002699	Dimax2 sensor alignment tool

Ref.	Part no.	Description
3	10002935	Dimax2 cephalostat calibration tool
4	00665413	Calibration block

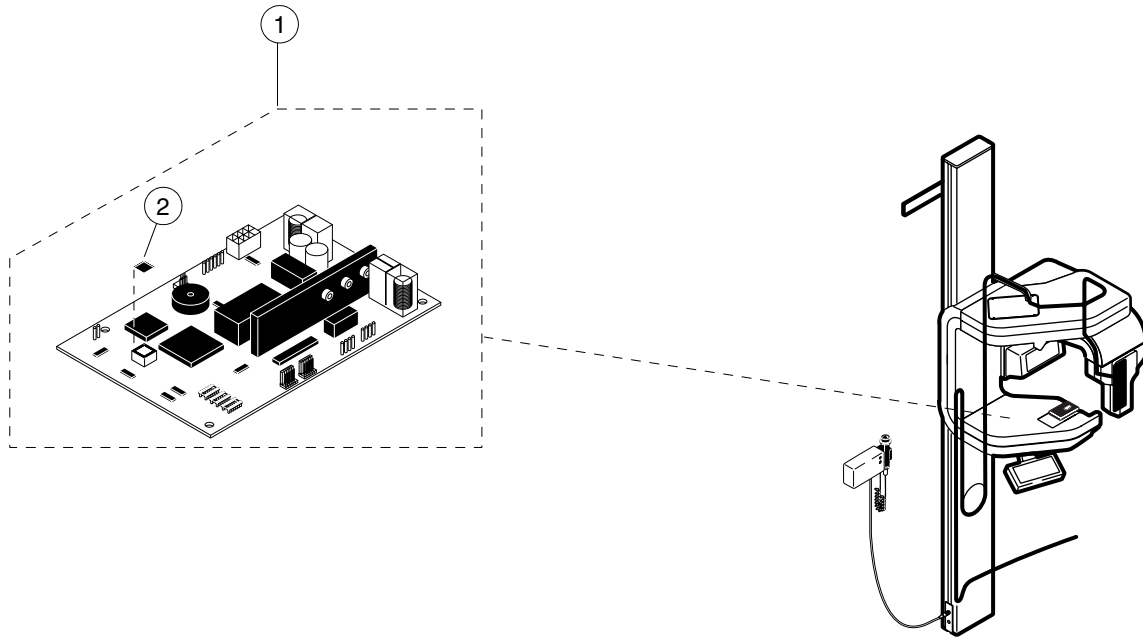
2 DIMAX

2.1 Optical fibre cable



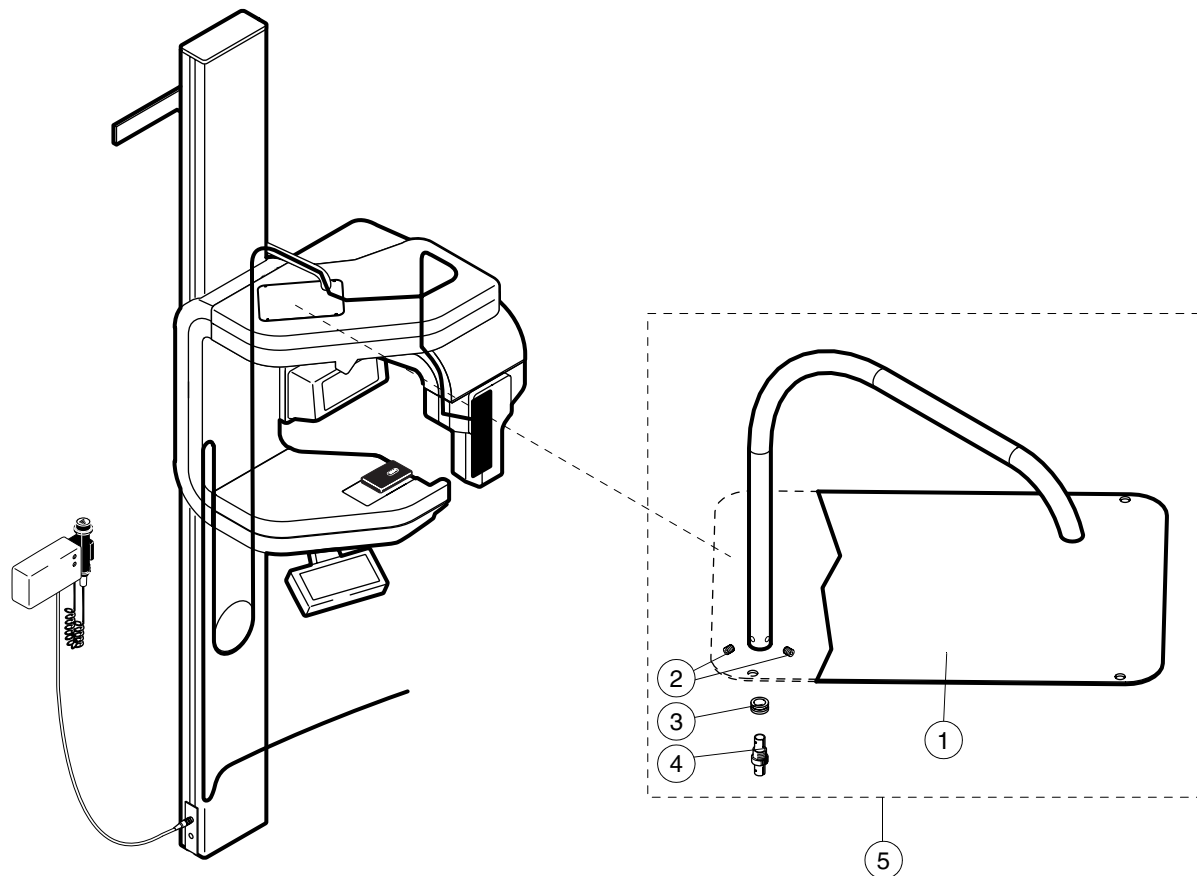
Ref.	Part no.	Description
1A	00637138	Optical fibre cable 10m
1B	00637147	Computer cable 20m
2	00665407	Cable holder guide wheel assembly
3	00655149	Wheel holder
4	00006521	Screw M6x16 DIN 916
5	00652479	Small cable guide wheel
6	00002922	Screw M4x8 DIN 912
7	00652480	Cable centre guide wheel
8	00620104	Label LBL-X-101

2.2 Keyboard processor PCB



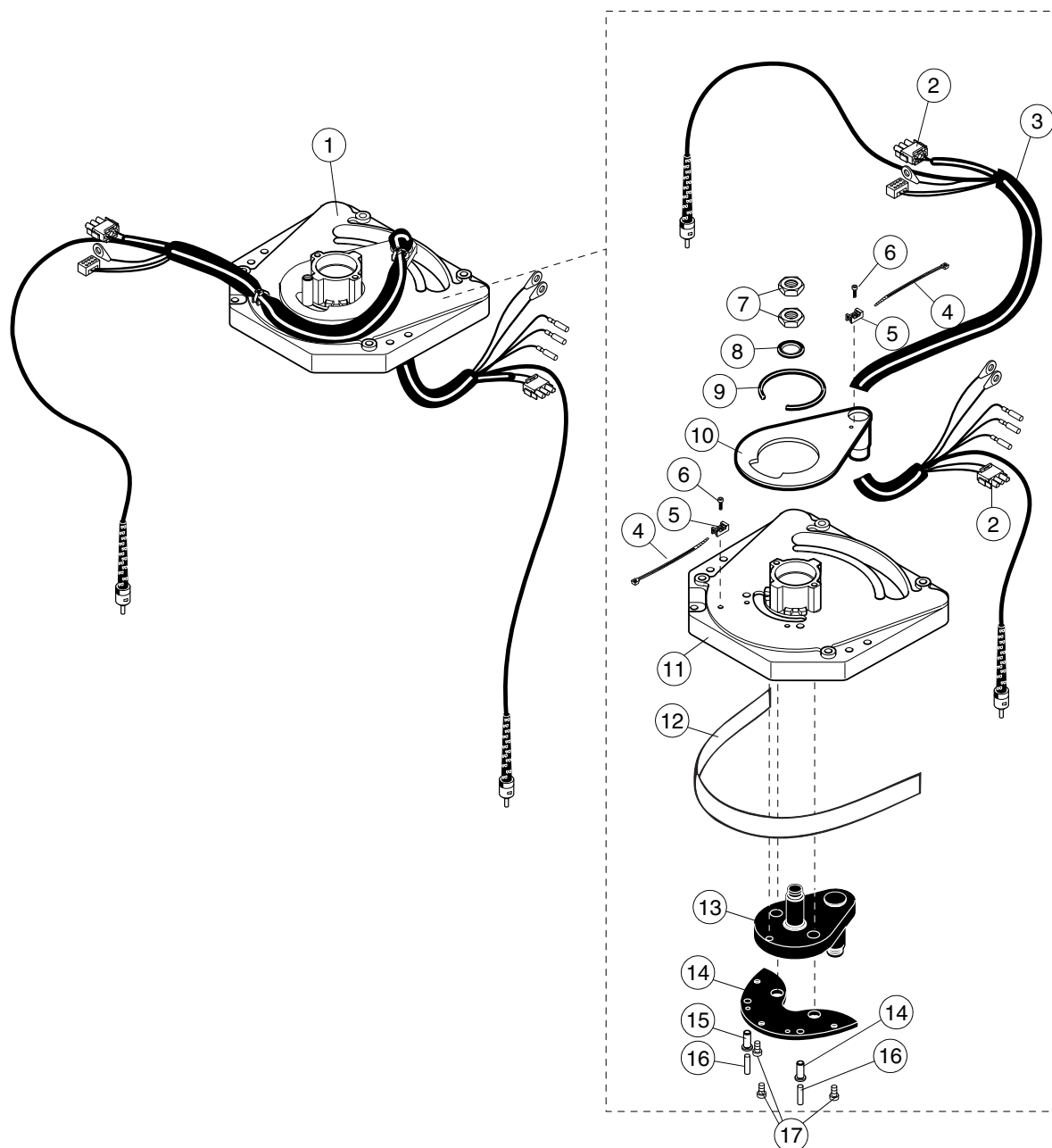
Ref.	Part no.	Description
1	00665070	Keyboard processor PCB 105-10-06
2	00471087	Software (3.46 or later)

2.3 Upper shelf cover



Ref.	Part no.	Description
1	00655150	Cover with optical fibre cable guide
2	00326088	Screw M3x3 DIN 914
3	00652481	Connector ring
4	00431378	Adapter
5	10000721	Cover assembly

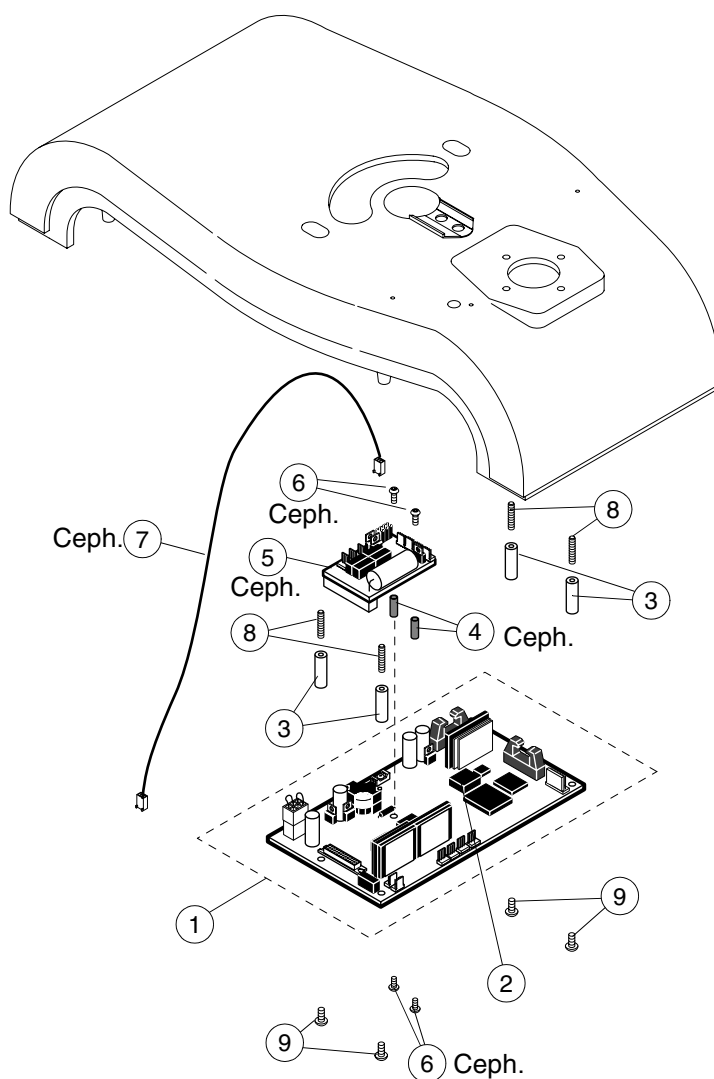
2.4 Guide block assembly



Ref.	Part no.	Description
1	00665403	Guide block assembly
2	00000460	Connector 0-350766-1
3	00637134	Connecting cable
4	00001490	Cable tie
5	00007016	Cable tie holder
6	00326015	Screw M4x6 DIN 7984
7	00005110	Nut
8	00000709	Washer ø18/25x1
9	00665076	Lock ring
10	00665074	Cable guide assembly
11	00655104	Guide block
12	00665077	Wear strip
13	00665073	Crank assembly
14	00665075	Guide profile assembly

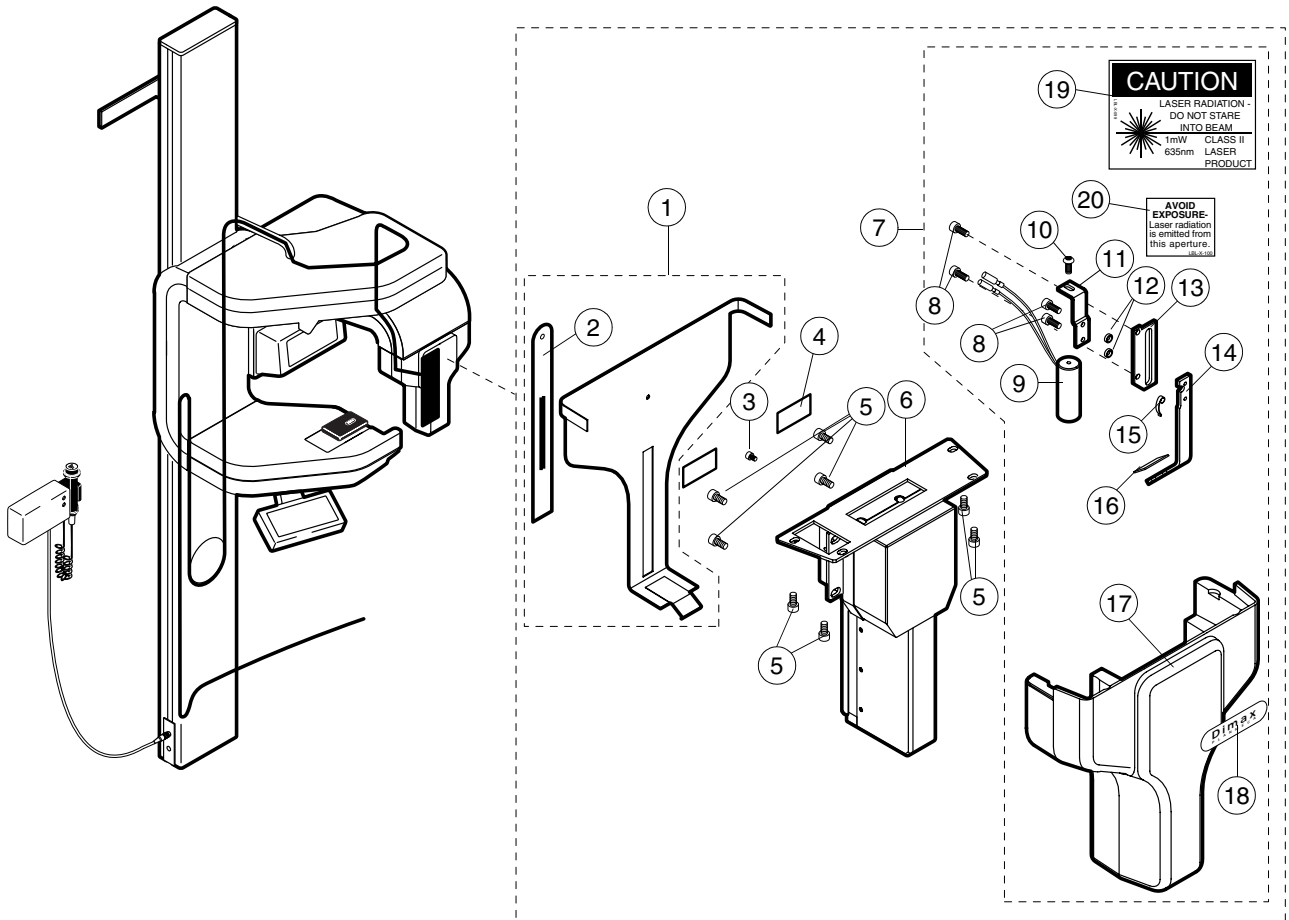
Ref.	Part no.	Description
15	00005302	Magnet holder
16	00006267	Magnet
17	00005836	Screw M6x12 DIN 7984

2.5 Generator processor PCB



Ref.	Part no.	Description
1	00665180	Generator processor 105-10-03
2	00471064	Software (3.07 or later)
3	00652424	Bush
4	00652447	Bush (ceph.)
5	06310514	Adapter PCB 105-10-14A (ceph.)
6	00326095	Screw M3x6 ISO 7380 (ceph.)
7	00637143	Ceph head opto cable (ceph.)
8	00326063	Screw M4x20 DIN 916
9	00326040	Screw M4x8 ISO 7380

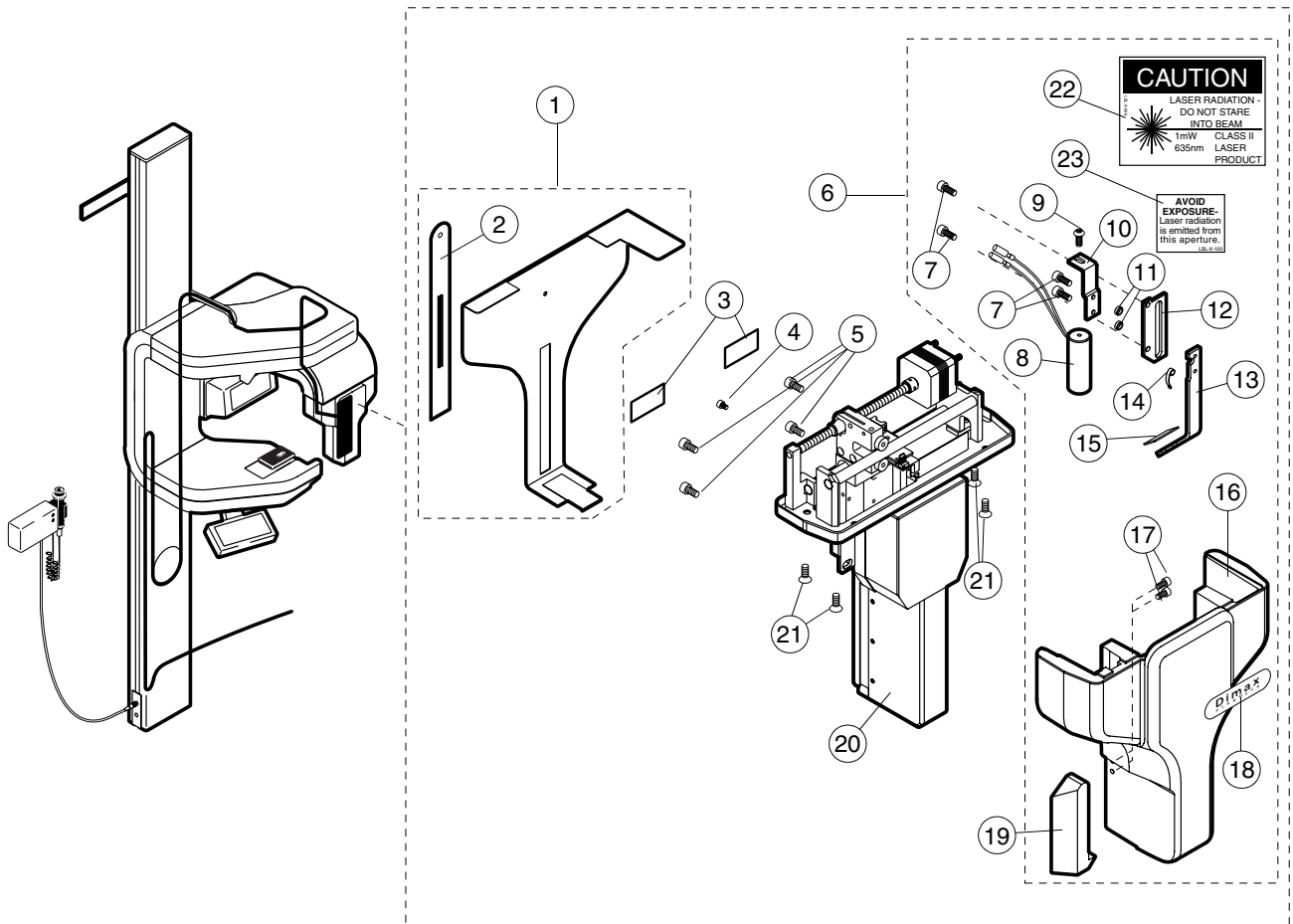
2.6 Sensor head



Ref.	Part no.	Description
1	00665402	Cover assembly
2	00620090	Label LBL-X-094
3	00006335	Screw M4x16 DIN 7984
4	00610006	Velcro tape
5	00002926	Screw M6x12 DIN 912
6	00665400	Sensor head assembly
7	00665401	Outer cover assembly
8	00004849	Screw M4x10 DIN 912
9	00665329	Laser light assembly
10	00626010	Screw 4x10 PT
11	00653190	Lamp plate
12	00652483	Spacing bush
13	00652476	Friction plate
14	00655148	Mirror bracket

Ref.	Part no.	Description
15	00654036	Leaf spring
16	00653194	Mirror
17	00655145	Sensor head cover
18	00620101	Label LBL-X-097
19	00620102	Laser caution label, USA, LBL-X-099
20	00620103	Laser warning label, USA, LBL-X-100

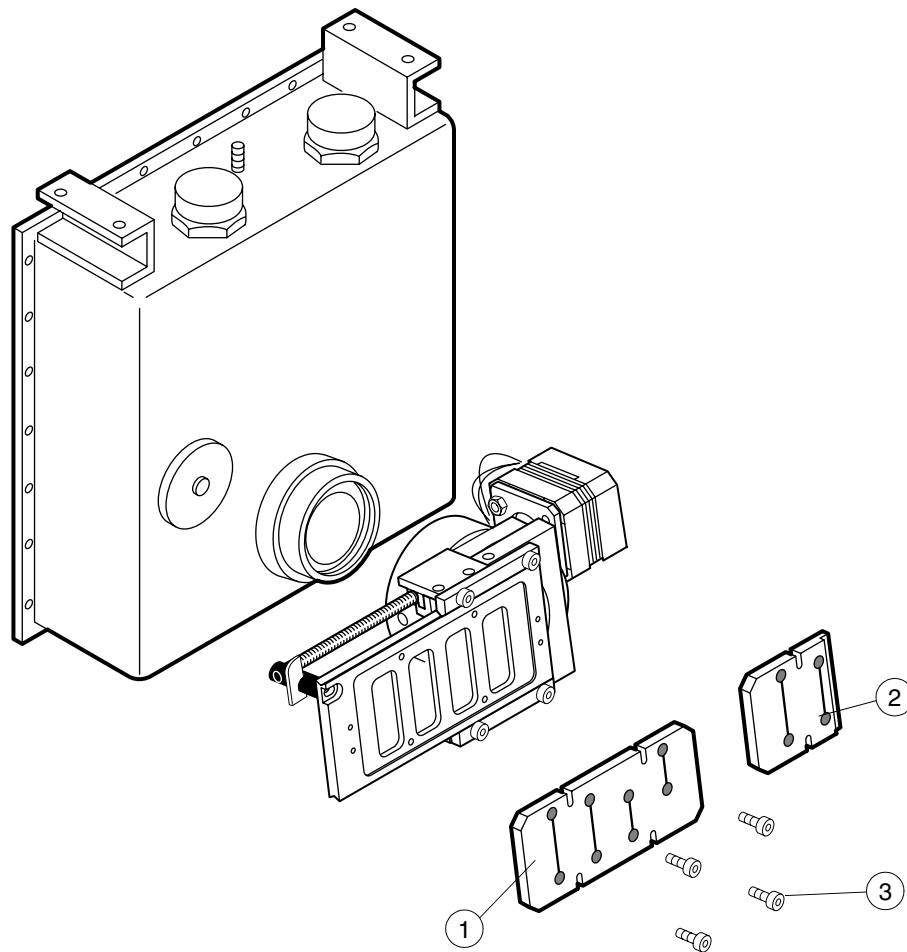
2.7 Ceph model sensor head



Ref.	Part no.	Description
1	00665410	Ceph model cover assembly
2	00620090	Label LBL-X-094
3	00610006	Velcro tape
4	00006335	Screw 4x16 DIN 7984
5	00002926	Screw M6x12 DIN 912
6	00665409	Outer cover assembly
7	00004849	Screw M4x10 DIN 912
8	00665329	Laser light assembly
9	00626010	Screw 4x10 PT
10	00653190	Lamp plate
11	00652483	Spacing bush
12	00652476	Friction plate
13	00655148	Mirror bracket
14	00654036	Leaf spring

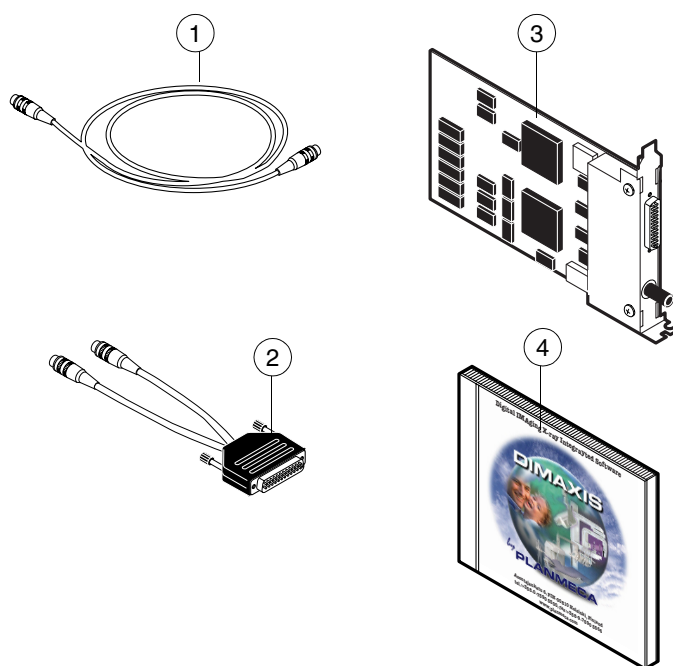
Ref.	Part no.	Description
15	00653194	Mirror
16	00655154	Sensor head cover
17	00004849	Screw M4x10 DIN 912
18	00620101	Label LBL-X-097
19	00652486	Soft tissue filter
20	00665404	Dimax ceph sensor head assembly
21	00003322	Screw M6x12 DIN 7991
22	00620102	Laser caution label, USA (LBL-X-099)
23	00620103	Laser warning label, USA (LBL-X-100)

2.8 Transversal slicing system primary slots



Ref.	Part no.	Description
1	00652495	Primary slot STD
2	00652430	Primary slot CEPH
3	00326018	Screw M3x6 DIN 912

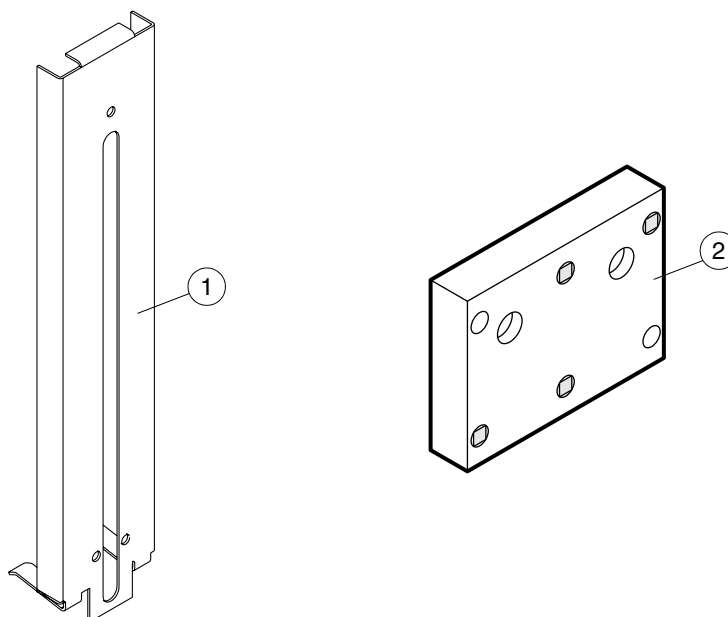
2.9 PC accessories



Ref.	Part no.	Description
1	00050880	Interconnection cable 10m
2	00637133	Planet grabber cable

Ref.	Part no.	Description
3	00665406	Image grabber 116-10-05
4	00665412	Dimaxis CD

2.10 Dimax alignment tools



Ref.	Part no.	Description
1	00653176	Dimax alignment tool adapter

Ref.	Part no.	Description
2	00665413	Calibration block

www.planmeca.com